



**CREASHADE**  
SUN SHADING SOLUTIONS

Pleated blinds

Edition 03.2011

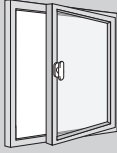
# TECHNICAL INFORMATION



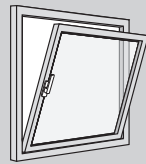
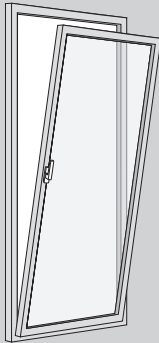
# TYPE OVERVIEW

## Vertical windows and doors

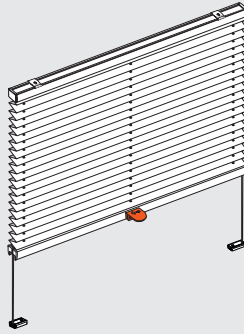
Tilt windows



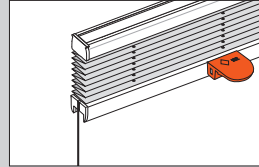
Tilt/turn windows



### Taut

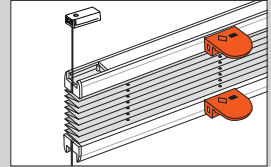


Hanging installed at the top



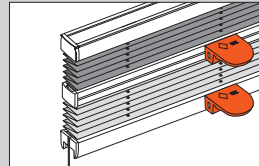
**Type** 11-8120  
Pages 8 to 9

Freely adjustable hanging



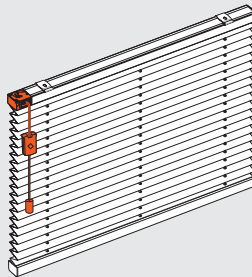
**Type** 11-8220  
Pages 8 to 9

2 hangings

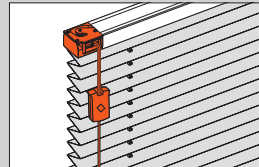


**Type** 11-8370  
Pages 8 to 9

### Free hanging

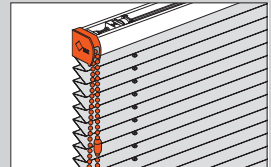


Pull cord



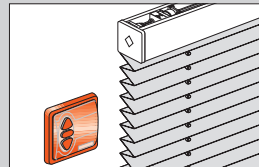
**Type** 11-8110  
Pages 10 to 11

Pull chain



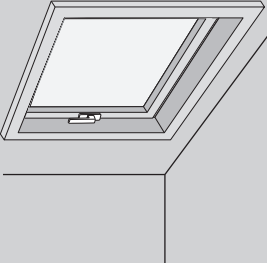
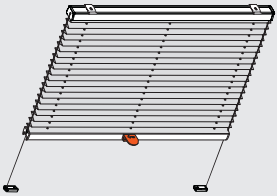
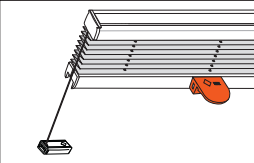
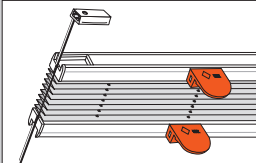
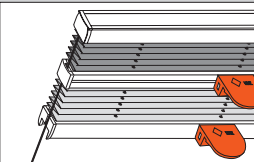
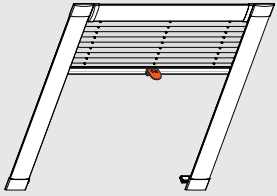
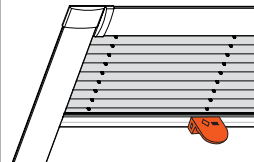
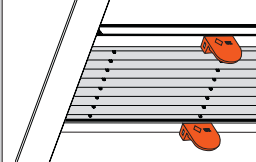
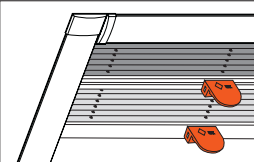
**Type** 11-8130  
Pages 12 to 13

24 V electric



**Type** 11-8140  
Pages 14 to 15

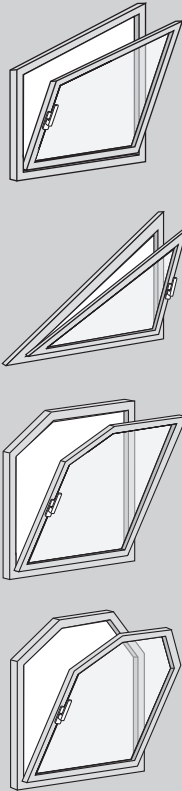
# TYPE OVERVIEW

| Skylights                                                                           |                                                                                                                      |                                                                                                                    |                                                                                                                  |
|-------------------------------------------------------------------------------------|----------------------------------------------------------------------------------------------------------------------|--------------------------------------------------------------------------------------------------------------------|------------------------------------------------------------------------------------------------------------------|
|    | <b>With tension wires</b>                                                                                            |                                                                                                                    |                                                                                                                  |
|                                                                                     |                                     | Hanging installed at the top<br> | Freely adjustable hanging<br> |
|                                                                                     |                                                                                                                      | <b>Type</b> <b>11-7120</b><br>Pages 18 to 19                                                                       | <b>Type</b> <b>11-7220</b><br>Pages 18 to 19                                                                     |
|                                                                                     |                                                                                                                      | 2 hangings<br>                   |                                                                                                                  |
|                                                                                     | <b>Type</b> <b>11-7370</b><br>Pages 18 to 19                                                                         |                                                                                                                    |                                                                                                                  |
|                                                                                     | <b>With side guiding profiles</b>                                                                                    |                                                                                                                    |                                                                                                                  |
|  | Hanging installed at the top<br> | Freely adjustable hanging<br> |                                                                                                                  |
|                                                                                     | <b>Type</b> <b>11-7122</b><br>Pages 20 to 21                                                                         | <b>Type</b> <b>11-7223</b><br>Pages 20 to 21                                                                       |                                                                                                                  |
|                                                                                     | 2 hangings<br>                   |                                                                                                                    |                                                                                                                  |
| <b>Type</b> <b>11-7372</b><br>Pages 20 to 21                                        |                                                                                                                      |                                                                                                                    |                                                                                                                  |

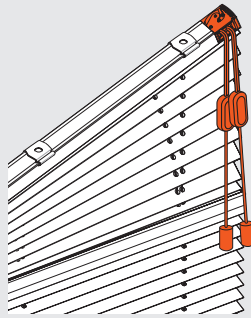
# TYPE OVERVIEW

## Vertical special shapes

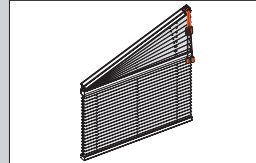
### Tilt/Turn function



### Free hanging

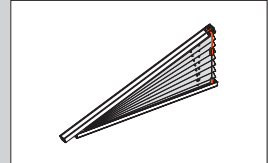


#### For sloping windows



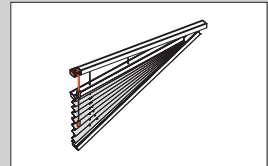
**Type** 11-8460  
**Type** 11-8465  
**Type** 11-8470  
 Pages 24 to 25

#### For triangular windows



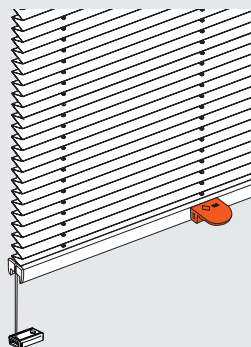
**Type** 11-8710  
 Pages 28 to 29

#### For triangular windows

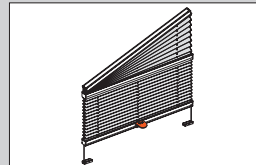


**Type** 11-8780  
 Pages 28 to 29

### Taut

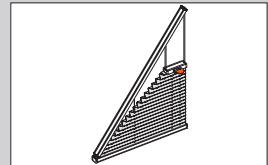


#### For sloping windows



**Type** 11-8550  
 Pages 26 to 27

#### For triangular windows



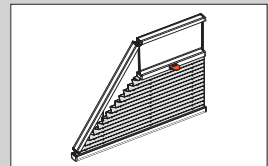
**Type** 11-8722  
 Pages 30 to 31

#### For triangular and trapezoid windows



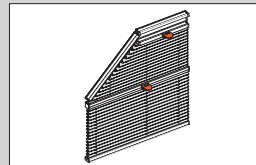
**Type** 11-8723  
**Type** 11-8923  
 Pages 30 to 33

#### For trapezoid windows



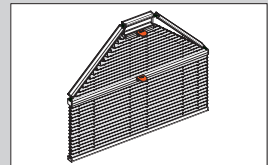
**Type** 11-8922  
 Pages 30 to 31

#### For pentagon windows



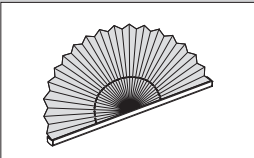
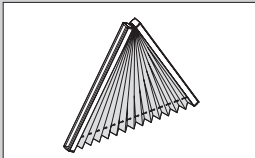
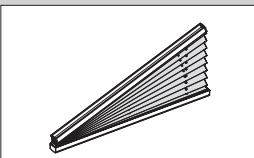
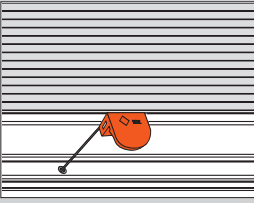
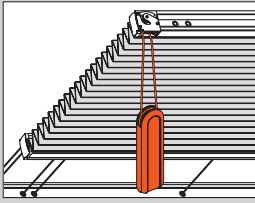
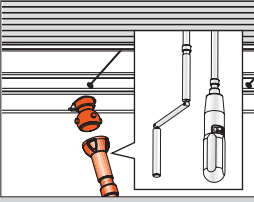
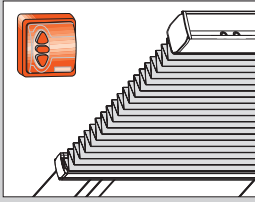
**Type** 11-8422  
 Pages 32 to 33

#### For hexagon windows



**Type** 11-8823  
 Pages 32 to 33

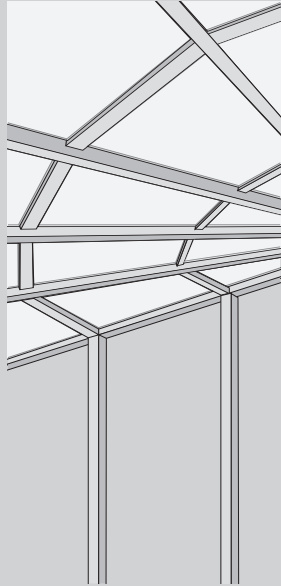
# TYPE OVERVIEW

| Vertical special shapes     |                    |                                                                                                                                    |                                                                                                                                     |
|-----------------------------|--------------------|------------------------------------------------------------------------------------------------------------------------------------|-------------------------------------------------------------------------------------------------------------------------------------|
| Fixed glazing               | Fixed              |                                                                                                                                    |                                                                                                                                     |
|                             |                    | For semicircular arches                                                                                                            | For triangular windows                                                                                                              |
|                             |                    |  <p><b>Type</b> 11-8600<br/>Pages 34 to 35</p>   |  <p><b>Type</b> 11-8709<br/>Pages 34 to 35</p>   |
|                             |                    | For triangular windows                                                                                                             |                                                                                                                                     |
|                             |                    |  <p><b>Type</b> 11-8700<br/>Pages 34 to 35</p>   |                                                                                                                                     |
| Ceilings and conservatories |                    |                                                                                                                                    |                                                                                                                                     |
| Standard shapes             | With tension wires |                                                                                                                                    |                                                                                                                                     |
|                             |                    | Operating rail                                                                                                                     | Pull cord                                                                                                                           |
|                             |                    |  <p><b>Type</b> 11-6120<br/>Pages 38 to 39</p> |  <p><b>Type</b> 11-6110<br/>Pages 38 to 39</p> |
|                             |                    | Crank or electric rod                                                                                                              | 24 V electric                                                                                                                       |
|                             |                    |  <p><b>Type</b> 11-6130<br/>Pages 40 to 41</p> |  <p><b>Type</b> 11-6140<br/>Pages 40 to 41</p> |

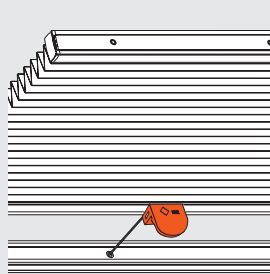
# TYPE OVERVIEW

## Ceilings and conservatories

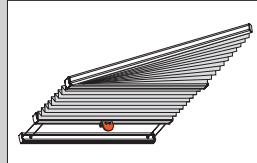
### Special shapes



### With tension wires

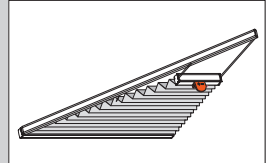


For sloping windows



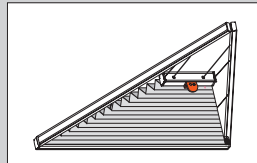
**Type** 11-6556  
Pages 42 to 43

For triangular windows



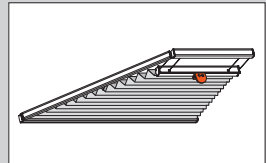
**Type** 11-6722  
Pages 44 to 45

For triangular and trapezoid windows



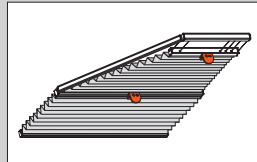
**Type** 11-6723  
**Type** 11-6923  
Pages 44 to 47

For trapezoid windows



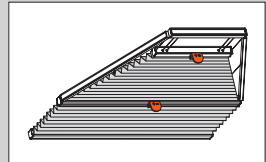
**Type** 11-6922  
Pages 44 to 45

For pentagon windows



**Type** 11-6422  
Pages 46 to 47

For hexagon windows



**Type** 11-6823  
Pages 46 to 47

## VERTICAL WINDOWS AND DOORS

Vertical  
windows  
and  
doors



Fabric colour (colour no.) 1-4028

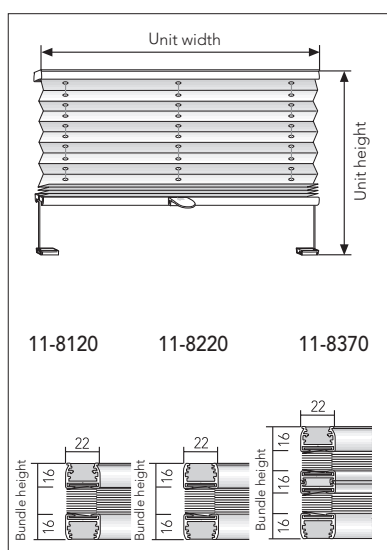
## TYPE 11-8120, 11-8220, 11-8370

**TYPE 11-8120** Taut MHZ pleated blinds with hanging installed at the top

**TYPE 11-8220** Taut MHZ pleated blinds with freely adjustable hanging

**TYPE 11-8370** Taut MHZ pleated blinds with two hangings

Individually adjustable hanging by moving the operating rails. Head, operating and bottom rail made from extruded aluminium. Pleated hanging in various qualities according to the MHZ collection. Colour of tension cords matches the hanging. Particularly suitable for glazing bead installation with tilt/turn windows. Parallel hanging guidance via laterally taut guiding cords.



### Technical data

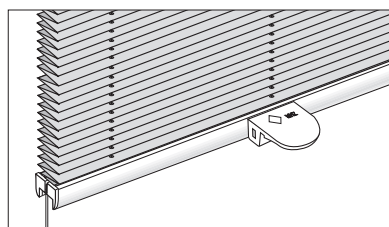
Dimensions: min. width 20 cm, max. width 120 cm, max. height 220 cm, from 120 cm to 150\* cm, max. height 150 cm

\* depends on the fabric width, see collection piece

Hardware colours: silver anodized (100), white powder-coated (171), black anodized (257), bronze anodized (372)

Pleat depth: Pleated fabrics 20 mm, Duette® Fixé fabrics 25 mm

| Bundle heights:                    | Unit height up to (cm) | 50 | 100 | 150 | 200 | 220 |
|------------------------------------|------------------------|----|-----|-----|-----|-----|
| 11-8120 bundle height approx. (cm) |                        | 4  | 5   | 6   | 7   | 8   |
| 11-8220 bundle height approx. (cm) |                        | 5  | 6   | 7   | 8   | 9   |
| 11-8370 bundle height approx. (cm) |                        | 7  | 9   | 10  | 11  | 12  |

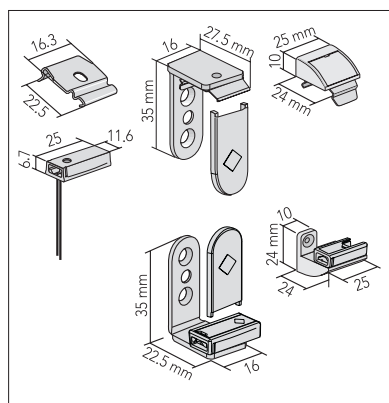


### Operation

Open and close via operating rails. Rails secured at any desired position. An operation rod is optionally available for difficult to reach units.

### Additional equipment

– for type 11-8120, 11-8220 aluminium grip, see MHZ price list on page 10.



### Installation

**11-8120, 11-8370:** Ceiling installation (standard) with clips and footplates.

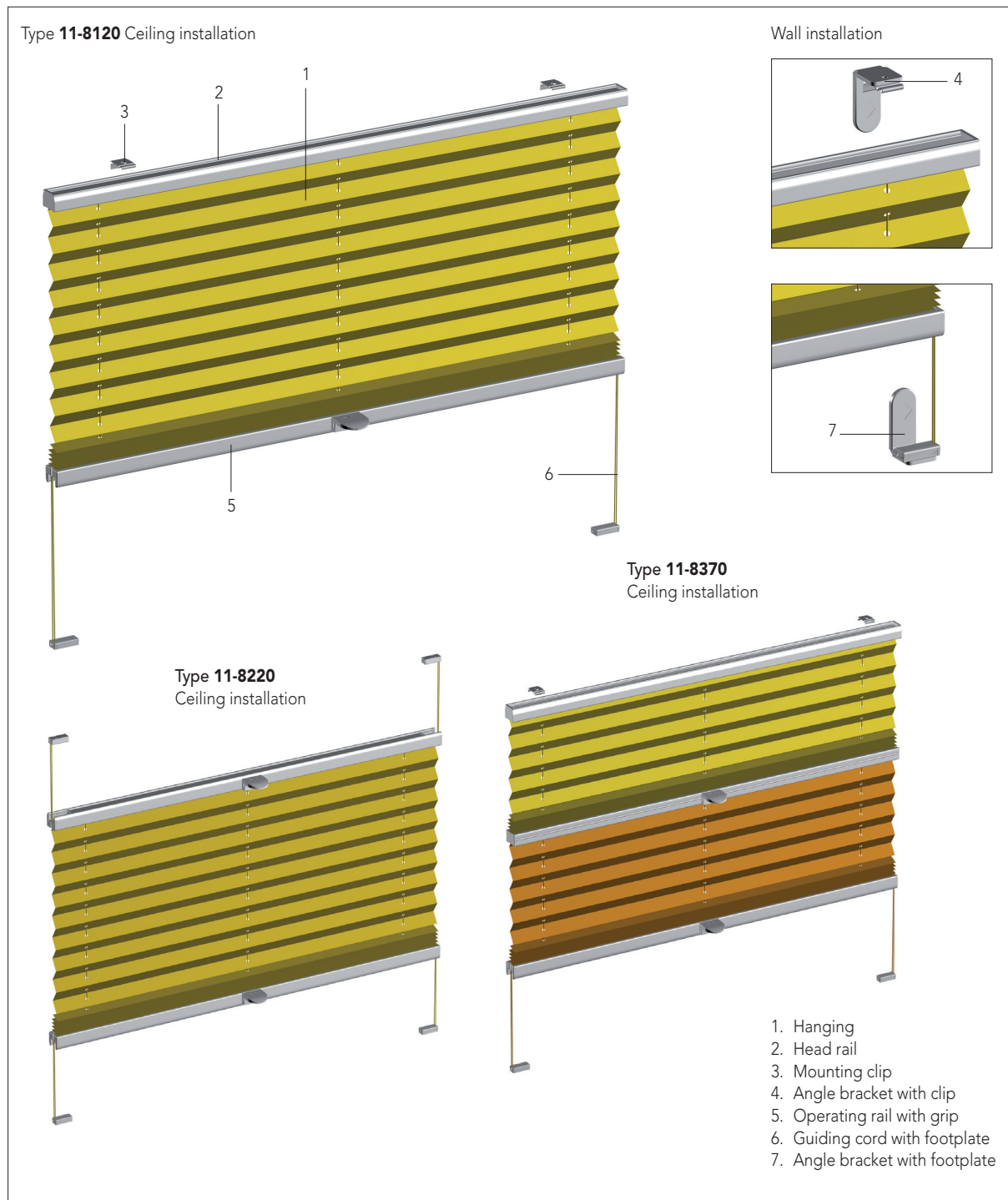
Wall installation with angle or glazing bead brackets for front installation and clamp brackets at surcharge.

Up to a width of 65 cm 2 brackets, above a width of 66 cm 3 brackets.

**11-8220:** Ceiling installation (standard) with footplate. Angle or glazing bead brackets for front installation and clamp brackets at surcharge. Refer to the MHZ price list, page 10 and 11, for brackets and accessories.

# TYPE ILLUSTRATION 11-8120, 11-8220, 11-8370

Vertical windows and doors



**Order details**

Type  
 Hardware colour (100, 171, 257, 372)  
 Width  
 Height  
 Fabric colour (colour no.)  
 Installation (ceiling/wall/clamp bracket/  
 glazing bead (front))

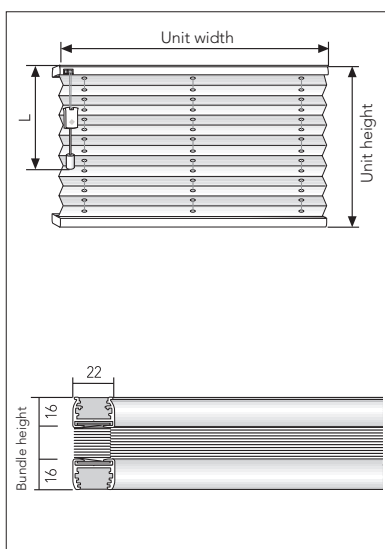
Refer to the MHZ price list, page 10 and 11, for surcharges and optional accessories.

Measuring + Ordering, see pages 56 – 61, order form on page 63

## TYPE 11-8110

**TYPE 11-8110** Free hanging MHZ pleated blinds with pull cord, optionally with side guide

Pull cord operation with integrated lateral cord brake. Head and bottom rail made from extruded aluminium. Pleated hanging in various qualities according to the MHZ collection, colour of the pull cords matches the hanging.



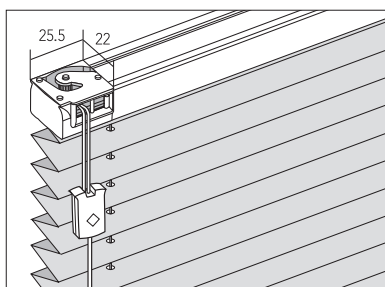
### Technical data

Dimensions: min. width 30 cm, max. width 220\* cm, max. height 260 cm  
\* depends on the fabric width, see collection piece

Hardware colours: silver anodized (100), white powder-coated (171), black anodized (257), bronze anodized (372)

Pleat depth: Pleated fabrics 20 mm, Duette® Fixé fabrics 25 mm

| Bundle heights: | Unit height up to (cm)     | 50 | 100 | 150 | 200 | 260 |
|-----------------|----------------------------|----|-----|-----|-----|-----|
|                 | Bundle height approx. (cm) | 4  | 5   | 6   | 7   | 8   |

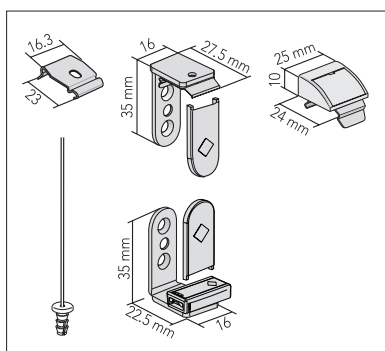


### Operation

Lift and lower with a pull cord, secured in position via the cord brake. Operation side left or right. Standard operation length (L) 100 cm, other heights available on request. Cord hooks included.

### Additional equipment

– Side guide runs through the first punched hole (5 cm from the outside)



### Installation

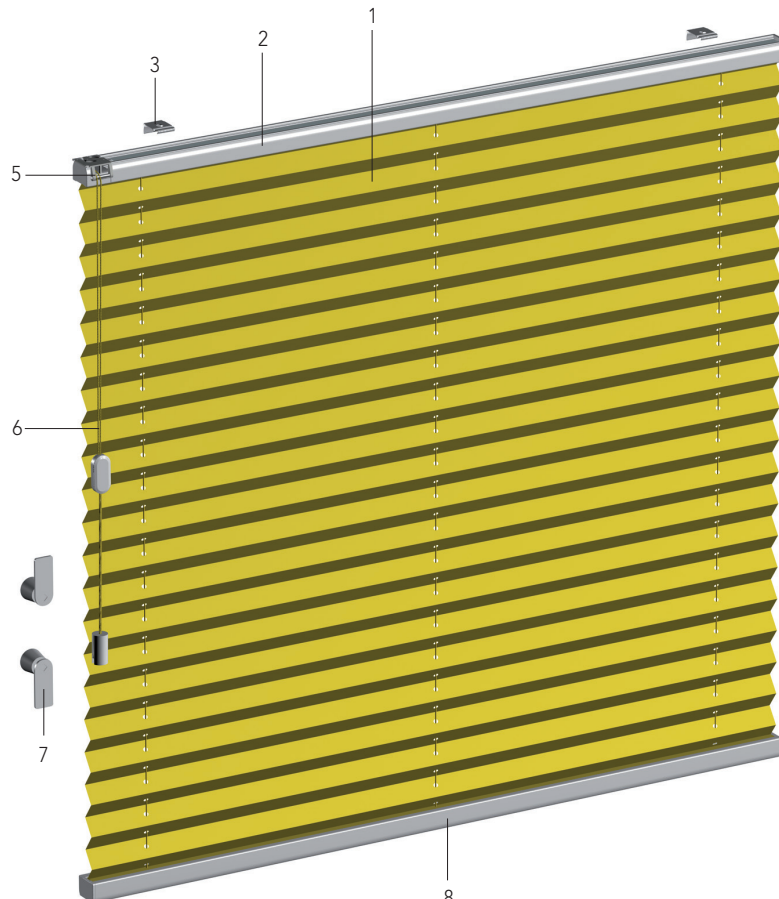
Ceiling installation (standard) with clips. Wall installation with angle or glazing bead brackets for front installation (not possible with side guide) and clamp brackets at surcharge.

Up to a width of 100 cm 2 brackets, above a width of 101 cm 3 brackets. Refer to the MHZ price list, page 16 and 17, for brackets and accessories.

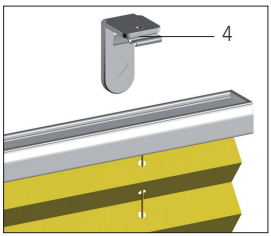
# TYPE ILLUSTRATION 11-8110

Vertical windows and doors

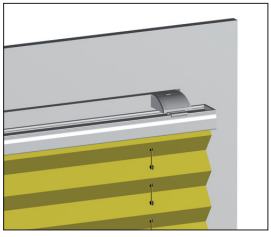
**Type 11-8110 Ceiling installation**



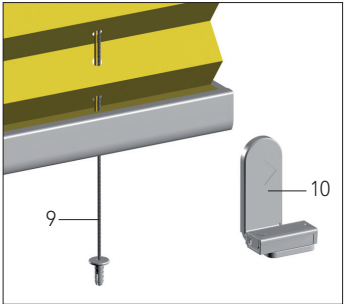
**Wall installation**



**Glazing bead installation (front)**



**Version with side guide**



1. Hanging
2. Head rail
3. Mounting clip
4. Angle bracket with clip
5. Cord brake
6. Pull cord
7. Cord hook
8. Bottom rail
9. Side guide with pin
10. Angle bracket with footplate

### Order details

Type  
 Hardware colour (100, 171, 257, 372)  
 Width  
 Height  
 Fabric colour (colour no.)  
 Installation (ceiling/wall/clamp bracket/  
 glazing bead (front))

Operation (left/right)  
 Operation length

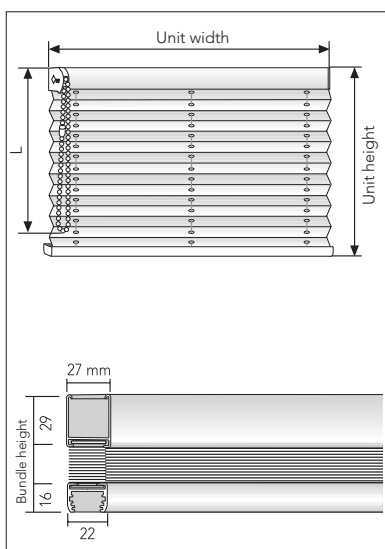
Refer to the MHZ price list, page 16 and 17, for surcharges and optional accessories.

**Measuring + Ordering, see pages 56 – 61, order form on page 63**

## TYPE 11-8130

**TYPE 11-8130** Free hanging MHZ pleated blinds with pull chain, optionally with side guide

Lateral gear with chain operation, chain exit at the front. Head and bottom rail made from extruded aluminium. Pleated hanging in various qualities according to the MHZ collection, colour of the pull cords matches the hanging.



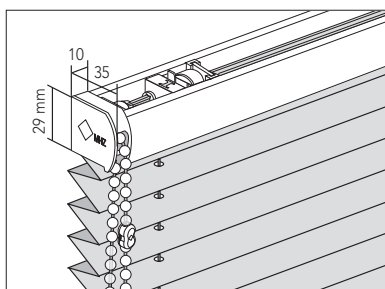
### Technical data

Dimensions: min. width 40 cm, max. width 230\* cm, max. height 260 cm  
\* depends on the fabric width, see collection piece

Hardware colours: silver anodized (100), white powder-coated (171), black anodized (257), bronze anodized (372)

Pleat depth: Pleated fabrics 20 mm, Duette® Fixé fabrics 25 mm

| Bundle heights: | Unit height up to (cm)     | 50 | 100 | 150 | 200 | 260 |
|-----------------|----------------------------|----|-----|-----|-----|-----|
|                 | Bundle height approx. (cm) | 5  | 6   | 7   | 8   | 9   |



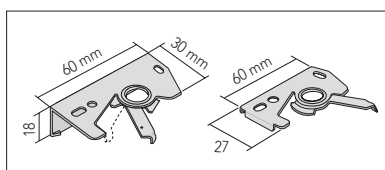
### Operation

Lift and lower via operating chain. Hanging secured automatically. Operation side left or right.

Min. operation length (L) at least 100 cm, then approx. 2/3 of the unit height, other lengths available on request. Chain retainer included.

### Additional equipment

– Side guide runs through the separate punched hole (2 cm from the outside)

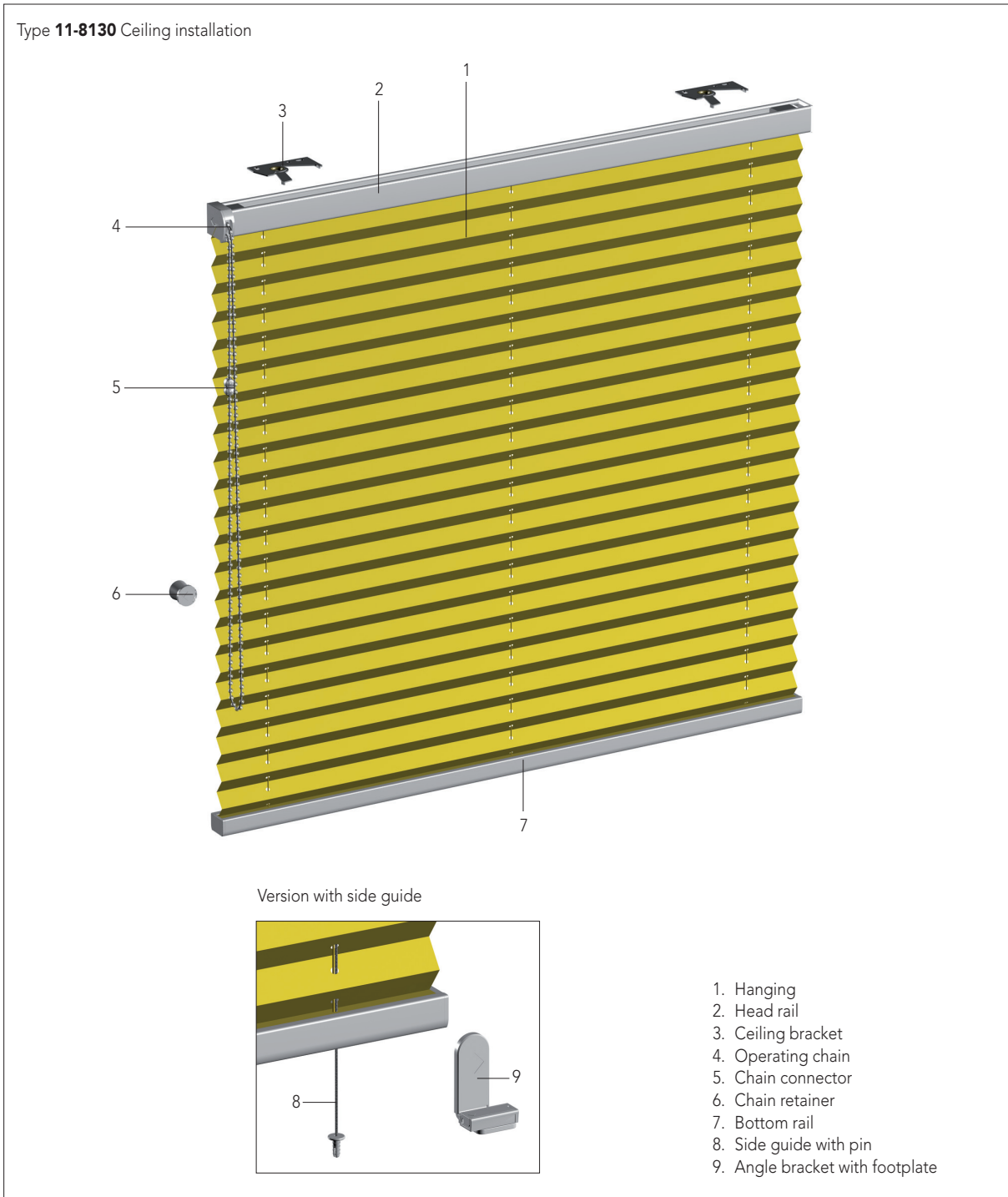


### Installation

Wall and ceiling installation with tension lever brackets. Up to a width of 150 cm 2 brackets, above a width of 151 cm 3 brackets. Refer to the MHZ price list, page 22 and 23, for brackets and accessories.

# TYPE ILLUSTRATION 11-8130

Vertical windows and doors



### Order details

Type  
 Hardware colour (100, 171, 257, 372)  
 Width  
 Height  
 Fabric colour (colour no.)  
 Installation (ceiling/wall/clamp bracket)  
 Operation (left/right)  
 Operation length

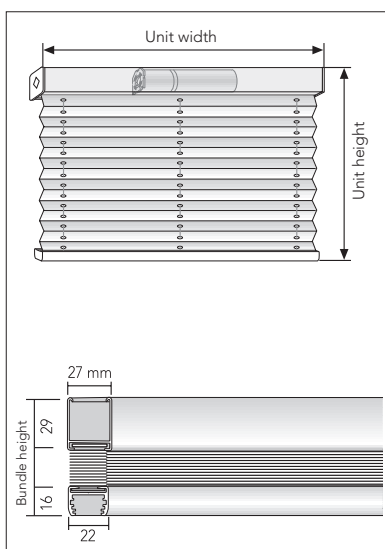
Refer to the MHZ price list, page 22 and 23, for surcharges and optional accessories.

**Measuring + Ordering, see pages 56 – 61, order form on page 63**

## TYPE 11-8140

**TYPE 11-8140** Free hanging MHZ pleated blinds electric, optionally available with side guide

24 V electric drive, in the middle of the head rail, with automatic end position switch-off. Individual or group operation. Head and bottom rail made from extruded aluminium. Pleated hanging in various qualities according to the MHZ collection. Not suitable for damp locations.



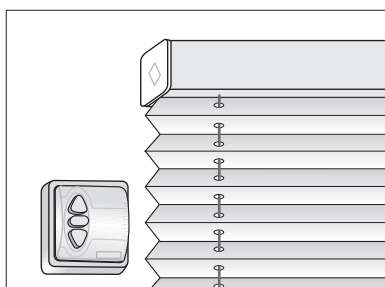
### Technical data

Dimensions: min. width 75 - 95 cm, max. height 170 cm,  
width 95 cm - max. 230\* cm, max. height 260 cm  
\* depends on the fabric width, see collection piece

Hardware colours: silver anodized (100), white powder-coated (171),  
black anodized (257), bronze anodized (372)

Pleat depth: Pleated fabrics 20 mm, Duette® Fixé fabrics 25 mm

| Bundle heights: | Unit height up to (cm)     | 100 | 150 | 200 | 260 |
|-----------------|----------------------------|-----|-----|-----|-----|
|                 | Bundle height approx. (cm) | 6   | 7   | 8   | 9   |

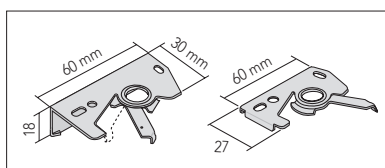


### Operation

Lift and lower via electric drive. Various control options due to push-button switch, radio remote control, timer and light sensor. See chapter control options and accessories for further information. Refer to the separate price sheet for electric accessories.

### Additional equipment

– Side guide runs through the separate punched hole (2 cm from the outside)



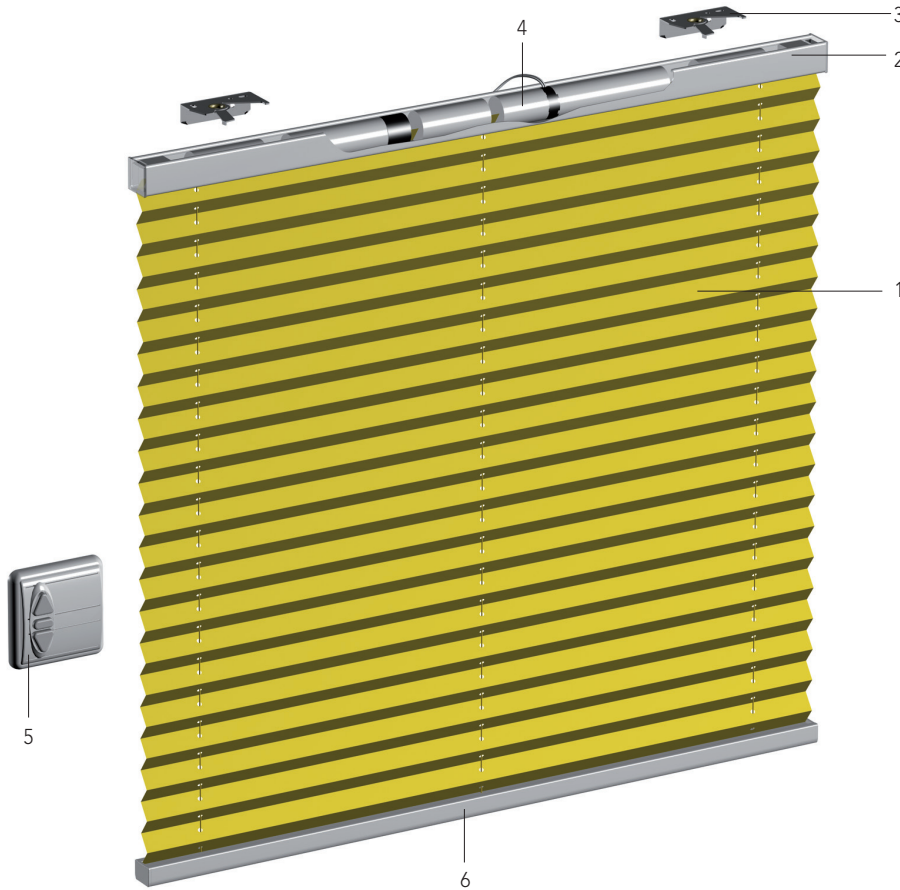
### Installation

Wall and ceiling installation with tension lever brackets. Up to a width of 150 cm 2 brackets, above a width of 151 cm 3 brackets. Refer to the MHZ price list, page 22 and 23, for brackets and accessories.

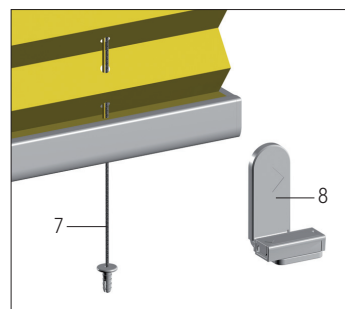
# TYPE ILLUSTRATION 11-8140

Vertical windows and doors

Type **11-8140** Wall installation



Version with side guide



- 1. Hanging
- 2. Head rail
- 3. Wall bracket
- 4. 24 V electric drive
- 5. Switch combination, not included
- 6. Bottom rail
- 7. Side guide with pin
- 8. Angle bracket with footplate

### Order details

Type  
 Hardware colour (100, 171, 257, 372)  
 Width  
 Height  
 Fabric colour (colour no.)  
 Installation (ceiling/wall/clamp bracket)

Refer to the MHZ price list, page 22 and 23, for surcharges and optional accessories.

Measuring + Ordering, see pages 56-61, order form on page 63



# SKYLIGHTS



Skylights

Fabric colour (colour no.) A-4199

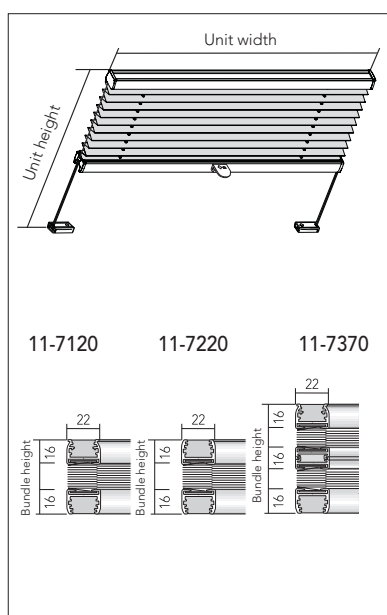
## TYPE 11-7120, 11-7220, 11-7370

**TYPE 11-7120** MHZ pleated blinds for skylights with hanging installed at the top

**TYPE 11-7220** MHZ pleated blinds for skylights with freely adjustable hanging

**TYPE 11-7370** MHZ pleated blinds for skylights with two hangings

Individually adjustable hanging by moving the operating rails. Head and bottom rail made from extruded aluminium. Pleated hanging in various qualities according to the MHZ collection. Colour of tension cords matches the hanging. Lateral, black sheathed tension wires guide the pleated blinds parallel to the skylight.



### Technical data

Dimensions: min. width 20 cm, max. width 150\* cm, max. height 150 cm  
\* depends on the fabric width, see collection piece

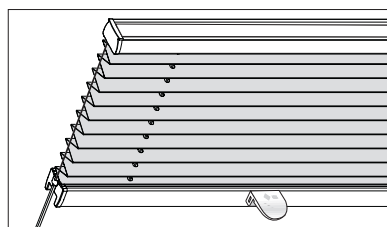
Hardware colours: silver anodized (100), white powder-coated (171), black anodized (257), bronze anodized (372)

Pleat depth: Pleated fabrics 20 mm, Duette® Fixé fabrics 25 mm

| Bundle heights: Unit height up to (cm) | 50 | 100 | 150 |
|----------------------------------------|----|-----|-----|
| 11-7120 bundle height approx. (cm)     | 4  | 5   | 6   |
| 11-7220 bundle height approx. (cm)     | 5  | 6   | 7   |
| 11-7370 bundle height approx. (cm)     | 7  | 9   | 10  |

Note:

- Thanks to the VELUX system brackets, the light gap is approx. 8 mm on each side for VELUX windows
- Depending on the model, the light gap for Braas/Dörken windows can be approx. 5 or 11 mm on each side, refer to the MHZ price list, page 32

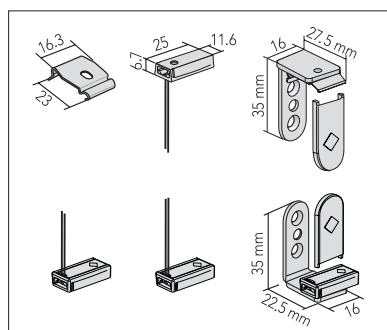


### Operation

Open and close via operating rails. Rails secured at any desired position. An operation rod is optionally available for difficult to reach units.

### Additional equipment

– for type 11-7120, 11-7220 aluminium grip, see MHZ price list, page 36.

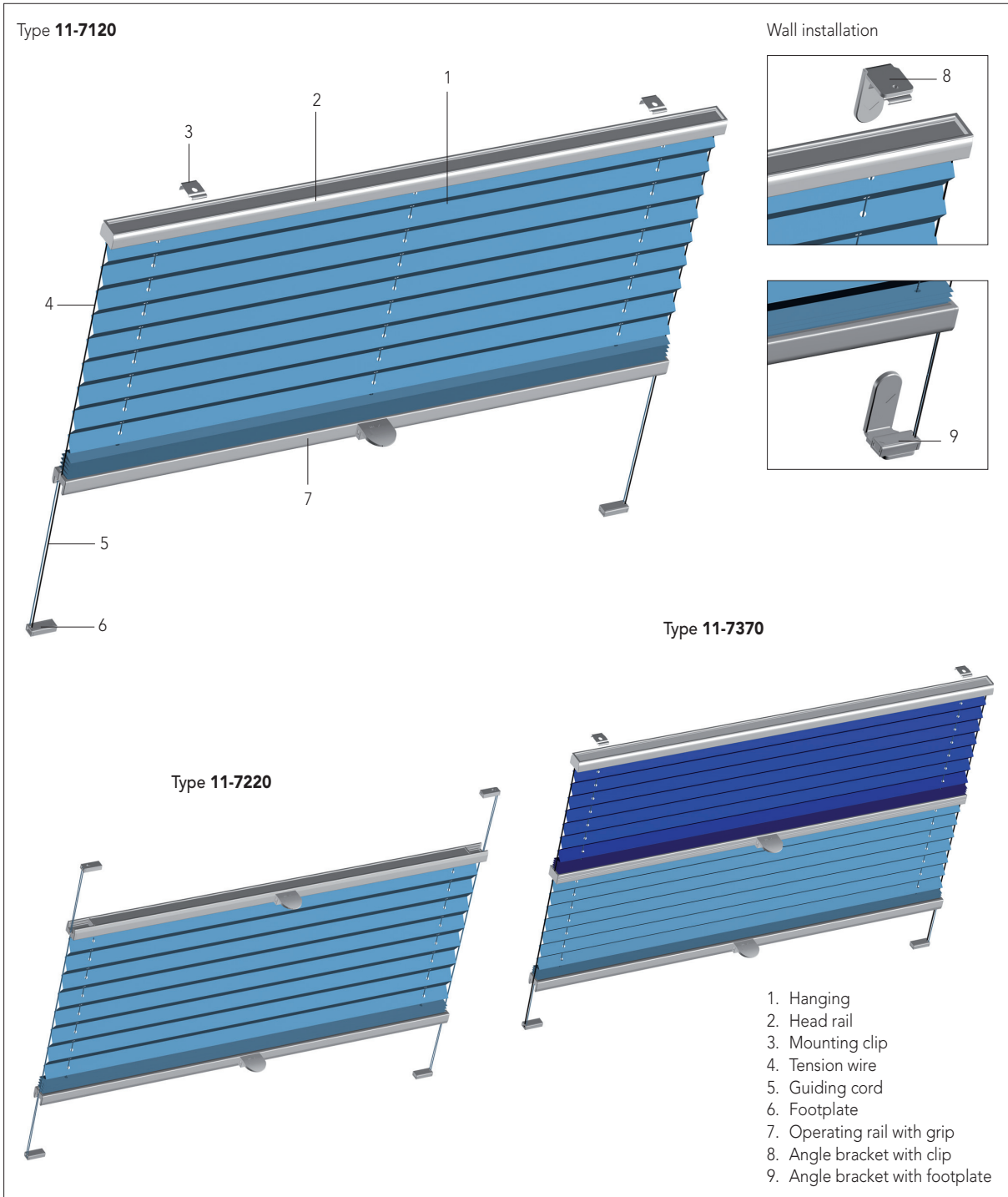


### Installation

**11-7120, 11-7370:** Ceiling installation (standard) with clips. Wall installation with angle brackets at surcharge. Up to a width of 65 cm 2 brackets, above a width of 66 cm 3 brackets.

**11-7220:** Ceiling installation (standard) with footplate. Wall installation with angle brackets at surcharge. Refer to the MHZ price list, page 36 and 37, for brackets and accessories.

# TYPE ILLUSTRATION 11-7120, 11-7220, 11-7370



Skylights

### Order details

Type  
 Hardware colour (100, 171, 257, 372)  
 Skylight manufacturer (e.g. VELUX, ROTO)  
 Skylight model (e.g. WDF 848 9/11)  
 Frame material (Wood H, plastic K)  
 (Refer to Measuring + Ordering, page 58, for unknown skylight models)

Width (sash width front edge)  
 Height (sash height front edge)  
 Fabric colour (colour no.)

Refer to the MHZ price list, page 36 and 37, for surcharges and optional accessories.

Measuring + Ordering, see pages 56-61, order form on page 63

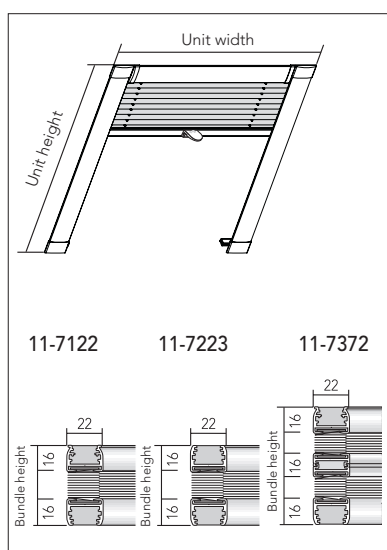
## TYPE 11-7122, 11-7223, 11-7372

**TYPE 11-7122** MHZ pleated blinds for skylights with hanging installed at the top and side guiding profiles

**TYPE 11-7223** MHZ pleated blinds for skylights with freely adjustable hanging and side guiding profiles

**TYPE 11-7372** MHZ pleated blinds for skylights with two hangings and side guiding profiles

Individually adjustable hanging by moving the operating rails. Head and bottom rails and side guiding profiles made from extruded aluminium. Pleated hanging in various qualities according to the MHZ collection. Colour of tension cords matches the hanging. Side guiding profiles for covering the lateral light gap.



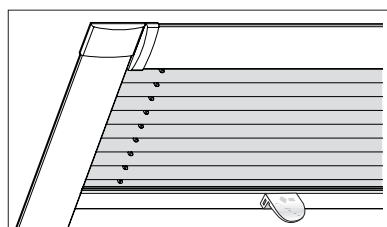
### Technical data

Dimensions: min. width 20 cm, max. width 150\* cm, max. height 150 cm  
\* depends on the fabric width, see collection piece

Hardware colours: silver anodized (100), white powder-coated (171)

Pleat depth: Pleated fabrics 20 mm, Duette® Fixé fabrics 25 mm

| Bundle heights: Unit height up to (cm) | 50 | 100 | 150 |
|----------------------------------------|----|-----|-----|
| 11-7122 bundle height approx. (cm)     | 7  | 8   | 9   |
| 11-7223 bundle height approx. (cm)     | 5  | 6   | 7   |
| 11-7372 bundle height approx. (cm)     | 7  | 9   | 10  |

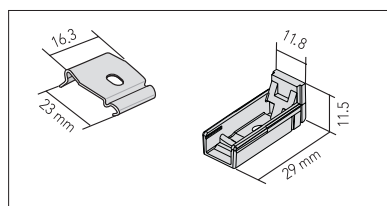


### Operation

Open and close via operating rails. Rails secured at any desired position. An operation rod is optionally available for difficult to reach units.

### Additional equipment

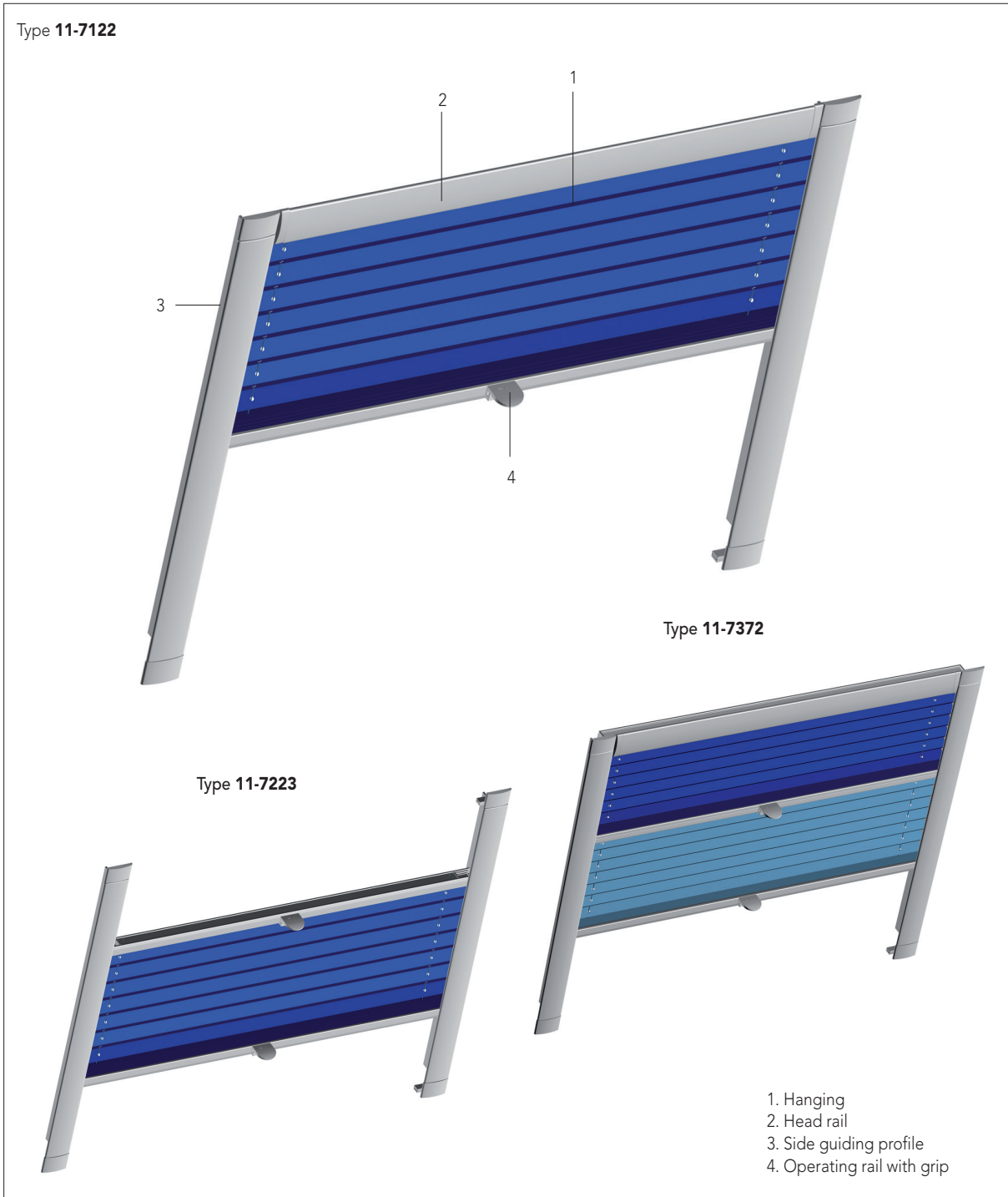
– for type 11-7122, 11-7223 aluminium grip, see MHZ price list, page 40.



### Installation

Mounting via skylight brackets. Screw the side guiding profiles to the side of the frame. Refer to the MHZ price list, page 40, for further accessories.

# TYPE ILLUSTRATION 11-7122, 11-7223, 11-7372



Skylights

## Order details

Type  
 Hardware colour (100, 171)  
 Skylight manufacturer (e.g. VELUX, ROTO)  
 Skylight model (e.g. WDF 848 9/11)  
 Frame material (Wood H, plastic K)  
 (Refer to Measuring + Ordering, page 58, for unknown skylight models)

Width (sash width front edge)  
 Height (height of window sash front edge)  
 Fabric colour (colour no.)

Refer to the MHZ price list, page 40, for surcharges and optional accessories.

Measuring + Ordering, see pages 56-61, order form on page 63



# VERTICAL SPECIAL SHAPES



Vertical special shapes

Fabric colour (colour no.) 1-4047

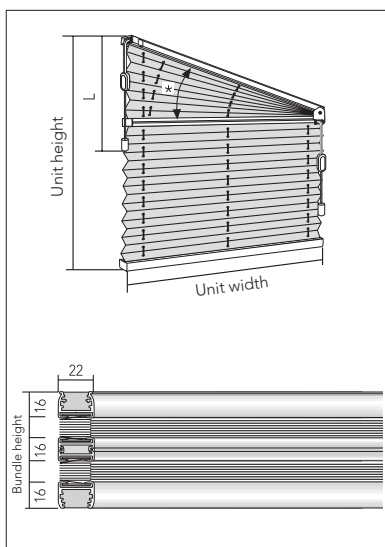
## TYPE 11-8460, 11-8465, 11-8470

**TYPE 11-8460** Free hanging MHZ pleated blinds for sloping windows up to 60°, two pull cords, at the top, without cord brakes, with band steel hinge

**TYPE 11-8465** Free hanging MHZ pleated blinds for sloping windows up to 60°, two pull cords, at the bottom, vertical area with cord brake, triangular area without cord brake

**TYPE 11-8470** Free hanging MHZ pleated blinds for sloping windows up to 60°, two pull cords (one on each side) with hinge and cord brakes

Pull cord operation. Hanging can also be opened in the slant. Head, centre and bottom rail made from extruded aluminium. Pleated hanging in various qualities according to the MHZ collection. Colour of pull cords matches the hanging.



### Technical data

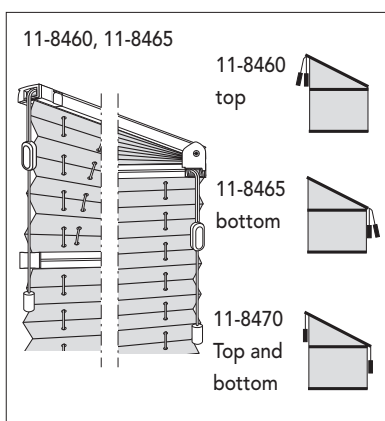
Dimensions: min. width 30 cm, max. width 150\* cm, max. height 260 cm  
\* depends on the fabric width, see collection piece

Unit angle: 5° to 60°

Hardware colours: silver anodized (100), white powder-coated (171), black anodized (257), bronze anodized (372)

Pleat depth: Pleated fabrics 20 mm, Duette® Fixé fabrics 25 mm

| Bundle heights: | Unit height up to (cm)     | 50 | 100 | 150 | 200 | 260 |
|-----------------|----------------------------|----|-----|-----|-----|-----|
|                 | Bundle height approx. (cm) | 5  | 7   | 8   | 10  | 11  |



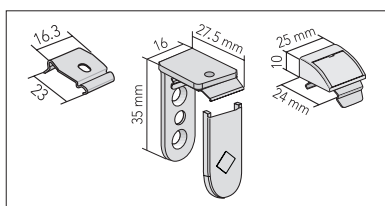
### Operation

Type 11-8460: Lift and lower with two pull cords without cord brakes. The hanging is secured in position by wrapping the cord around the cord hooks. Top operation side.

Type 11-8465: Lift and lower with two pull cords, in the vertical area secured in position via cord brake, in the triangular area without cord brake, secured in position by wrapping the cord around the cord hooks, bottom operation side.

Type 11-8470: Lift and lower with a pull cord, secured in position via the cord brake. Top and bottom operation side.

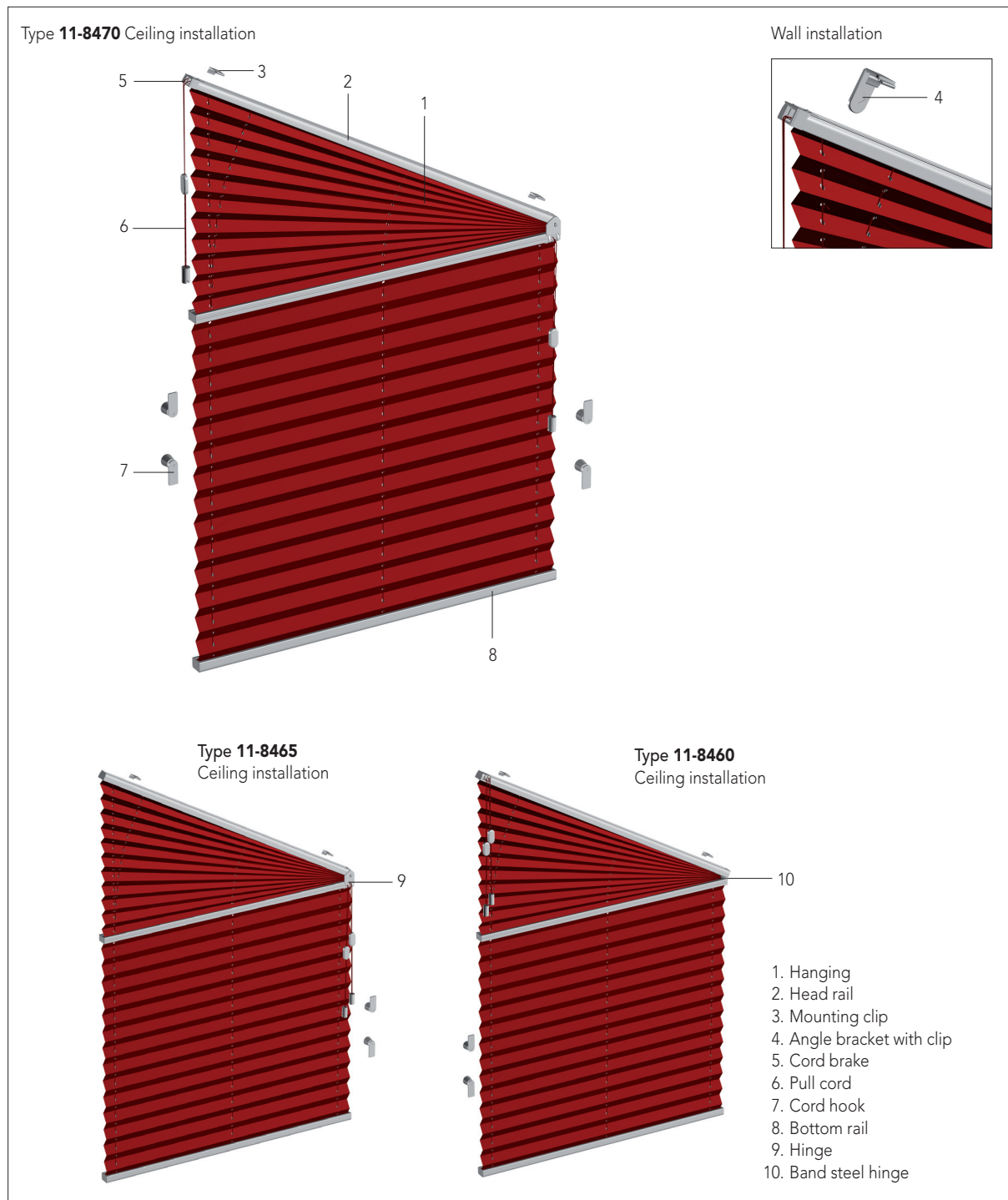
Standard operation length (L) 100 cm, other heights available on request. Cord hooks included.



### Installation

Ceiling installation (standard) with clips. Wall installation with angle or glazing bead brackets for front installation and clamp brackets at surcharge. Up to a width of 99 cm 2 brackets, above a width of 100 cm 3 brackets. Refer to the MHZ price list, page 45 and 46, for brackets and accessories.

# TYPE ILLUSTRATION 11-8460, 11-8465, 11-8470



Vertical special shapes

### Order details

Type  
 Hardware colour (100, 171, 257, 372)  
 Ordering measurements (clear dimensions in cm)  
 Fabric colour (colour no.)  
 Installation (ceiling/wall/clamp bracket/  
 glazing bead (front))  
 Operation length

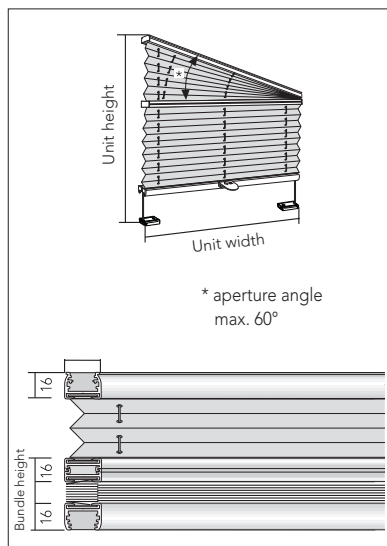
Refer to the MHZ price list, page 45 and 46, for surcharges and optional accessories.

Measuring + Ordering, see pages 56 – 61, order form on page 63

## TYPE 11-8550

**TYPE 11-8550** Taut MHZ pleated blinds for sloping windows up to 60° aperture angle

Adjust the hanging height by moving the operating rail. Only the rectangular part of the hanging can be opened. Head, centre and bottom rail made from extruded aluminium. Pleated hanging in various qualities according to the MHZ collection. Colour of tension cords matches the hanging. Particularly suitable for glazing bead installation with tilt/turn windows. Parallel hanging guidance via laterally taut guiding cords.



### Technical data

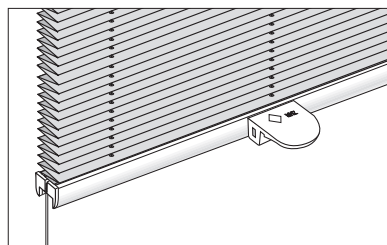
Dimensions: min. width 30 cm, max. width 120\* cm, max. height 220 cm

\* depends on the fabric width, see collection piece

Hardware colours: silver anodized (100), white powder-coated (171), black anodized (257), bronze anodized (372)

Pleat depth: Pleated fabrics 20 mm, Duette® Fixé fabrics 25 mm

| Bundle heights: Unit height up to (cm) | 50 | 100 | 150 | 220 |
|----------------------------------------|----|-----|-----|-----|
| Bundle height approx. (cm)             | 5  | 6   | 7   | 8   |



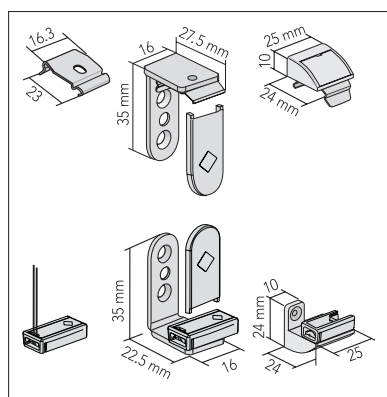
### Operation

Open and close via operating rail. Rail secured at any desired position.

Only the rectangular part of the hanging can be opened. An operation rod is optionally available for difficult to reach units.

### Additional equipment

– Refer to the MHZ price list, page 45, for aluminium grip.



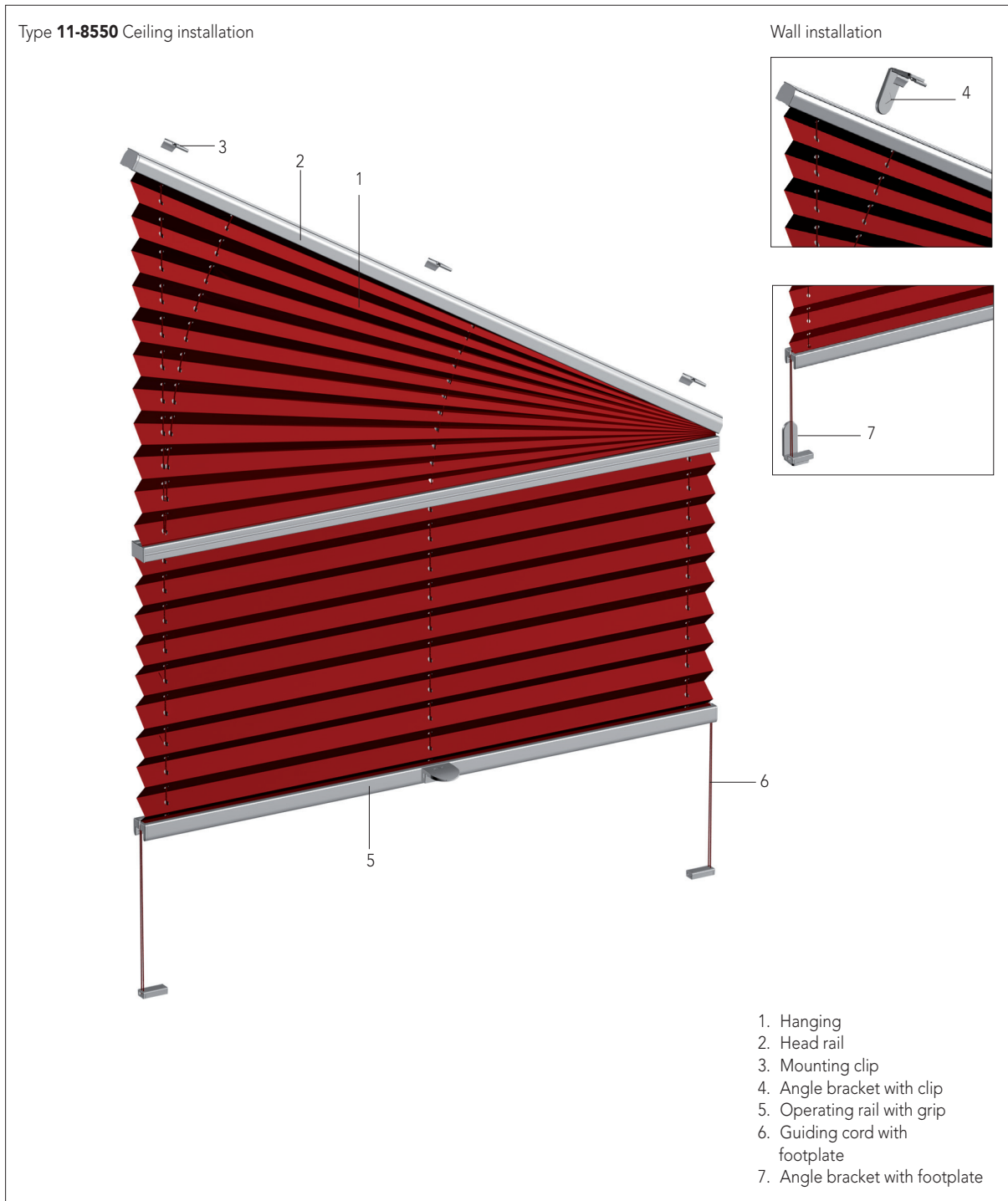
### Installation

Ceiling installation (standard) with clips. Wall installation with angle or glazing bead brackets for front installation and clamp brackets at surcharge.

Up to a width of 64 cm 2 brackets, above a width of 65 cm 3 brackets.

Refer to the MHZ price list, page 45 and 46, for brackets and accessories.

# TYPE ILLUSTRATION 11-8550



Vertical special shapes

### Order details

Type  
 Hardware colour (100, 171, 257, 372)  
 Ordering measurements (clear dimensions in cm)  
 Fabric colour (colour no.)  
 Installation (ceiling/wall/clamp bracket/  
 glazing bead (front))

Refer to the MHZ price list, page 45 and 46, for surcharges and optional accessories.

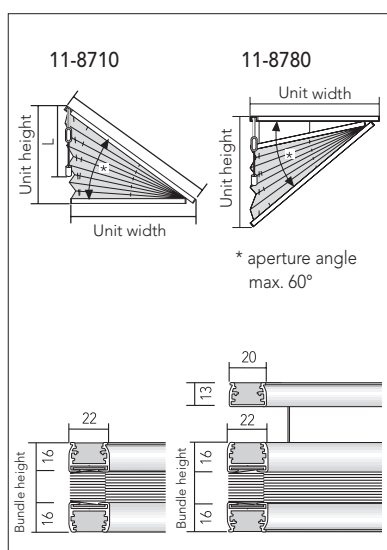
Measuring + Ordering, see pages 56 – 61, order form on page 63

## TYPE 11-8710, 11-8780

**TYPE 11-8710** Free hanging MHZ pleated blinds with pull cord for triangular windows, aperture angle up to 60°, hanging opens upwards

**TYPE 11-8780** Free hanging MHZ pleated blinds with pull cord for triangular windows, aperture angle up to 60°, hanging opens downwards

Pull cord operation with integrated, lateral cord brake. Head and bottom rail made from extruded aluminium. Pleated hanging in various qualities according to the MHZ collection. Colour of pull cords matches the hanging.



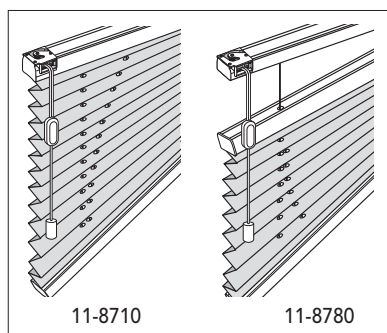
### Technical data

Dimensions: min. width 50 cm, max. width 150\* cm, max. height 100 cm  
\* depends on the fabric width, see collection piece

Hardware colours: silver anodized (100), white powder-coated (171), black anodized (257), bronze anodized (372)

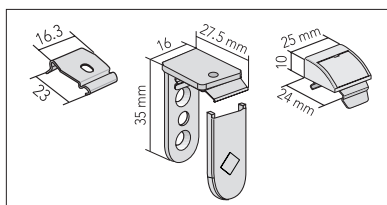
Pleat depth: Pleated fabrics 20 mm, Duette® Fixé fabrics 25 mm

| Bundle heights: Unit height up to (cm) | 50 | 100 |
|----------------------------------------|----|-----|
| 11-8710 bundle height approx. (cm)     | 4  | 5   |
| 11-8780 bundle height approx. (cm)     | 6  | 7   |



### Operation

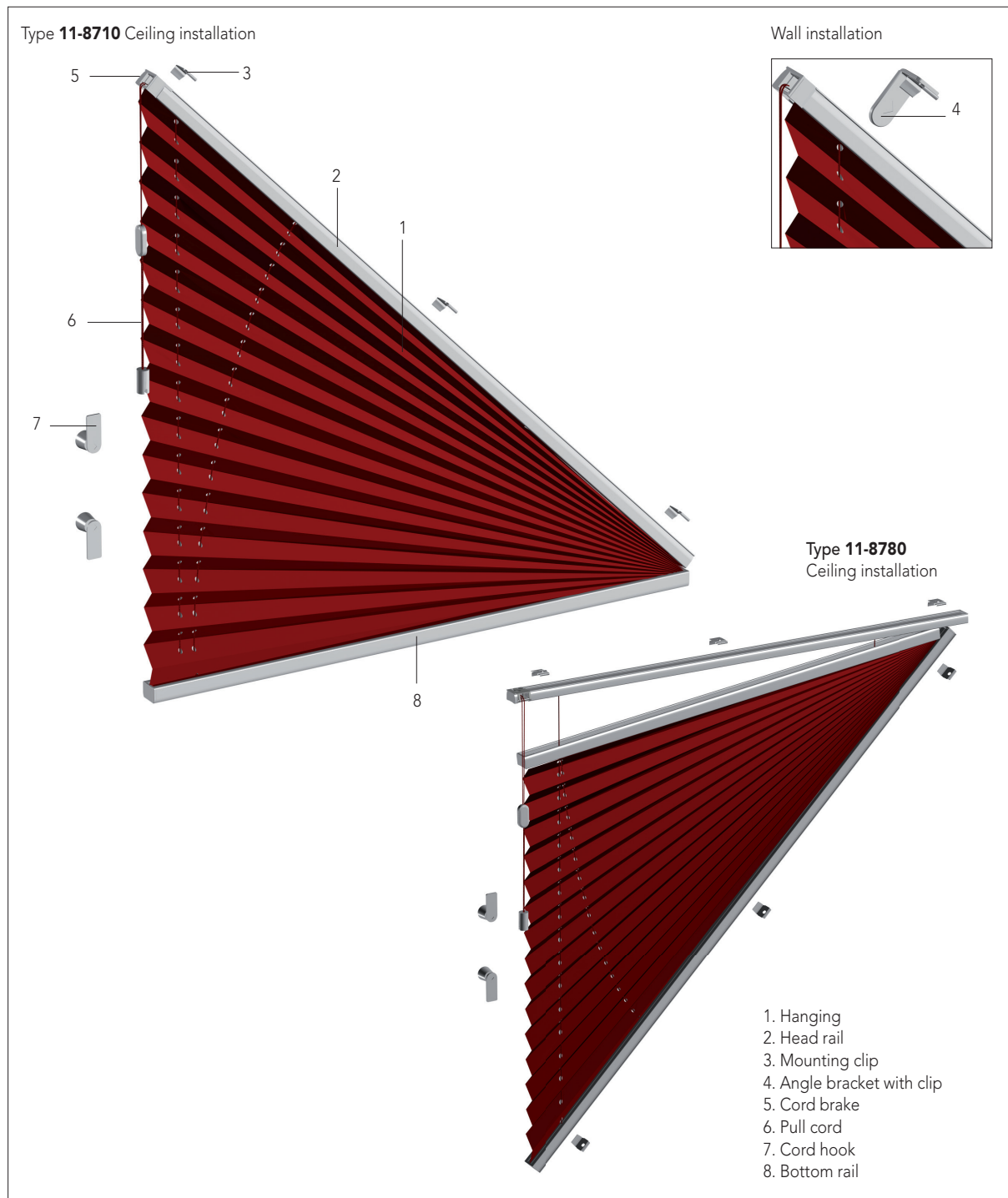
Lift and lower with a pull cord, secured in position via the cord brake. Operation side left or right. With type **11-8710** operation is only possible at the high side. Standard operation length (L) 100 cm, other heights available on request. Cord hooks included.



### Installation

Ceiling installation (standard) with clips. Wall installation with angle or glazing bead brackets for front installation and clamp brackets at surcharge. With type 11-8710, 3 brackets per unit. With type 11-8780, 6 brackets per unit. Refer to the MHZ price list, page 50, for brackets and accessories.

# TYPE ILLUSTRATION 11-8710, 11-8780



Vertical special shapes

### Order details

Type  
 Hardware colour (100, 171, 257, 372)  
 Ordering measurements (clear dimensions in cm)  
 Fabric colour (colour no.)  
 Installation (ceiling/wall/clamp bracket/  
 glazing bead (front))  
 Operation (left/right)  
 Operation length

Refer to the MHZ price list, page 50, for surcharges and optional accessories.

**Measuring + Ordering, see pages 56 – 61, order form on page 63**

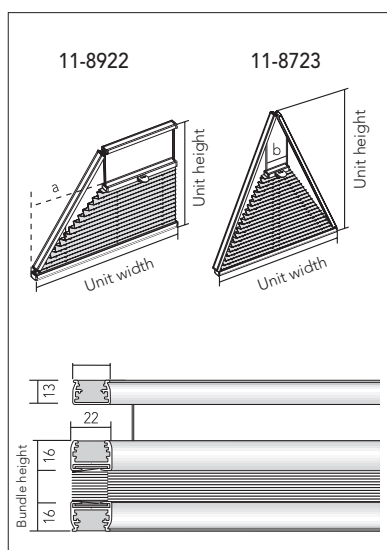
## TYPE 11-8722, 11-8723, 11-8922

**TYPE 11-8722** Taut MHZ pleated blinds for rectangular triangular windows

**TYPE 11-8723** Taut MHZ pleated blinds for triangular windows

**TYPE 11-8922** Taut MHZ pleated blinds for trapezoid windows with a right angle

Adjust the hanging height by moving the operating rail. Head, side, operating and bottom rails made from extruded aluminium. Pleated hanging in various qualities according to the MHZ collection. Colour of tension cords matches the hanging. Due to technical reasons, tip (b = 7 cm) remains unoccupied for types 11-8722 and 11-8723.



### Technical data

Dimensions: **11-8722, 11-8723** min. width 30 cm, max. width 120\* cm, max. height 200 cm

**11-8922** min. width 20 cm, max. width 150\* cm, max. height 200 cm

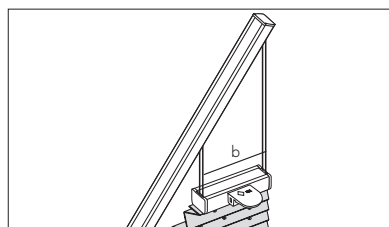
max. distance (a) 120 cm

\* depends on the fabric width, see collection piece

Hardware colours: silver anodized (100), white powder-coated (171), black anodized (257), bronze anodized (372)

Pleat depth: Pleated fabrics 20 mm, Duette® Fixé fabrics 25 mm

| Bundle heights: | Unit height up to (cm)     | 50 | 100 | 150 | 200 |
|-----------------|----------------------------|----|-----|-----|-----|
|                 | Bundle height approx. (cm) | 6  | 7   | 8   | 9   |



### Operation

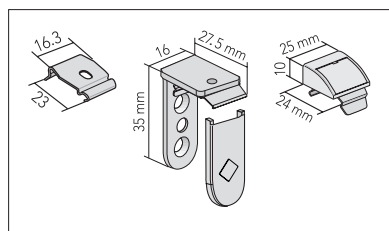
Open and close via operating rail.

Rail secured at any desired position.

An operation rod is optionally available for difficult to reach units.

### Additional equipment

– Refer to the MHZ price list, page 55, for aluminium grip.

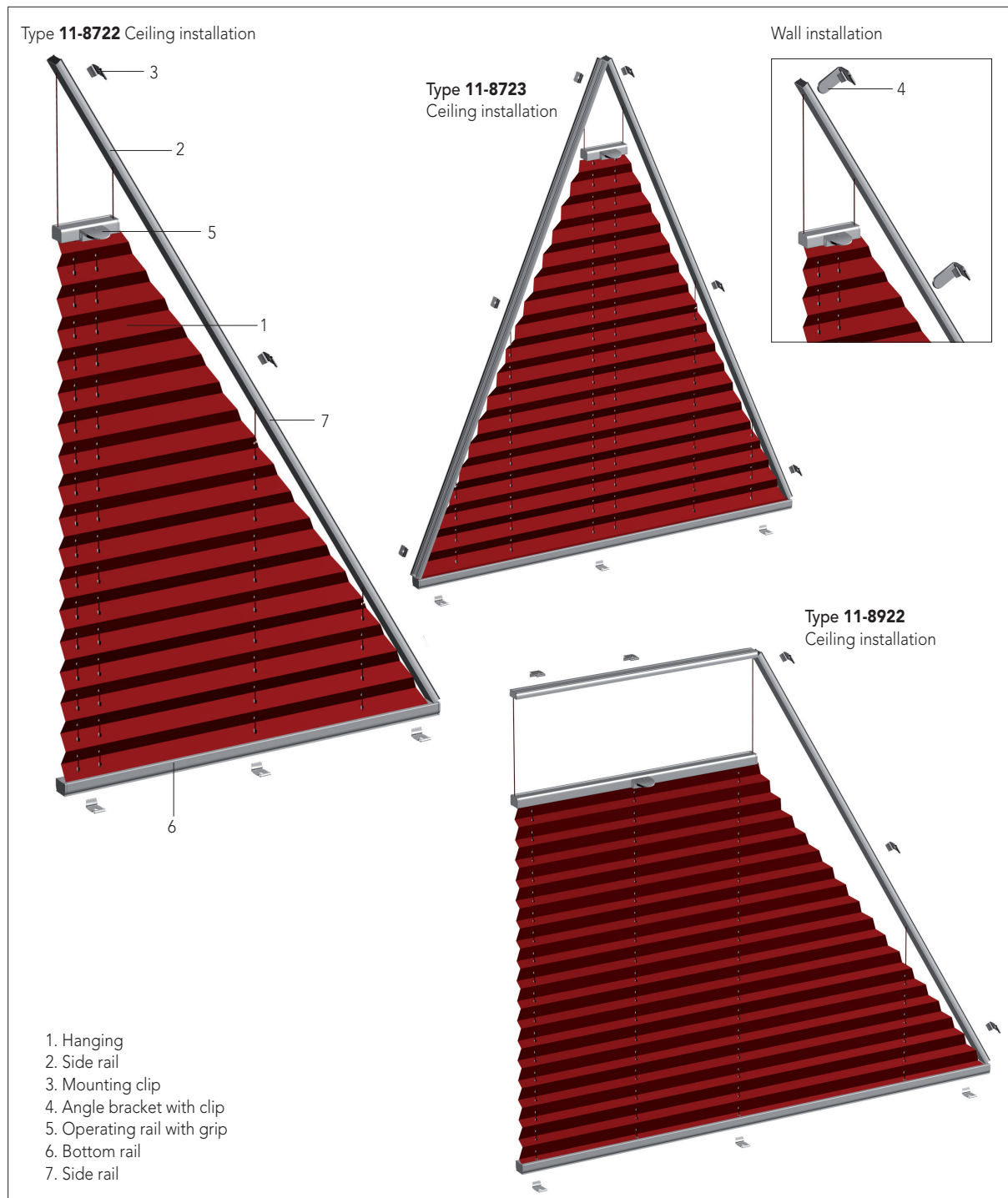


### Installation

Ceiling installation (standard) with clips. Wall installation with angle or glazing bead brackets for front installation at surcharge. 11 brackets per unit.

Refer to the MHZ price list, page 55, for brackets and accessories.

# TYPE ILLUSTRATION 11-8722, 11-8723, 11-8922



Vertical special shapes

### Order details

Type  
 Hardware colour (100, 171, 257, 372)  
 Ordering measurements (clear dimensions in cm)  
 Fabric colour (colour no.)  
 Installation (ceiling/wall/glazing bead (front))

Refer to the MHZ price list, page 55, for surcharges and optional accessories.

Measuring + Ordering, see pages 56 – 61, order form on page 63

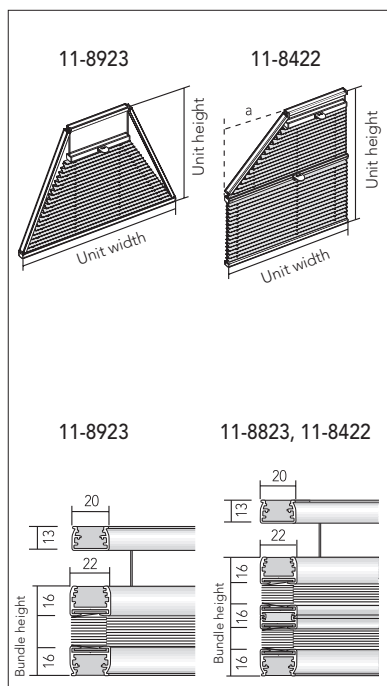
## TYPE 11-8923, 11-8823, 11-8422

**TYPE 11-8923** Taut MHZ pleated blinds for trapezoid windows

**TYPE 11-8823** Taut MHZ pleated blinds for hexagon windows

**TYPE 11-8422** Taut MHZ pleated blinds for pentagon windows

Adjust the hanging height by moving the operating rail. Head, side, operating and bottom rail made from extruded aluminium. Pleated hanging in various qualities according to the MHZ collection. Colour of tension cords matches the hanging.



### Technical data

Dimensions: **11-8923** min. width 30 cm, max. width 150\* cm, max. height 200 cm

**11-8823** min. width 30 cm, max. width 120 cm, max. height 200 cm, from a width of 120 cm to 150\* cm, max. height 150 cm

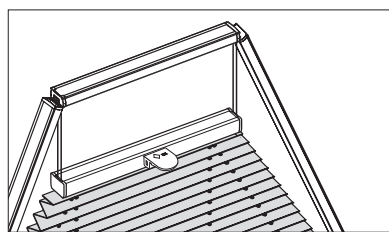
**11-8422** min. width 20 cm, max. width 120 cm, max. height 200 cm, from a width of 120 cm to 150\* cm, max. height 150 cm  
max. distance (a) 120 cm

\* depends on the fabric width, see collection piece

Hardware colours: silver anodized (100), white powder-coated (171), black anodized (257), bronze anodized (372)

Pleat depth: Pleated fabrics 20 mm, Duette® Fixé fabrics 25 mm

| Bundle heights: Unit height up to (cm)      | 50 | 100 | 150 | 200 |
|---------------------------------------------|----|-----|-----|-----|
| 11-8923 bundle height approx. (cm)          | 5  | 6   | 7   | 8   |
| 11-8823, 11-8422 bundle height approx. (cm) | 7  | 9   | 10  | 11  |



### Operation

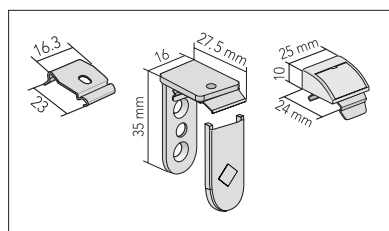
Open and close via operating rail.

Rail secured at any desired position.

An operation rod is optionally available for difficult to reach units.

### Additional equipment

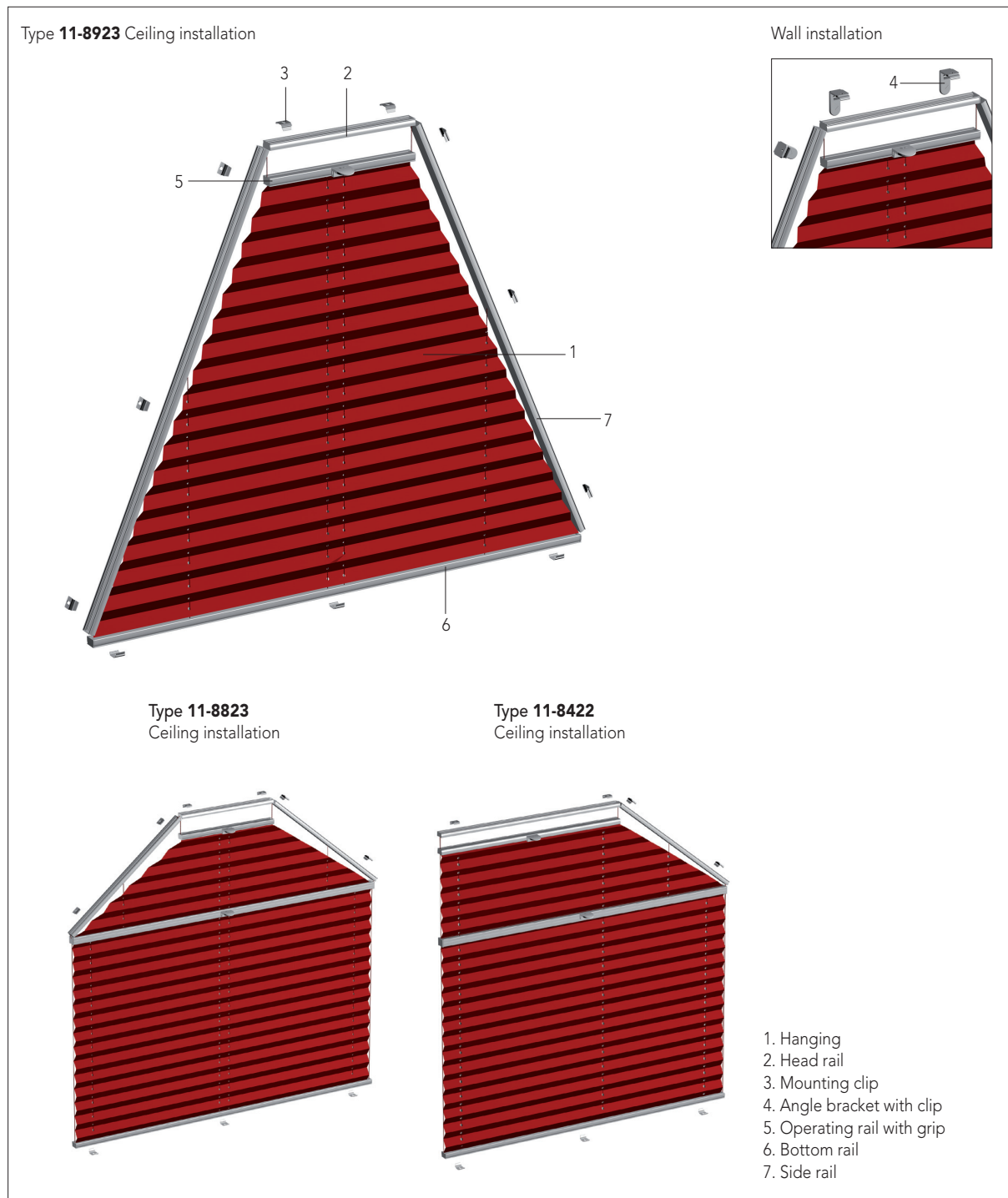
– or type 11-8923 aluminium grip, see MHZ price list, page 55.



### Installation

Ceiling installation (standard) with clips. Wall installation with angle or glazing bead brackets for front installation at surcharge. 11 brackets per unit. Refer to the MHZ price list, page 55 and 58, for brackets and accessories.

# TYPE ILLUSTRATION 11-8923, 11-8823, 11-8422



Vertical special shapes

### Order details

Type  
 Hardware colour (100, 171, 257, 372)  
 Ordering measurements (clear dimensions in cm)  
 Fabric colour (colour no.)  
 Installation (ceiling/wall/glazing bead (front))

Refer to the MHZ price list, page 55 and 58, for surcharges and optional accessories.

Measuring + Ordering, see pages 56 – 61, order form on page 63

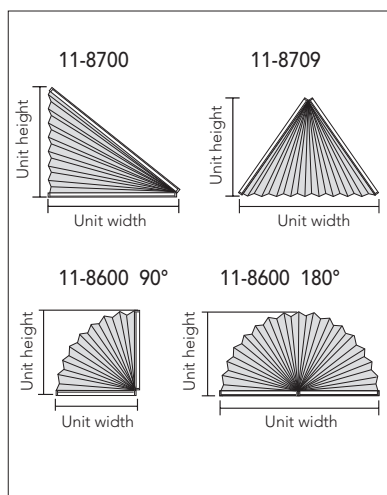
## TYPE 11-8700, 11-8709, 11-8600

**TYPE 11-8700** Fixed MHZ pleated blinds for rectangular triangular windows

**TYPE 11-8709** Fixed MHZ pleated blinds for triangular windows

**TYPE 11-8600** Fixed MHZ pleated blinds for semicircular arches up to 180°

Fixed hanging. Head and bottom rail made from extruded aluminium. Pleated hanging in various qualities according to the MHZ collection. For fixed glazing only.



### Technical data

Dimensions: **11-8700** min. width 40 cm, max. width 150\* cm, max. height 150 cm

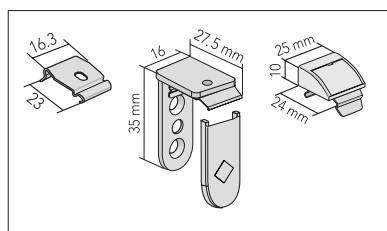
**11-8709** min. width 20 cm, max. width 100\* cm, max. height 150 cm

**11-8600** up to 180°: min. width 20 cm, max. width 100 cm, max. height 50 cm  
up to 90°: min. width 20 cm, max. width 100 cm, max. height 100 cm

\* depends on the fabric width, see collection piece

Hardware colours: silver anodized (100), white powder-coated (171), black anodized (257), bronze anodized (372)

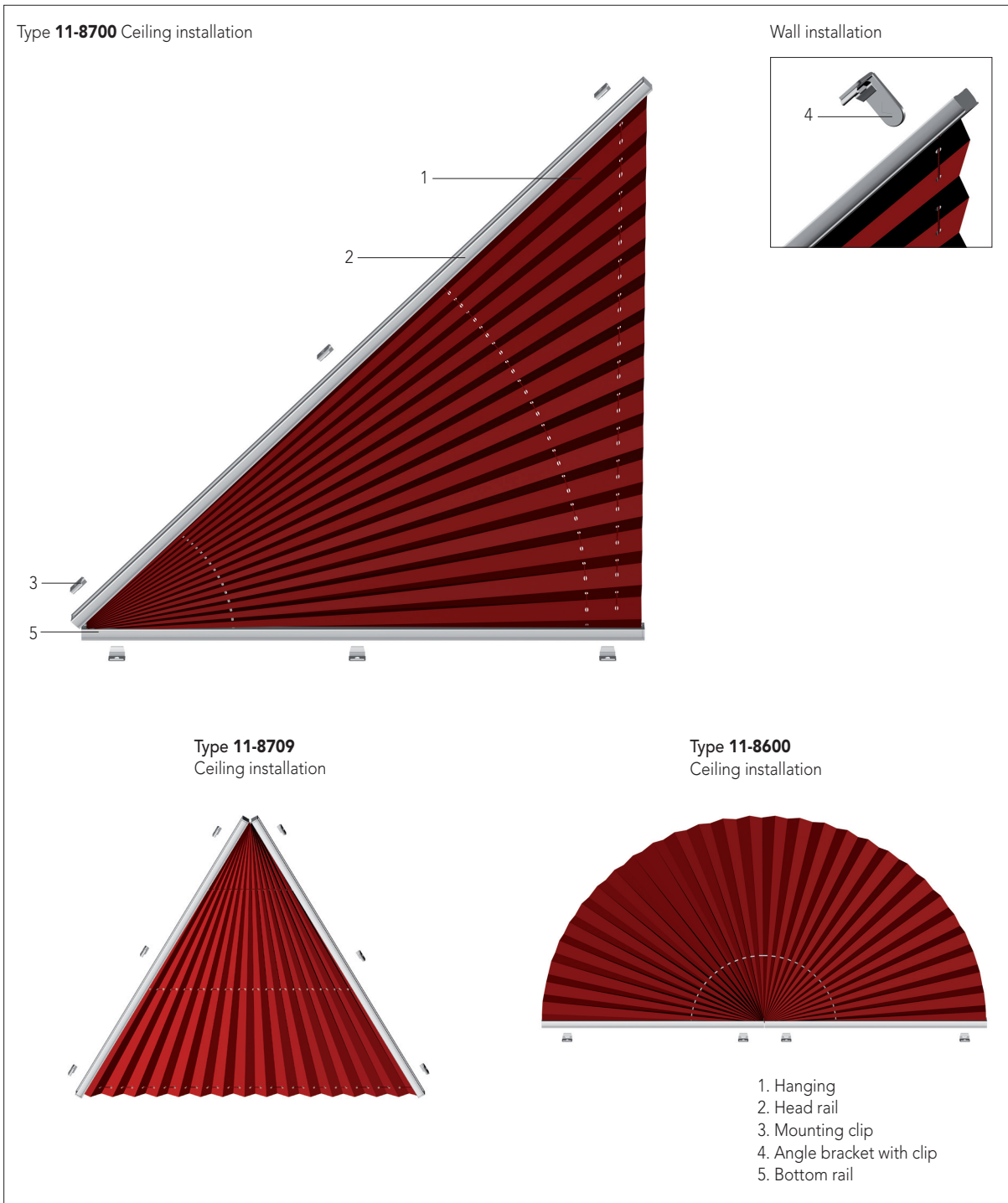
Pleat depth: Pleated fabrics 20 mm, Duette® Fixé fabrics 25 mm



### Installation

Ceiling installation (standard) with clips. Wall installation with angle or glazing bead brackets for front installation at surcharge. With type 11-8700, 11-8709, 6 brackets per unit. With type 11-8600, 4 brackets per unit. Refer to the MHZ price list, page 50, for brackets and accessories.

# TYPE ILLUSTRATION 11-8700, 11-8709, 11-8600



Vertical special shapes

### Order details

Type  
 Hardware colour (100, 171, 257, 372)  
 Ordering measurements (clear dimensions in cm)  
 Fabric colour (colour no.)  
 Installation (ceiling/wall/clamp bracket/  
 glazing bead (front))

Refer to the MHZ price list, page 50, for surcharges and optional accessories.

Measuring + Ordering, see pages 56 – 61, order form on page 63



## CEILING – STANDARD SHAPES, SPECIAL SHAPES



Ceiling  
Standard  
shapes,  
Special  
shapes

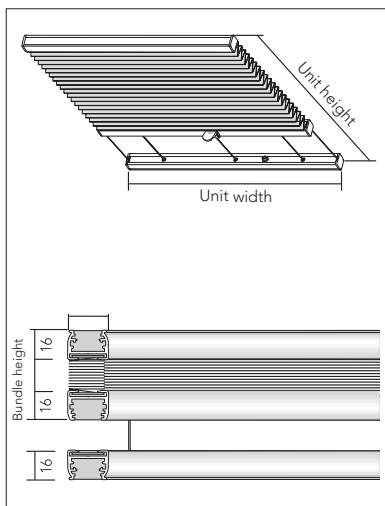
Fabric colour (colour no.) A 4052

## TYPE 11-6110, 11-6120

**TYPE 11-6120** Taut MHZ pleated blinds for ceilings and conservatories

**TYPE 11-6110** MHZ pleated blinds with pull cord for ceilings and conservatories

**Type 11-6120:** Adjust the hanging height by moving the operating rail. **Type 11-6110:** Endless cord operation. Head, operating and bottom rail made from extruded aluminium. Pleated hanging in various qualities according to the MHZ collection. Black sheathed tension wires guide the pleated blinds parallel to the window.



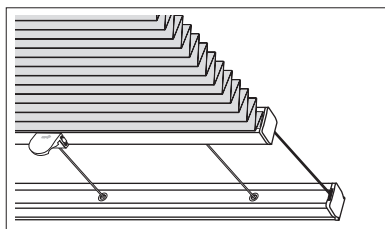
### Technical data

Dimensions: min. width 30 cm, max. width 150\* cm, max. height 400 cm  
\* depends on the fabric width, see collection piece

Hardware colours: silver anodized (100), white powder-coated (171), black anodized (257), bronze anodized (372)

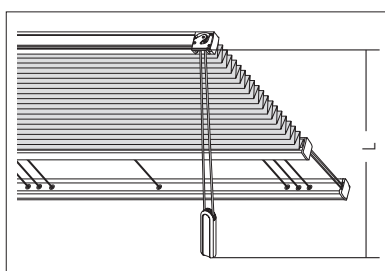
Pleat depth: Pleated fabrics 20 mm, Duette® Fixé fabrics 25 mm

| Bundle heights: | Unit height up to (cm)     | 100 | 200 | 300 | 400 |
|-----------------|----------------------------|-----|-----|-----|-----|
|                 | Bundle height approx. (cm) | 6   | 8   | 10  | 12  |

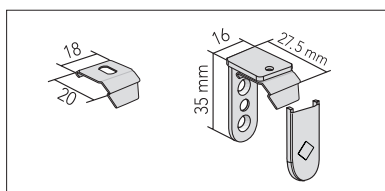


### Operation

**11-6120:** Open and close via operating rail. Hanging secured at any desired position. An operation rod is optionally available for difficult to reach units.



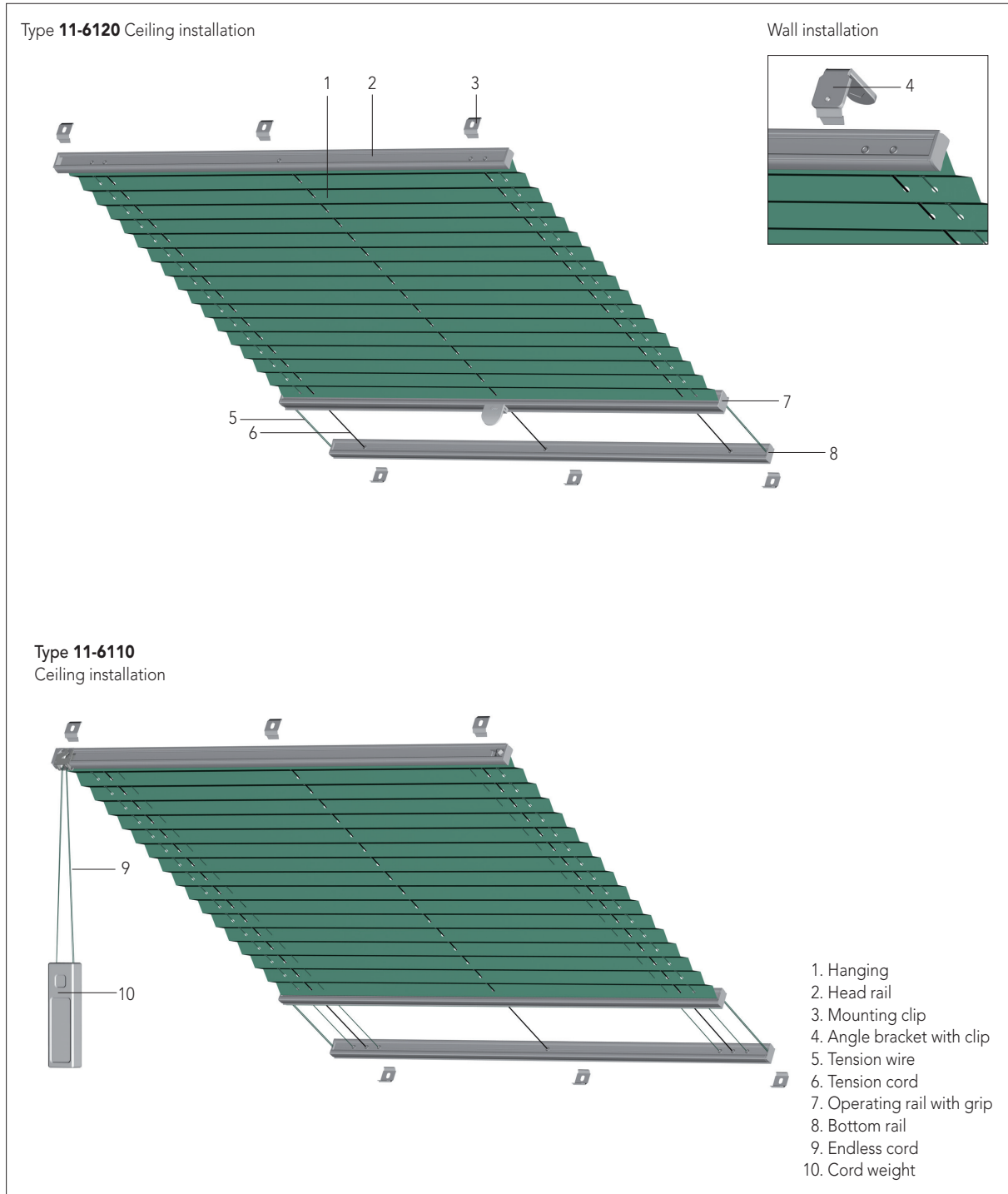
**11-6110:** Open and close via endless cord. Hanging secured at any desired position. Operation side left or right. Standard operation length (L) 100 cm, other lengths available on request. Cord weight included.



### Installation

Ceiling installation (standard) with clips. Wall installation with angle brackets at surcharge. Mounting profile for the required distance to the window pane (refer to page 61 – installation recommendations). Refer to the MHZ price list, page 65, for the number of brackets and accessories.

# TYPE ILLUSTRATION 11-6110, 11-6120



Ceiling  
Standard  
shapes,  
Special  
shapes

### Order details

- Type
- Hardware colour (100, 171, 257, 372)
- Width
- Height
- Fabric colour (colour no.)
- Installation (ceiling/wall)
- Operation (left/right)
- Operation length

Refer to the MHZ price list, page 65, for surcharges and optional accessories.

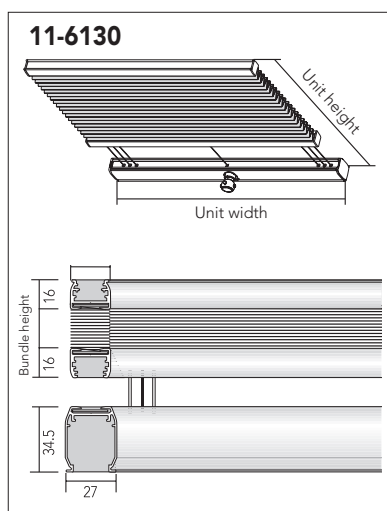
**Measuring + Ordering, see pages 56 – 61, order form on page 63**

## TYPE 11-6130, 11-6140

**TYPE 11-6130** MHZ pleated blinds with crank handle or electric operation rod for ceilings and conservatories

**TYPE 11-6140** MHZ pleated blinds with 24 V electric drive for ceilings and conservatories

**Type 11-6130:** Crank handle or electric operation rod. **Type 11-6140:** MHZ pleated blinds with 24 V electric drive in the middle of the head rail, with automatic end position switch-off. Individual or group operation. Not suitable for damp locations. Profiles made from extruded aluminium. Pleated hanging in various qualities according to the MHZ collection. Black sheathed tension wires guide the pleated blinds parallel to the window.



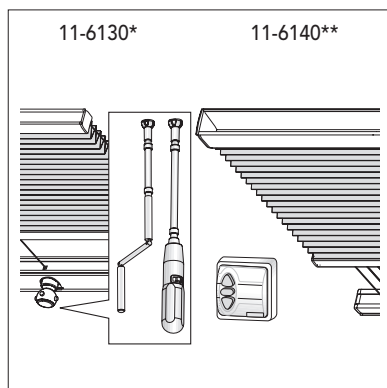
### Technical data

Dimensions: min. width 40 cm, max. width 150\* cm, max. height 400 cm  
\* depends on the fabric width, see collection piece

Hardware colours: silver anodized (100), white powder-coated (171),  
black anodized (257), bronze anodized (372)

Pleat depth: Pleated fabrics 20 mm, Duette® Fixé fabrics 25 mm

|                                        |     |     |     |     |
|----------------------------------------|-----|-----|-----|-----|
| Bundle heights: Unit height up to (cm) | 100 | 200 | 300 | 400 |
| Bundle height approx. (cm)             | 9   | 11  | 13  | 15  |



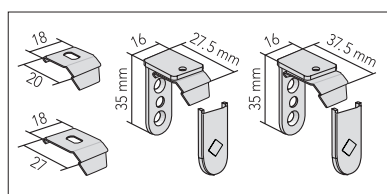
### Operation

**11-6130:** Open and close via crank handle or electric operation rod, refer to electric accessories, page 53. Drive adaptor in the middle, other positions on request.

\* Standard: Bundle at the top, drive rail at the bottom, other arrangement on request.

**11-6140:** Open and close via electric drive. Various control options due to push-button switch, radio remote control, timer and light sensor. See chapter control options and accessories for further information. Refer to the separate price sheet for electric accessories.

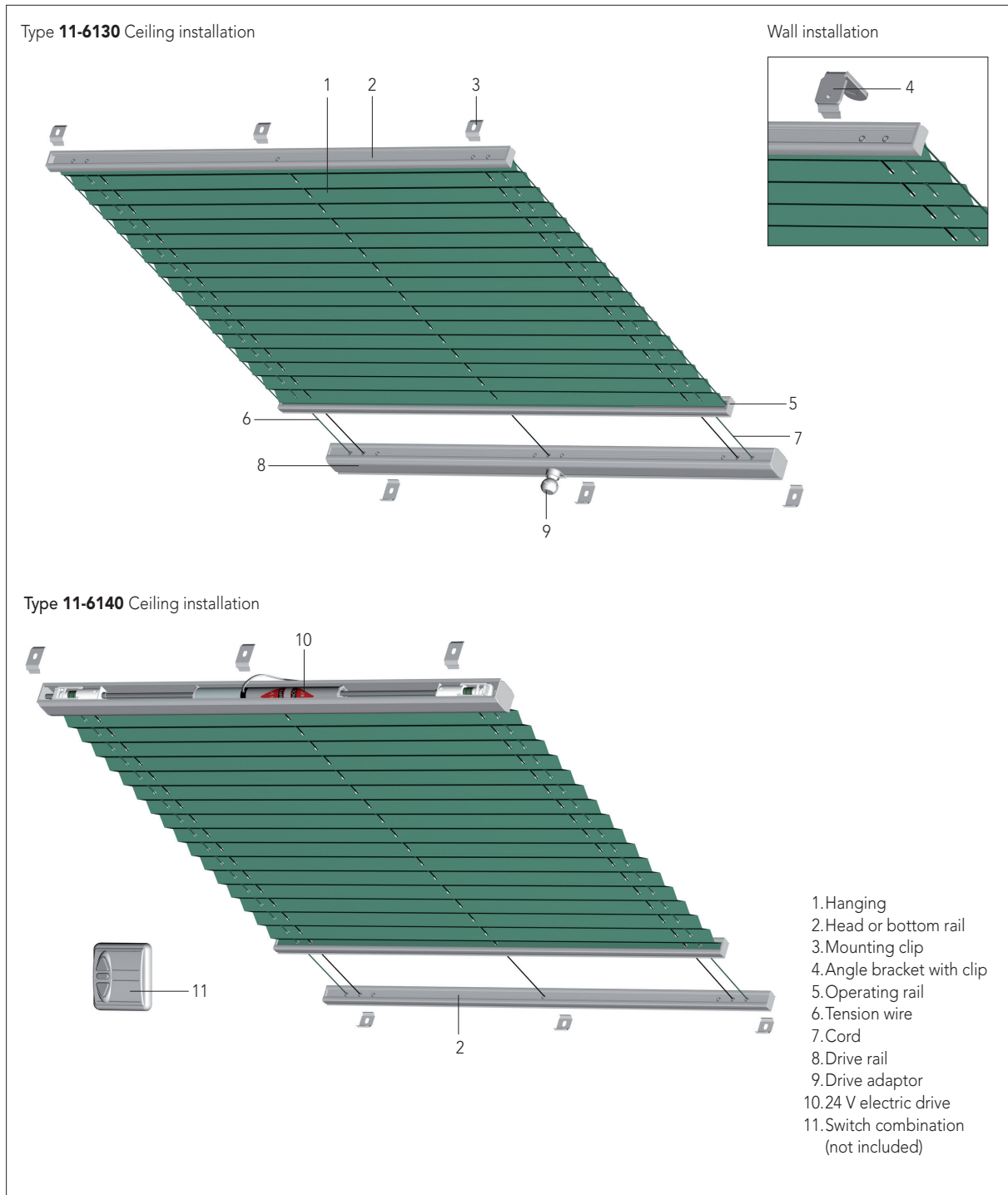
\*\* Standard: Bundle and drive at the top.



### Installation

Ceiling installation (standard) with clips. Wall installation with angle brackets at surcharge. Mounting profile for the required distance to the window pane (refer to page 61 – installation recommendations). Refer to the MHZ price list, page 71, for the number of brackets and accessories.

# TYPE ILLUSTRATION 11-6130, 11-6140



Ceiling  
Standard  
shapes,  
Special  
shapes

### Order details

Type  
Hardware colour (100, 171, 257, 372)  
Width  
Height  
Fabric colour (colour no.)  
Installation (ceiling/wall)

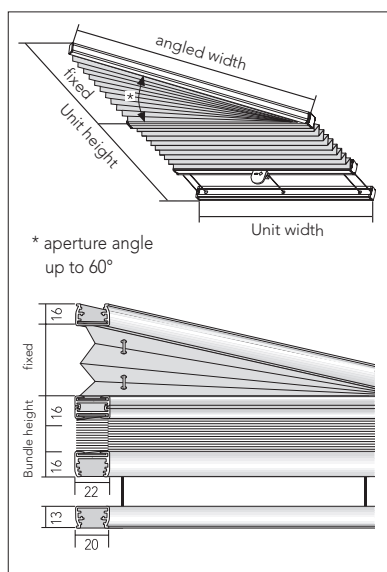
Refer to the MHZ price list, page 71, for surcharges and optional accessories.

Measuring + Ordering, see pages 56 – 61, order form on page 63

## TYPE 11-6556

**TYPE 11-6556** Taut MHZ pleated blinds as sloping unit for ceilings and conservatories  
Aperture angle up to max. 60°

Adjust the hanging height by moving the operating rail. Only the rectangular part of the hanging can be opened. Head, centre, operating and bottom rail made from extruded aluminium. Pleated hanging in various qualities according to the MHZ collection. Colour of tension cords matches the hanging. Type **is not suitable** for Duette® Fixé fabrics. Black sheathed tension wires guide the pleated blinds parallel to the window.



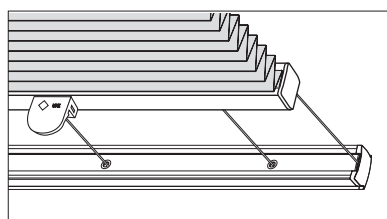
### Technical data

Dimensions: min. width 30 cm, max. width 150\* cm, max. angled width 230\*\* cm, max. height 400 cm  
\* depends on the fabric width, see collection piece  
Aperture angle: up to 60°  
Pitch: 45° – 90°

Hardware colours: silver anodized (100), white powder-coated (171), black anodized (257), bronze anodized (372)

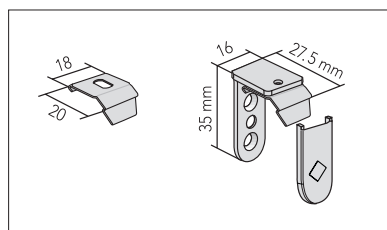
Pleat depth: Pleated fabrics 20 mm

| Bundle heights: | Unit height up to (cm)     | 100 | 200 | 300 |
|-----------------|----------------------------|-----|-----|-----|
|                 | Bundle height approx. (cm) | 6   | 8   | 10  |



### Operation

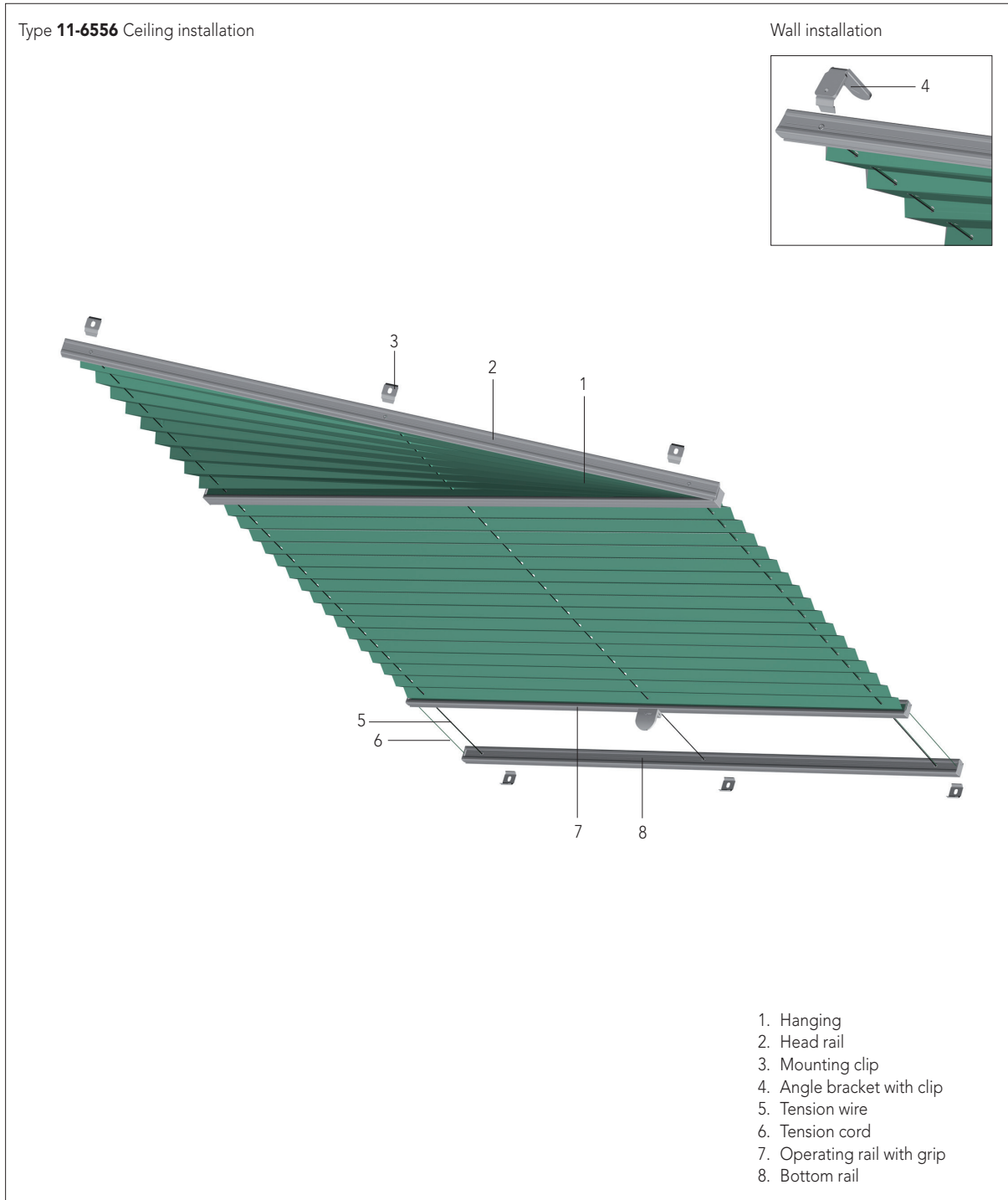
Open and close via operating rail. Rail secured at any desired position. Only the rectangular part of the hanging can be opened. An operation rod is optionally available for difficult to reach units.



### Installation

Ceiling installation (standard) with clips. Wall installation with angle brackets at surcharge. Mounting profile for the required distance to the window pane (refer to page 61 – installation recommendations). Refer to the MHZ price list, page 76, for the number of brackets and accessories.

# TYPE ILLUSTRATION 11-6556



Ceiling  
Standard  
shapes,  
Special  
shapes

### Order details

Type  
Hardware colour (100, 171, 257, 372)  
Ordering measurements (clear dimensions in cm)  
Fabric colour (colour no.)  
Installation (ceiling/wall)

Refer to the MHZ price list, page 71, for surcharges and optional accessories.

Measuring + Ordering, see pages 56 – 61, order form on page 63

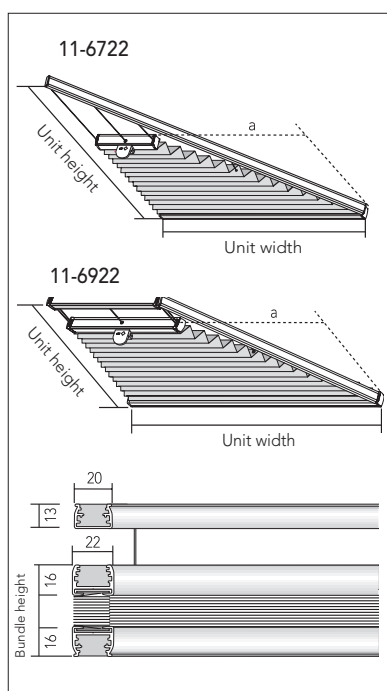
## TYPE 11-6722, 11-6723, 11-6922

**TYPE 11-6722** Taut MHZ pleated blinds as rectangular triangular unit for ceilings and conservatories

**TYPE 11-6723** Taut MHZ pleated blinds as triangular unit for ceilings and conservatories

**TYPE 11-6922** Taut MHZ pleated blinds as trapezoid unit with a right angle for ceilings and conservatories

Adjust the hanging height by moving the operating rail. Head, side, operating and bottom rail made from extruded aluminium. Pleated hanging in various qualities according to the MHZ collection. Colour of tension cords matches the hanging. Black sheathed tension wires guide the pleated blinds parallel to the window. Due to technical reasons, tip (b = 7 cm) remains unoccupied for types 11-6722 and 11-6723.



### Technical data

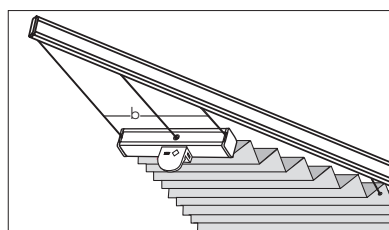
Dimensions: **11-6722** min. width 30 cm, max. width 120\* cm, max. height 200 cm  
**11-6723** min. width 30 cm, max. width 150\* cm, max. height 200 cm  
**11-6922** min. width 30 cm, max. width 150\* cm, max. height 200 cm, max. distance (a) 120 cm

With type 11-6722, 11-6723, min. width b (tip) = 7 cm  
 \* depends on the fabric width, see collection piece

Hardware colours: silver anodized (100), white powder-coated (171), black anodized (257), bronze anodized (372)

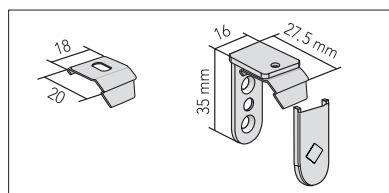
Pleat depth: Pleated fabrics 20 mm, Duette® Fixé fabrics 25 mm

| Bundle heights: | Unit height up to (cm)     | 50 | 100 | 150 | 200 |
|-----------------|----------------------------|----|-----|-----|-----|
|                 | Bundle height approx. (cm) | 4  | 5   | 6   | 7   |



### Operation

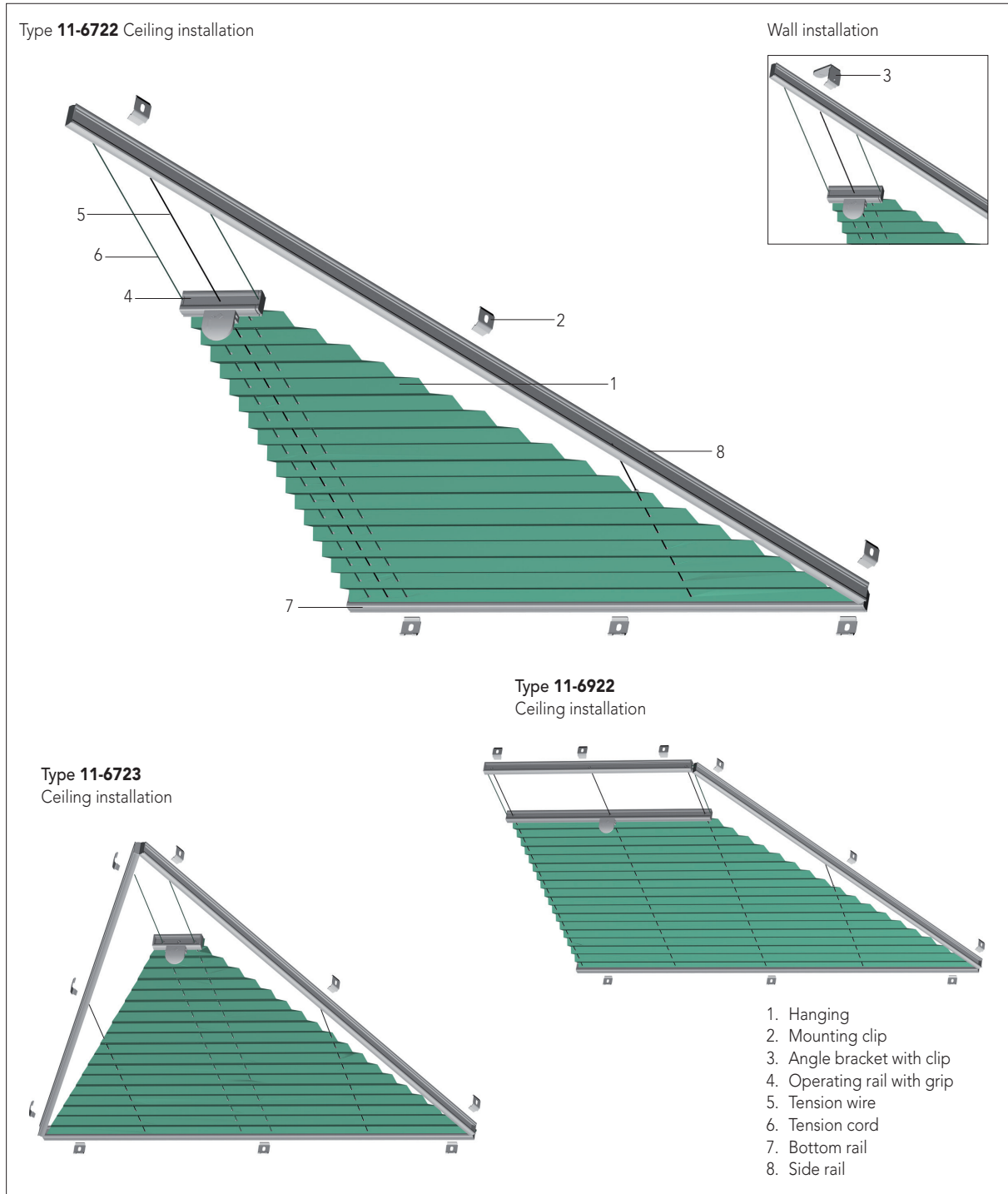
Open and close via operating rail. Rail secured at any desired position. An operation rod is optionally available for difficult to reach units.



### Installation

Ceiling installation (standard) with clips. Wall installation with angle brackets at surcharge. 11 brackets per unit. Mounting profile for the required distance to the window pane (refer to page 61 – installation recommendations). Refer to the MHZ price list, page 80, for brackets and accessories.

# TYPE ILLUSTRATION 11-6722, 11-6723, 11-6922



Ceiling  
Standard  
shapes,  
Special  
shapes

### Order details

Type  
Hardware colour (100, 171, 257, 372)  
Ordering measurements (clear dimensions in cm)  
Fabric colour (colour no.)  
Installation (ceiling/wall)

Refer to the MHZ price list, page 80, for surcharges and optional accessories.

Measuring + Ordering, see pages 56 – 61, order form on page 63

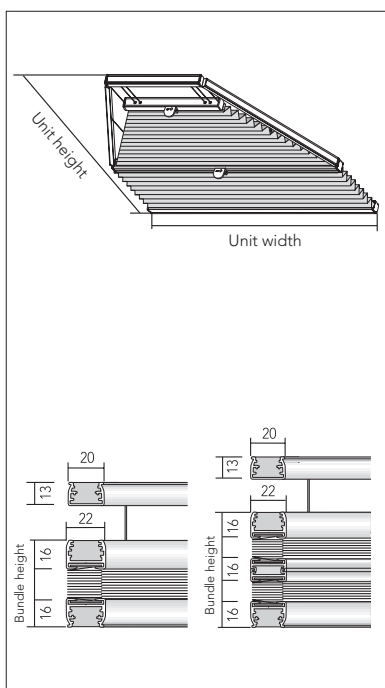
## TYPE 11-6923, 11-6823, 11-6422

**TYPE 11-6923** Taut MHZ pleated blinds as trapezoid unit for ceilings and conservatories

**TYPE 11-6823** Taut MHZ pleated blinds as hexagon unit for ceilings and conservatories

**TYPE 11-6422** Taut MHZ pleated blinds as pentagon unit for ceilings and conservatories

Adjust the hanging height by moving the operating rail. Head, side, operating and bottom rail made from extruded aluminium. Pleated hanging in various qualities according to the MHZ collection. Colour of tension cords matches the hanging. Black sheathed tension wires guide the pleated blinds parallel to the window.



### Technical data

Dimensions: **11-6923** min. width 30 cm, max. width 150\* cm, max. height 200 cm

**11-6823** min. width 30 cm, max. width 150\* cm, max. height 400 cm

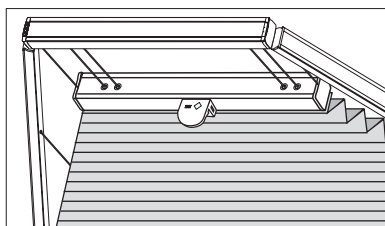
**11-6422** min. width 30 cm, max. width 150\* cm, max. height 400 cm

\* depends on the fabric width, see collection piece

Hardware colours: silver anodized (100), white powder-coated (171), black anodized (257), bronze anodized (372)

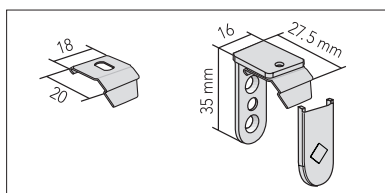
Pleat depth: Pleated fabrics 20 mm, Duette® Fixé fabrics 25 mm

| Bundle heights:                    | Unit height up to (cm) | 50 | 100 | 200 |
|------------------------------------|------------------------|----|-----|-----|
| 11-6923 bundle height approx. (cm) |                        | 4  | 6   | 8   |
| 11-6823 bundle height approx. (cm) |                        | 7  | 9   | 11  |
| 11-6422 bundle height approx. (cm) |                        | 7  | 9   | 11  |



### Operation

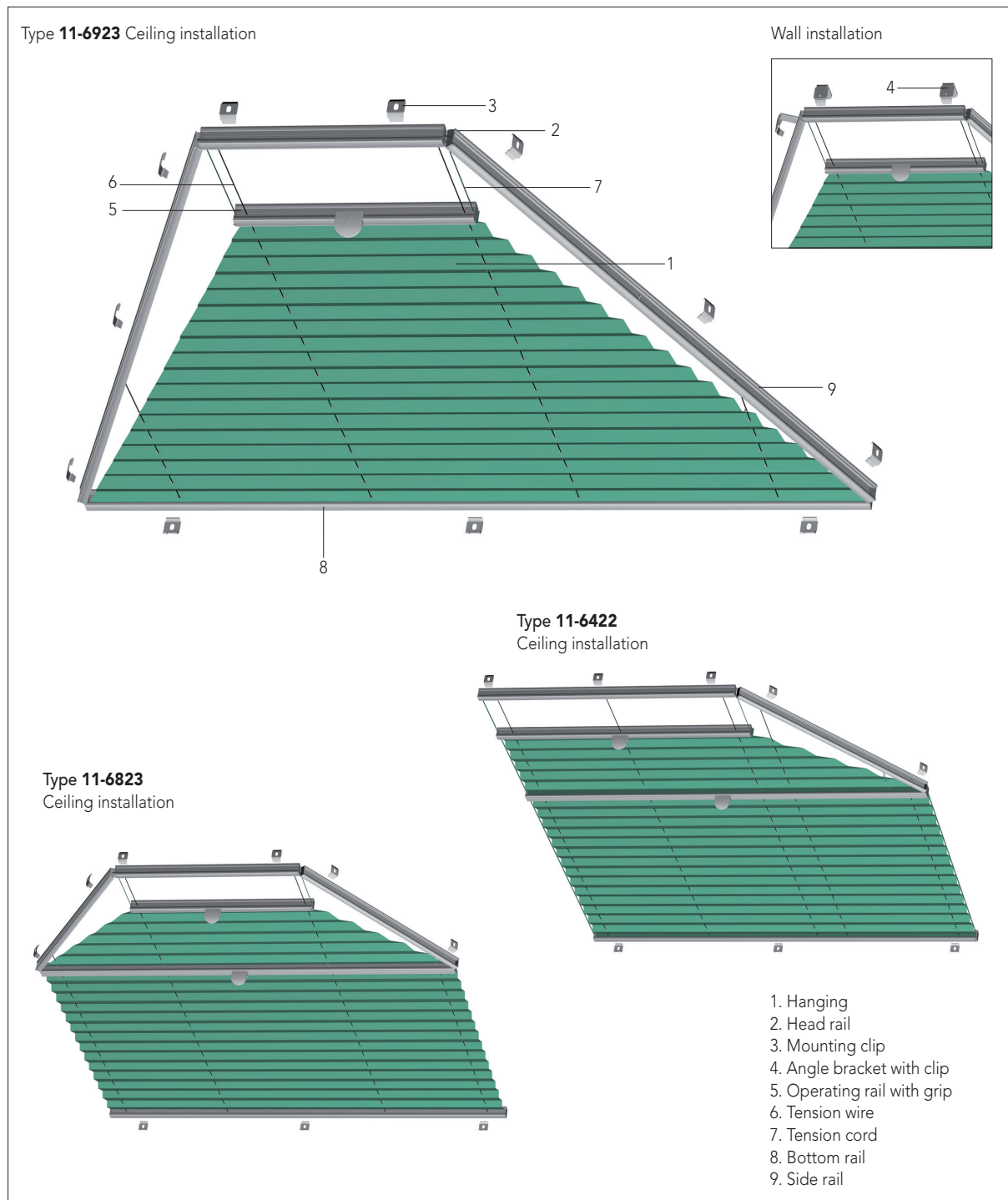
Open and close via operating rail. Rail secured at any desired position. An operation rod is optionally available for difficult to reach units.



### Installation

Ceiling installation (standard) with clips. Wall installation with angle brackets at surcharge. 11 brackets per unit. Mounting profile for the required distance to the window pane (refer to page 61 – installation recommendations). Refer to the MHZ price list, page 80 and 87, for brackets and accessories.

# TYPE ILLUSTRATION 11-6923, 11-6823, 11-6422



Ceiling  
Standard  
shapes,  
Special  
shapes

### Order details

Type  
Hardware colour (100, 171, 257, 372)  
Ordering measurements (clear dimensions in cm)  
Fabric colour (colour no.)  
Installation (ceiling/wall)

Refer to the MHZ price list, page 80 and 87, for surcharges and optional accessories.

Measuring + Ordering, see pages 56 – 61, order form on page 63



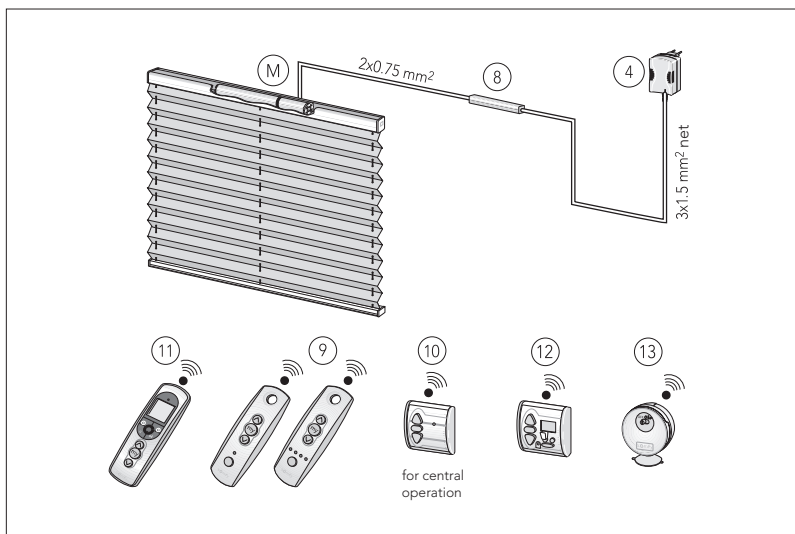
# ELECTRIC CONTROL OPTIONS AND ACCESSORIES



Electric control and accessories

Fabric colour (colour no.) 1-4135

## 24 V ELECTRIC CONTROL OPTIONS

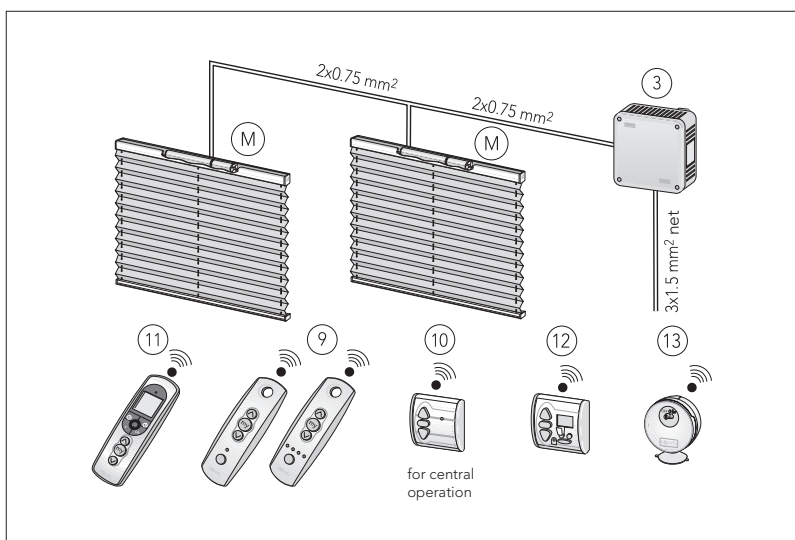


### Radio-single operation

- (M) Electric drive LW 25-B44 in the middle of the drive rail
- (4) Power supply plug
- (8) DC RTS module radio receiver for wall installation

#### Optional:

- (9) Telis RTS, 1 or 5-channel radio remote control
- (10) Centralis RTS wall-mounted radio transmitter (1 channel)
- (11) Telis Compositio RTS 20-channel radio remote control
- (12) Chronis RTSL Comfort radio-timer
- (13) Thermosunis Indoor Wirefree RTS radio-sun-control

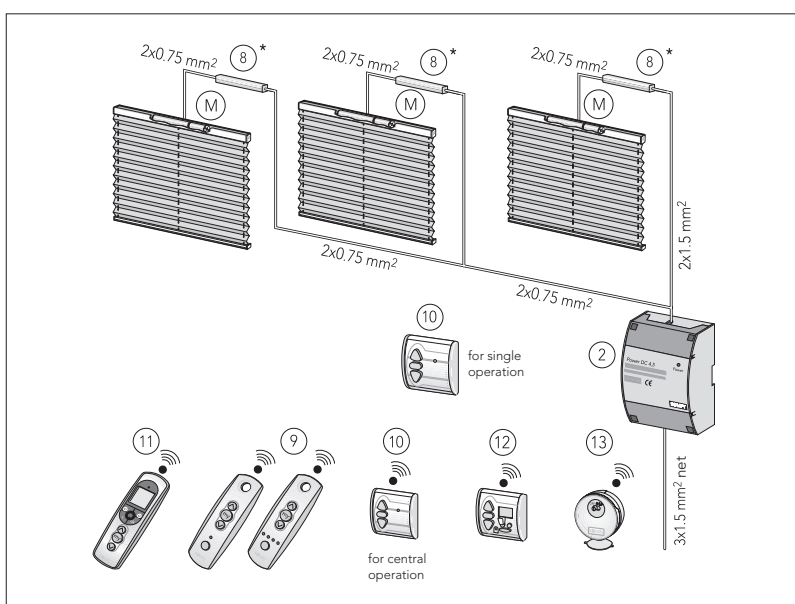


### Radio dual operation

- (M) LW 25-B44 electric drive in the middle of the drive rail
- (3) Power 1 x 2.5 DC RTS, group radio control with integrated power supply

#### Optional:

- (9) Telis RTS, 1 or 5-channel radio remote control
- (10) Centralis RTS wall-mounted radio transmitter (1 channel)
- (11) Telis Compositio RTS 20-channel radio remote control
- (12) Chronis RTSL Comfort radio-timer
- (13) Thermosunis Indoor Wirefree RTS radio-sun-control



### Radio-single and central operation

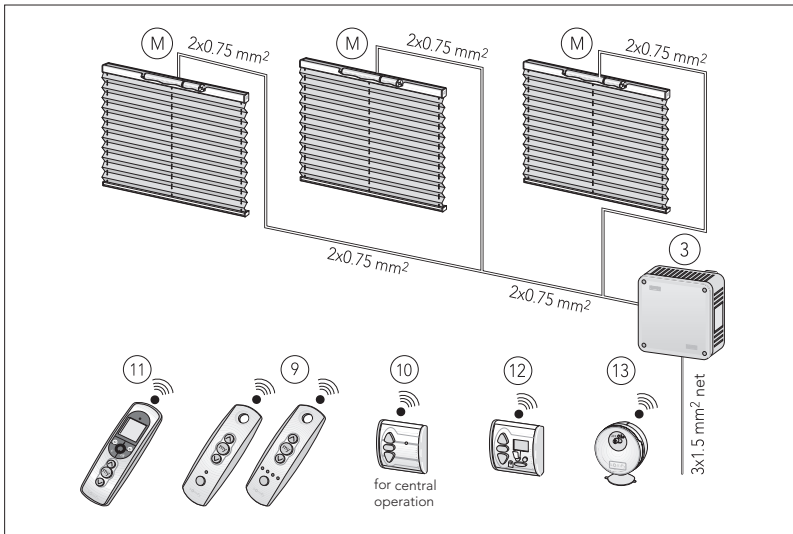
- (M) LW 25-B44 electric drive in the middle of the drive rail
- (2) Power 2.7 DC, Power 4.5 DC group power supply unit
- (8) DC RTS module, radio receiver for wall installation
- (9) Telis RTS, 1 or 5-channel radio remote control

#### Optional:

- (10) Centralis RTS wall-mounted radio transmitter (1 channel)
- (11) Telis Compositio RTS 20-channel radio remote control
- (12) Chronis RTSL Comfort radio-timer
- (13) Thermosunis Indoor Wirefree RTS radio-sun-control

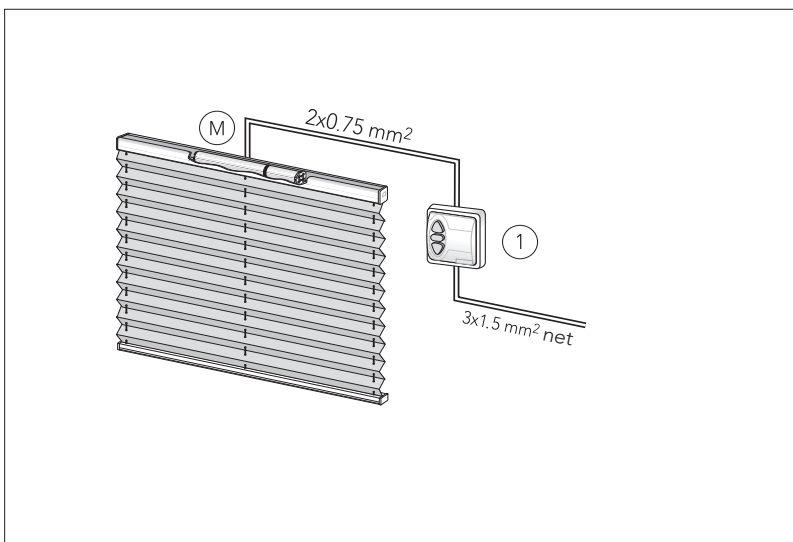
**Note:** Always use shielded phone lines J-Y (St) Y 2 x 2 x 0.8 mm as control lines.  
No synchronous running when using group control.

# 24 V ELECTRIC CONTROL OPTIONS



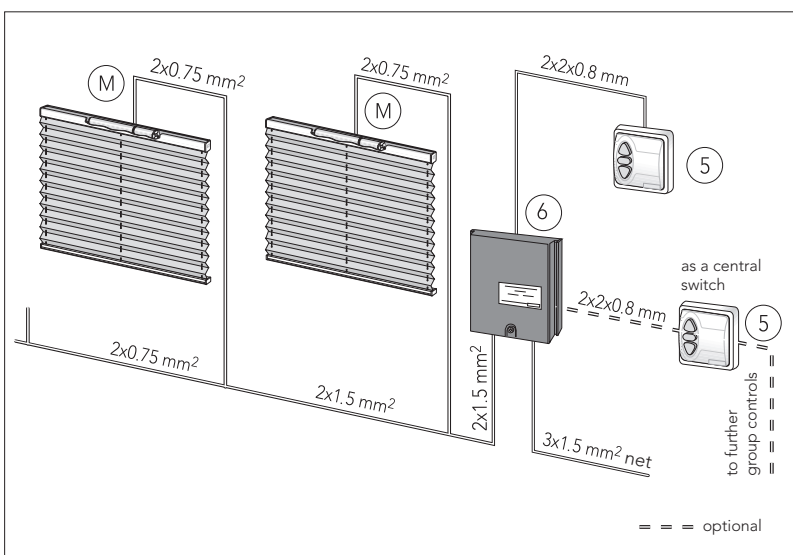
## Radio central operation

- (M) LW 25-B44 electric drive in the middle of the drive rail
- (3) Power 1 x 2.5 DC RTS, group radio control with integrated power supply
- (9) Telis RTS, 1 or 5-channel radio remote control
- Optional:**
- (10) Centralis RTS wall-mounted radio transmitter (1 channel)
- (11) Telis Composio RTS 20-channel radio remote control
- (12) Chronis RTSL Comfort radio-timer
- (13) Thermosunis Indoor Wirefree RTS radio-sun-control



## Single operation

- (M) LW 25-B44 electric drive in the middle of the drive rail
- (1) Inis DC switch power supply unit for 1 drive
- Optional:**
- (16) Push-button switch



## Central operation with group control

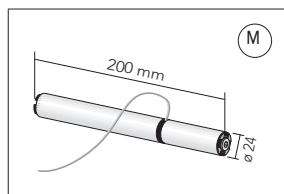
- (M) LW 25-B44 electric drive in the middle of the drive rail
- (5) Centralis IB, group and central switch
- (6) GPS 1020 group control
- Optional:**
- (7) Chronis IB-L Comfort timer
- (15) Light sensor for Chronis IB-L Comfort

**Note:** Always use shielded phone lines  
 J-Y (St) Y 2 x 2 x 0.8 mm as control lines.  
 No synchronous running when using group control.

## 24 V ELECTRIC ACCESSORIES

### Drives and power supplies

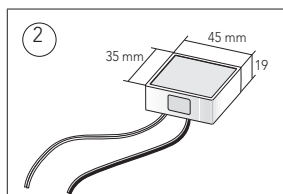
#### 24 V electric drive



LW 25-B44  
11-4135

#### 24 V in-wall power supply

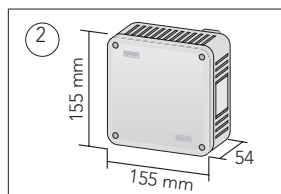
cable lengths approx. 70 cm, up to 1 drive for installation in flush-socket (on site)



Power 1.1 DC flush  
11-7796

#### 24 V group power supply unit

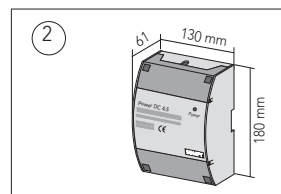
up to 5 drives (M)



Power 2.7 DC  
11-9746

#### 24 V group power supply unit

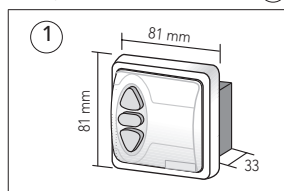
up to 11 drives (M)



Power 4.5 DC  
11-4150

#### 24 V switch power supply unit

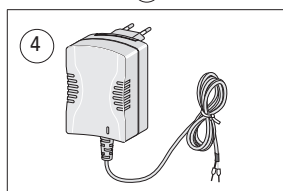
switch with integrated power supply unit, for up to 2 drives (M)



Flush Inis DC  
11-9747

#### Power supply plug

stabilized, up to 2 drives (M)

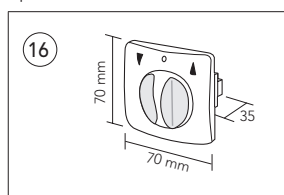


11-4172

### Single and central operation, group and automatic control

#### Push-button switch

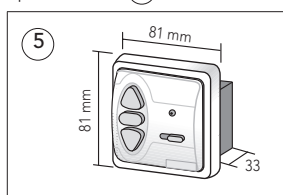
2-pole, for single operation or max. 3 drives without single operation



11-4146 surface  
11-4147 flush

#### Motor control unit

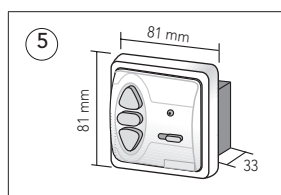
for single operation or small groups without single operation up to 6 drives (M)



UP Centralis DC IB  
11-9989 Flush Centralis

#### Group and central switch

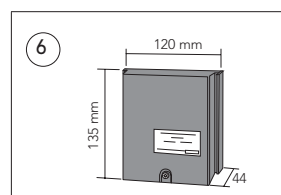
only with GPS 1020 or Centralis DC IB



UP Centralis IB  
11-9977 Flush

#### Group control

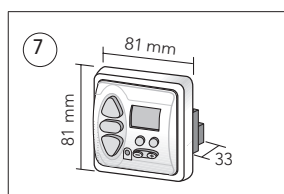
with integrated power supply unit up to 11 drives (M)



GPS 1020  
11-4151

#### Timer

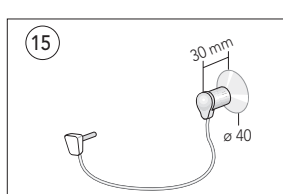
only with GPS 1020



Flush Chronis IB-L Comfort  
11-4175

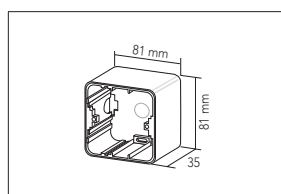
#### Light sensor

for Chronis IB-L Comfort, incl. 1 m cable



11-4170

#### Surface socket



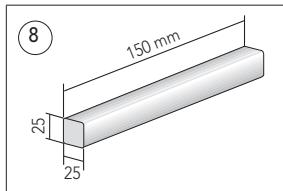
11-9991

## 24 V ELECTRIC ACCESSORIES

### Radio receiver and power supply with radio receiver

#### Radio receiver

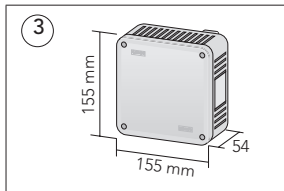
for wall and ceiling installation, 1 or 2 drives (without single operation)



DC RTS module  
**11-9739**

#### Group radio control

with integrated power supply unit, without single operation, up to 6 drives (M)

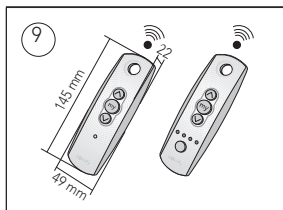


Power 1 x 2.5 DC RTS  
**11-9740**

### Radio operation and radio-automatic controls

#### Radio remote control

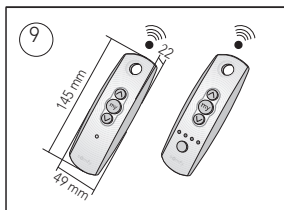
1 or 5 channels, incl. battery CR 2430 as well as a wall bracket



Telis 1 RTS Pure  
**11-9742**  
Telis 4 RTS Pure  
**11-9743**

#### Radio remote control

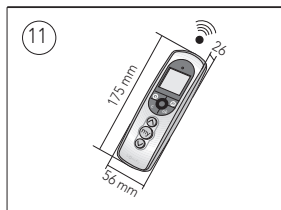
1 or 5 channels, incl. battery CR 2430 as well as a wall bracket



Telis 1 RTS Silver  
**11-4173**  
Telis 4 RTS Silver  
**11-4174**

#### Radio remote control

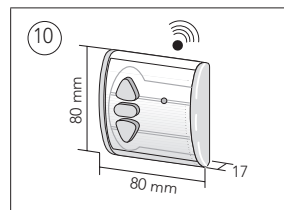
20 channels, incl. battery AAA as well as wall bracket (magnet)



Telis Compositio RTS Silver  
**11-7791**

#### Wall-mounted radio transmitter

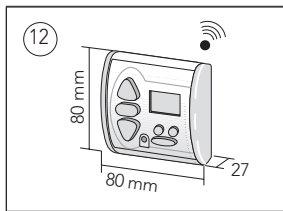
1 channel for single or central operation, incl. CR 2430 battery



Centralis RTS  
**11-9741**

#### Radio timer

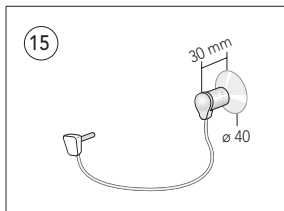
optional with automatic brightness control (light sensor 11-4170) incl. 2 x 1.5 V micro batteries



Chronis RTS-L Comfort  
**11-4169**

#### Light sensor

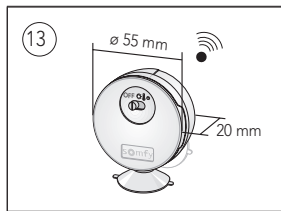
for Chronis RTS-L Comfort, incl. 1 m cable



**11-4170**

#### Radio temperature sun control

in conjunction with a radio receiver



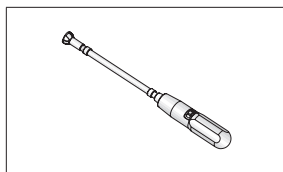
Thermosunis Indoor WireFree RTS  
**11-7793**

\*No synchronous running when using group controls.

### Accessories

#### Electric rod

with rechargeable battery and charger, 100 cm, 150 cm or 200 cm



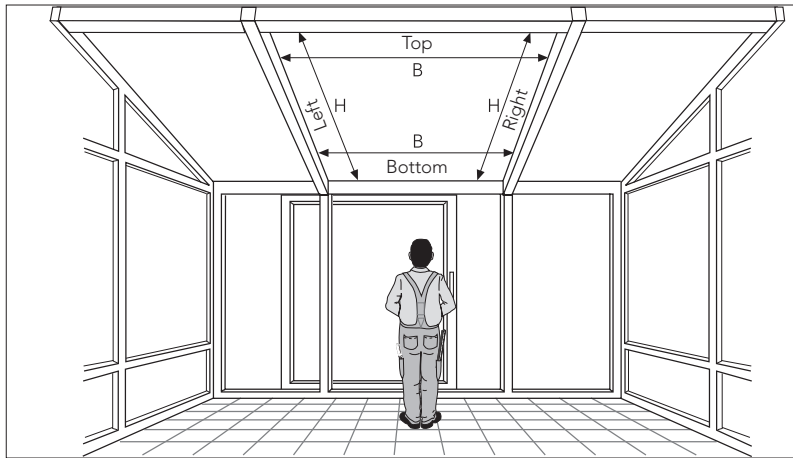
**11-4425** 100 cm  
**11-4426** 150 cm  
**11-4427** 200 cm



# MEASURING AND ORDERING

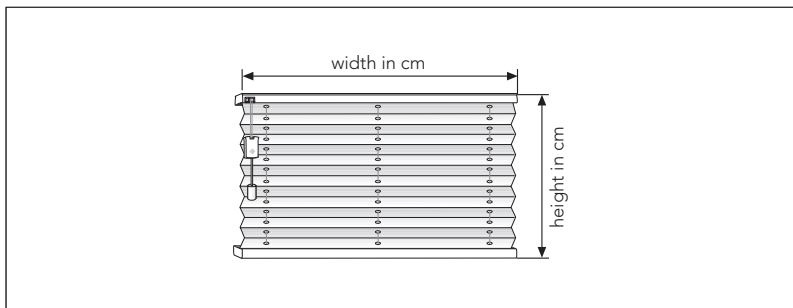


# GENERAL MEASURING INSTRUCTIONS



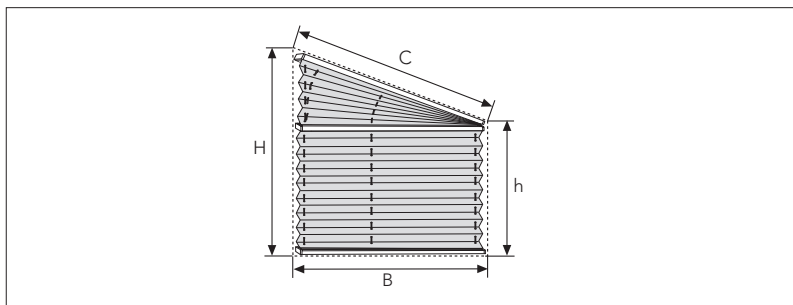
## For all pleated blinds

Make sure all dimensions and sketches are presented from the inside outwards. Check dimensions at several points.



## For all rectangular shapes (vertical windows and ceilings)

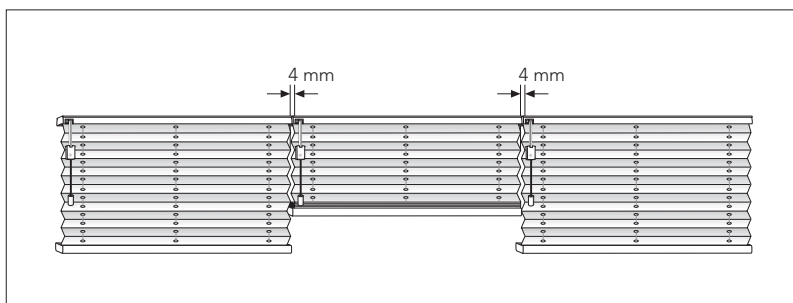
For all rectangular shapes (vertical windows and ceilings)



## For all special shapes (vertical windows and ceilings)

Clear dimension details are important for all special shapes for vertical windows and ceiling units.

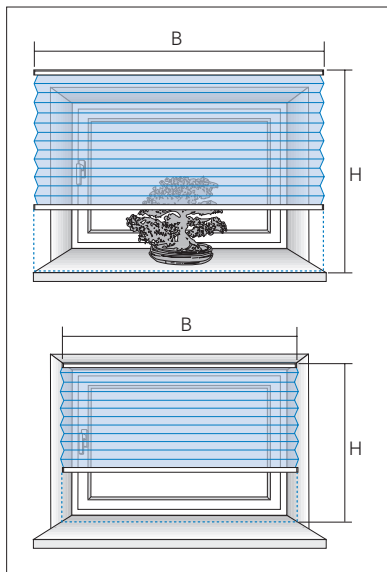
Necessary values are subtracted by the manufacturer.



## Light gap for several units

There is a 4 mm light gap between the hangings of several units positioned next to each other.

# VERTICAL WINDOWS AND DOORS



## Wall and ceiling installation for all types

### Installation in front of the window recess

Ordering width B = recess width + desired overhang

Ordering height H = recess height + desired overhang

Please note: Bundle height, window sill, projecting fittings and window catches

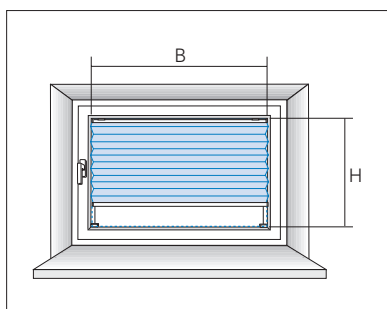
### Installation in the window recess

Ordering width B = recess width - 5 mm

Ordering height H = recess height - 5 mm

Check dimensions at several points.

Please note: Bundle height, projecting fittings and window catches



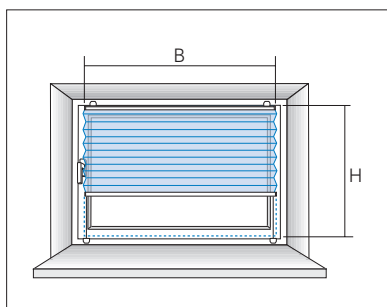
## Glazing bead installation

for types 11-8110, 11-8120, 11-8220, 11-8370

Ordering width B = clear glass width - 5 mm

Ordering height H = clear glass height - 5 mm

Please note: Unit depth 22 mm



## Window sash installation

### with wall, clamp or glazing bead bracket (front)

for types 11-8110, 11-8120, 11-8220, 11-8370

#### Wall brackets:

Ordering width B = clear glass width + desired overhang

Ordering height H = clear glass height + desired overhang

#### Glazing bead brackets:

Ordering width B = glazing bead outer edge to glazing bead outer edge

Ordering height H = glazing bead outer edge to glazing bead outer edge bead -20 mm

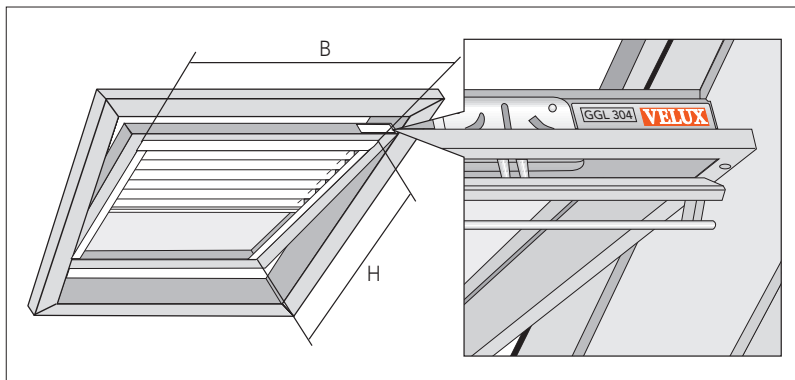
#### Clamp brackets:

Ordering width B = clear glass width + desired overhang

Ordering height H = upper edge to lower edge - 25 mm

Please note: Bundle height, projecting fittings and window catches

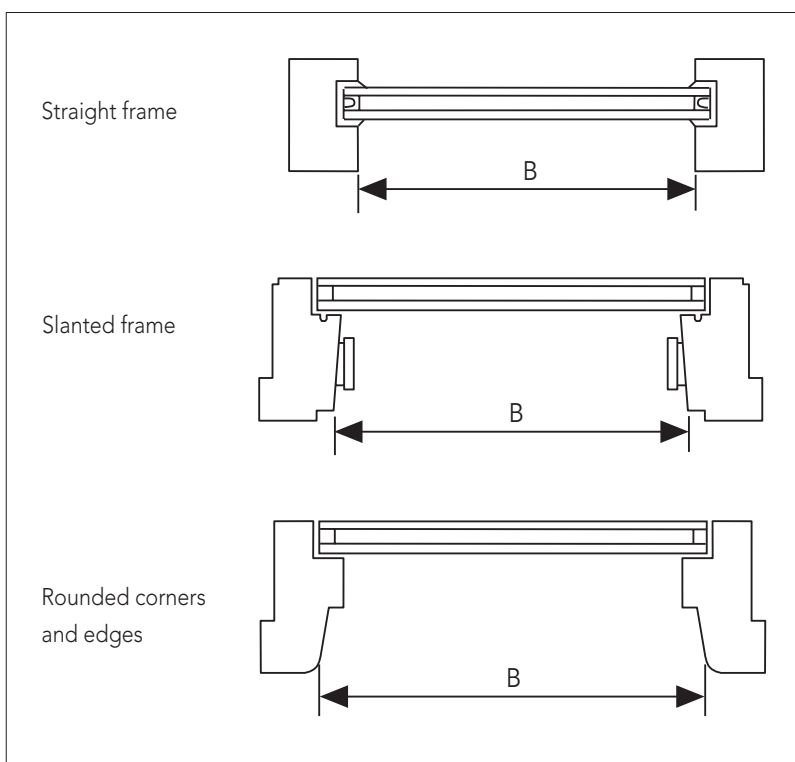
# SKYLIGHTS



## Skylight installation

For all skylight types

Always specify the exact model ID of the skylight manufacturer and the sash front edge dimensions. Refer to price list for model overview.



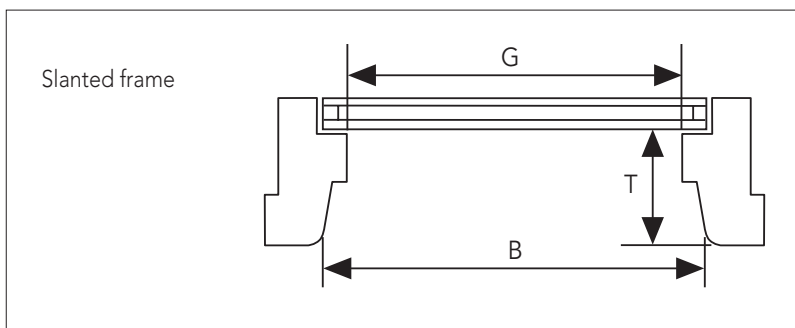
Determine measurements according to the sketch on the left.

**Ordering width B =**  
sash width front edge

**Ordering height H =**  
sash height front edge

If the skylight manufacturer and the model are unknown, please specify the sash front edge dimensions when ordering. If necessary, please specify the frame shape (straight, sloping, rounded corners + edges).

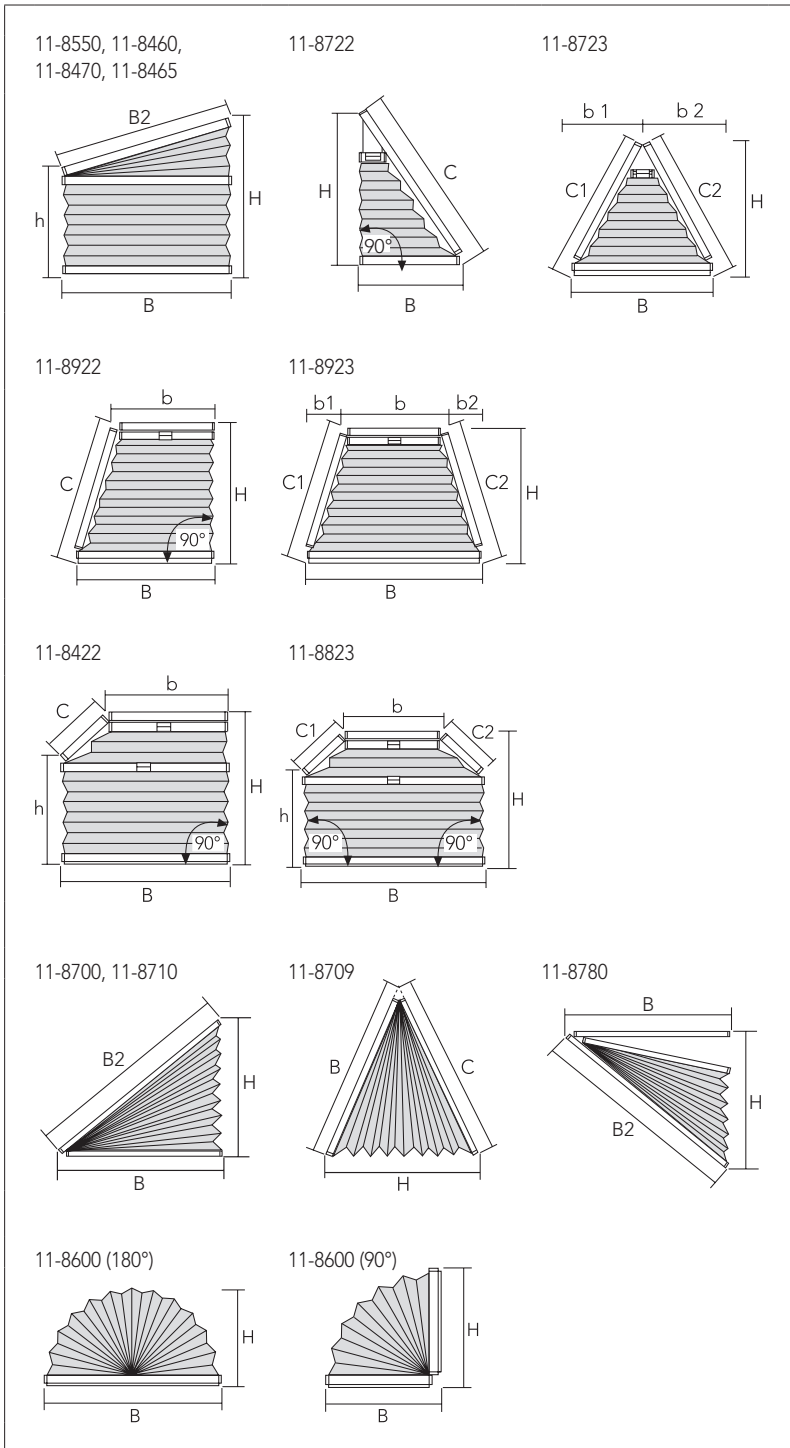
**Important:** It is not possible to manufacture according to clear glazing measurements!



### Windows without lockable window models:

- Ordering width (sash width front edge)
- Ordering height (sash height front edge)
- Clear width G (glass size)
- Clear height (glass size)
- Depth T of window sash
- Cross section sketch

# VERTICAL SPECIAL SHAPES



Please measure exactly.  
Make sure sketches are presented from the inside outwards.

## Installation in the window recess

Ordering measurements = clear dimensions

(Necessary values are subtracted by the manufacturer)

## Glazing bead installation

Ordering measurements = clear glass sizes

(Necessary values are subtracted by the manufacturer)

## Installation in front of the recess or on the window sash

Ordering measurements = clear dimensions + desired overhang

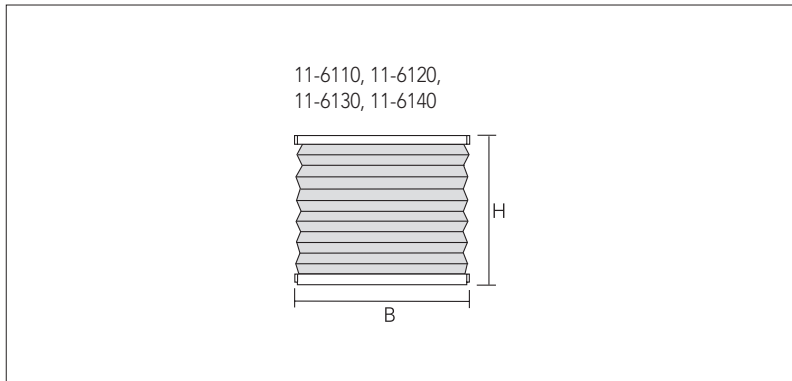
Please note: Bundle height, fittings and window catches

## Installation with glazing bead brackets (front)

Ordering measurements = circumferential glazing bead width (glazing bead outer edge to glazing bead outer edge)  
(Necessary values are subtracted by the manufacturer)

Further special shapes on request.

## CEILING - STANDARD AND SPECIAL SHAPES



### Ceiling standard shapes

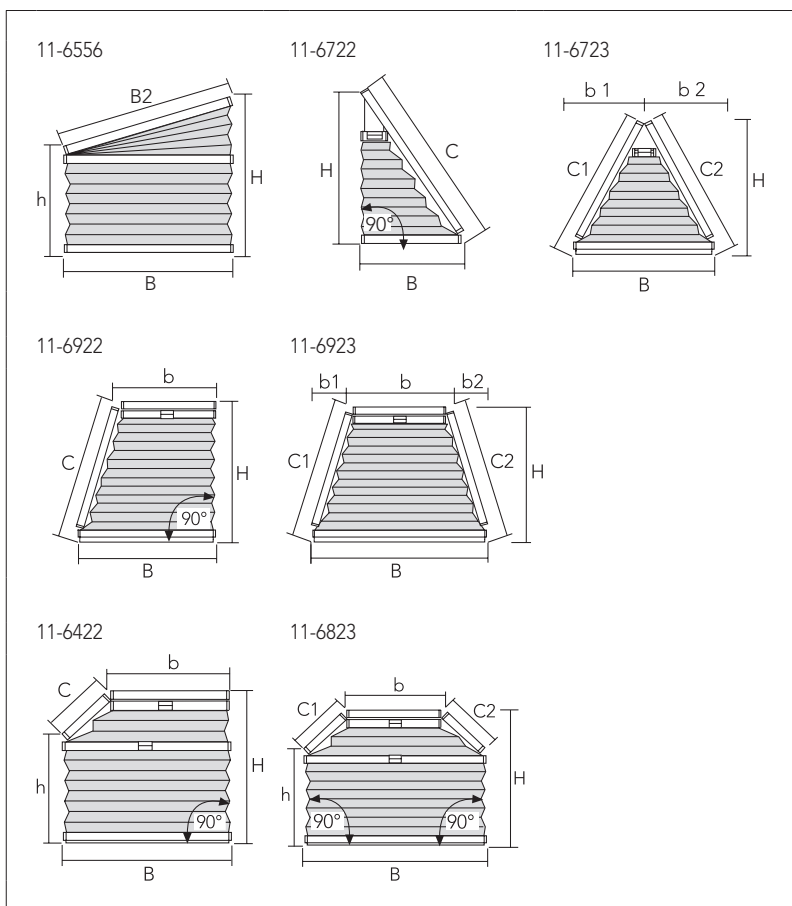
Installation in the recess

Ordering width= clear width - 5 mm

Ordering height= clear height - 5 mm

Please note: Mounting profile

Please measure exactly.  
Make sure sketches are presented  
from the inside outwards.



### Ceiling special shapes

Installation in the recess

Ordering measurements = clear  
dimensions

(Necessary values are subtracted by the  
manufacturer)

Please note: Mounting profile

Please measure exactly.  
Make sure sketches are presented from  
the inside outwards.

# INSTALLATION RECOMMENDATIONS

## Application area

Pleated blinds are only suitable for interior applications.

## Operation of the hanging

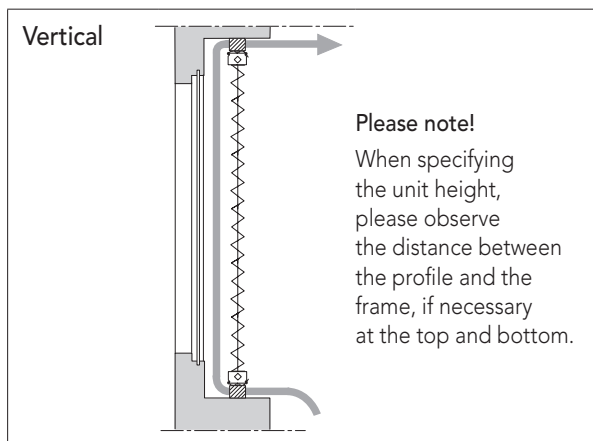
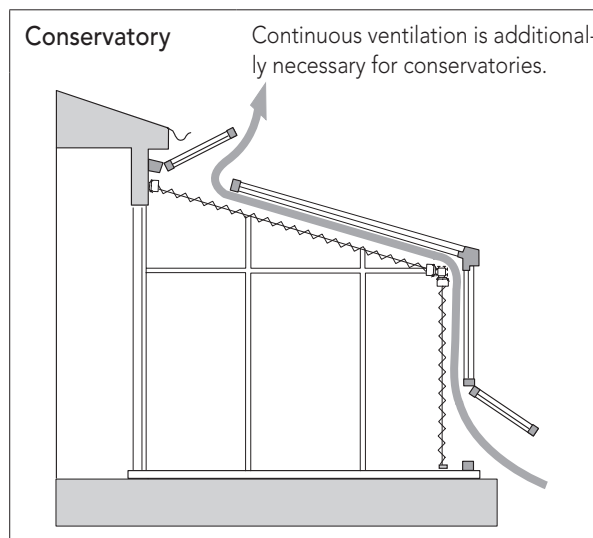
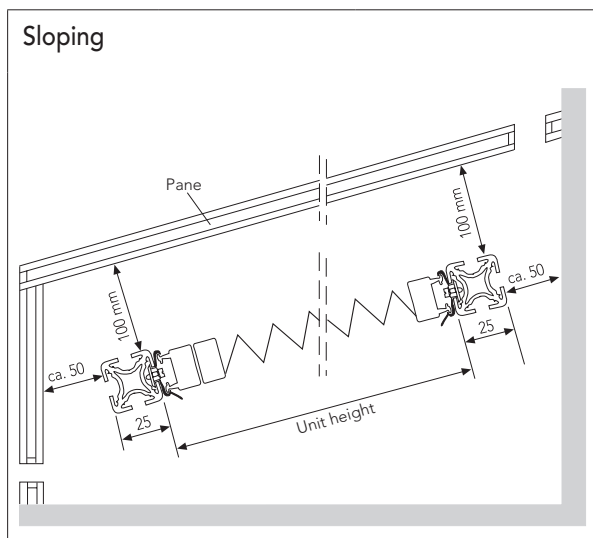
Regular operation of the units is necessary to retain the fabric pleats.

## Circulation of air and minimum distances

Mounting the pleated blinds too close to the window pane will result in heat from the incident sunlight being trapped and increases the risk of broken glass. Always ensure a sufficient circulation of air and observe the following minimum distances:

| Application areas           | Distance between the pane and the hanging | Distance between the profile and the frame |
|-----------------------------|-------------------------------------------|--------------------------------------------|
| Vertical glazing            | min. 2 cm                                 | min. 2 cm                                  |
| Ceilings and conservatories | min. 10 cm                                | min. 5 cm                                  |

Condensation water can form at night or on cold days when the temperature between the pleated blinds and the window pane drops considerably. A sufficient circulation of air in this case helps to prevent potential damage (e.g. water spots).



**Warranty**

We will not accept liability if the aforementioned recommendations are not applied.  
This also applies to damage caused by aggressive cleaning agents or fly droppings.



# Order form pleated blinds

Fax: +49 711 9751 4 1850



MHZ customer (please fill all fields)

Delivery address

Offer no.

Consignment

Date of delivery

Date

Customer no.

Customer's signature

| Pos. | Quantity | Types | Hardware colour | Fabric colour (colour no.) | Dimensions in cm |        | Mounting<br>Ceiling D<br>Wall W<br>Clamp bracket K<br>Glazing bead front G | Operation side |       | Operation length L in cm | Second fabric colour (colour no.) | Grip aluminium A | Side guide |          | Frame |
|------|----------|-------|-----------------|----------------------------|------------------|--------|----------------------------------------------------------------------------|----------------|-------|--------------------------|-----------------------------------|------------------|------------|----------|-------|
|      |          |       |                 |                            | Width            | Height |                                                                            | left           | right |                          |                                   |                  | sloping    | straight |       |
|      |          |       |                 |                            |                  |        |                                                                            |                |       |                          |                                   |                  |            |          |       |
|      |          |       |                 |                            |                  |        |                                                                            |                |       |                          |                                   |                  |            |          |       |
|      |          |       |                 |                            |                  |        |                                                                            |                |       |                          |                                   |                  |            |          |       |
|      |          |       |                 |                            |                  |        |                                                                            |                |       |                          |                                   |                  |            |          |       |
|      |          |       |                 |                            |                  |        |                                                                            |                |       |                          |                                   |                  |            |          |       |
|      |          |       |                 |                            |                  |        |                                                                            |                |       |                          |                                   |                  |            |          |       |
|      |          |       |                 |                            |                  |        |                                                                            |                |       |                          |                                   |                  |            |          |       |
|      |          |       |                 |                            |                  |        |                                                                            |                |       |                          |                                   |                  |            |          |       |
|      |          |       |                 |                            |                  |        |                                                                            |                |       |                          |                                   |                  |            |          |       |

Please note order details in price list! Please measure with millimetre precision for special shapes and include a sketch or template.

Sketch or other specifications

Appendix: Service offer for ordering:  please tick!









**Cherfan Draperies S.A.R.L., Jal El Dib Main Roan, P.O.Box 60-367 Beirut Lebanon**

**T + 961 4 710061 F + 961 4 719061 E [info@creashade.com](mailto:info@creashade.com) W [www.creashade.com](http://www.creashade.com)**

**Canada Branch: Creashade Canada Inc., 505 Industrial, Road Unit B2, Ottawa, Ontario K1G OZ1**

**T + 1 613 627 3959 M + 1 613 794 0097**