



**CREASHADE**  
SUN SHADING SOLUTIONS

# Technical Information

edition 03.2011

# AWNINGS





# LIST OF CONTENTS

Page

Overview of awning models T1-4

cassette awning VEGAS T1-5 up to T1-12

cassette awning VENUS T1-13 up to T1-20

tube awning VENTOS T1-21 up to T1-28

semi-cassette awning TETRIS T1-29 up to T1-37

carrier bar awning CLASSIC T1-39 up to T1-49

carrier bar awning CLASSIC Maxima T1-51 up to T1-59

accessories LIGHT BAR T1- 61up to T1-64

accessories HEATER T1-65 up to T1-67

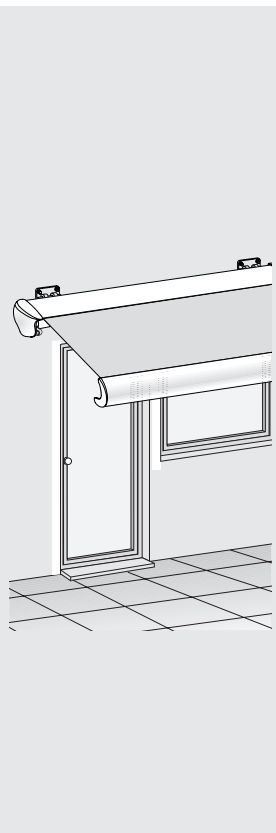
vertical- and drop arm awning LOGGIA T1-69 up to T1-73

side awning SOLEO T1-75 up to T1-78

fan TERRAZZO T1-79 up to T1-82

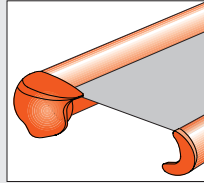
# OVERVIEW OF AWNINGS MODELS

## Terrace and balcony



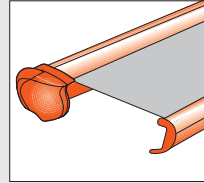
### cassette awnings

#### VEGAS



item no.	installation
08-1401	wall
08-1402	ceiling

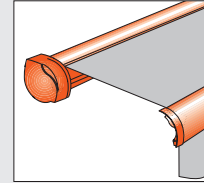
#### VENUS



item no.	installation
08-1411	wall
08-1412	ceiling
08-1413	niche

### tube awning

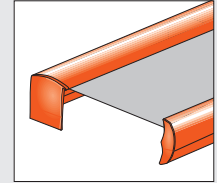
#### VENTOS



item no.	installation
08-1846	wall
08-1847	ceiling

### semi-cassette awning

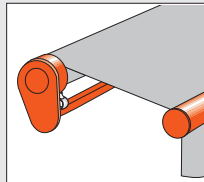
#### TETRIS



item no.	installation
08-1883	wall
08-1884	ceiling

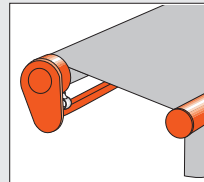
### carrier bar awning

#### CLASSIC



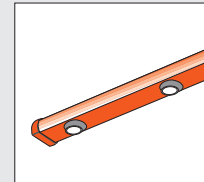
item no.	installation
08-1851	wall
08-1852	ceiling

#### CLASSIC Maxima

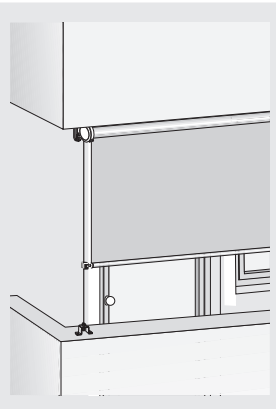
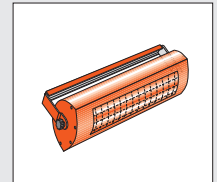


item no.	installation
08-1866	wall
08-1867	ceiling

### light bar

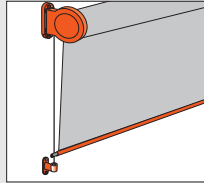


### heater



### vertical awning

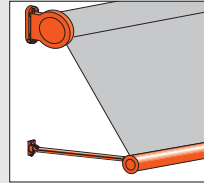
#### LOGGIA LS



item no.	installation
08-1575	wall
08-1576	niche

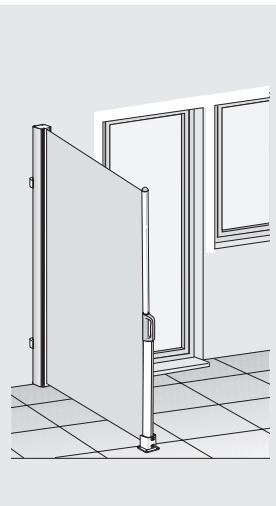
### drop arm awning

#### LOGGIA LF



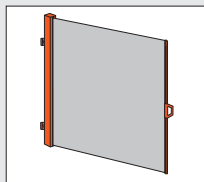
item no.	installation
08-1577	wall
08-1578	niche

For additional vertical- and drop arm awnings please see index „window and facade awnings“



### side awning

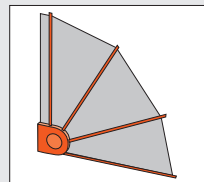
#### SOLEO



item no.	installation
08-1245	wall

### fan

#### TERRAZZO



item no.	installation
08-1240	wall

# VEGAS



# VEGAS

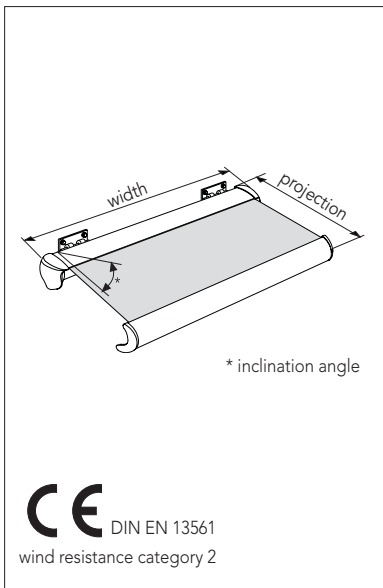
Advise to DIN EN 13561

The standard delivered brackets are for installation on concrete C20/25. Due to static reasons, it is mandatory to advise with the order, if there is an other installation substructure, or installation on insulated plaster, then it is necessary to use different brackets, respectively other accessories (additional charge).

## PRODUCT OUTLINE

item no. 08-1401 wall installation  
 item no. 08-1402 ceiling installation

Retractable awning with aluminium cassette in two parts (upper part removable) and c-shaped drop bar for all-year weather protection of fabric and technology. The fabric tube is made of galvanized steel (ø 90 mm). Lateral folding arms, transmission of power with strap hinge, angle of inclination is adjustable with spindle. Brackets for installation on concrete C20/25. Manual operation with crank or electric motion. Awning is without valance. Coupled awnings with two fabrics (fabric gap ca. 7 cm).



### Technical details

**width and projection:** - width from 190 cm up to 650 cm, coupled from 651 cm up to 1200 cm  
 - projection 150 / 200 / 250 / 300 / 350 / 400 cm

width of fabric	maximum projection
from 190 cm	150 cm
from 240 cm	200 cm
from 290 cm	250 cm
from 340 cm	300 cm
from 390 cm	350 cm
from 440 cm	400 cm

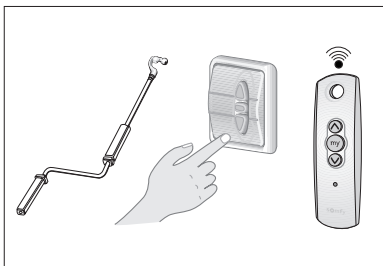
**inclination angle:** – adjustable from 5° up to 35°

**frame colours:** – **standard colours:**

- white powder coated RAL 9016 (MHZ-no. 171)
- brown powder coated RAL 8019 (MHZ-no. 584)
- anthracite powder coated DB 703 (MHZ-no. 703)
- silver powder coated RAL 9006 (MHZ-no. 900)

– **special colours:** as per RAL colour chart

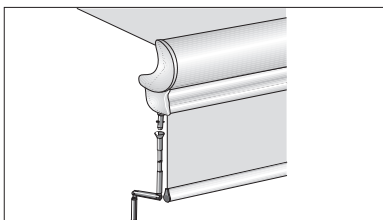
**awning fabric:** – please see MHZ fabric range for awnings and shading systems



### Operation

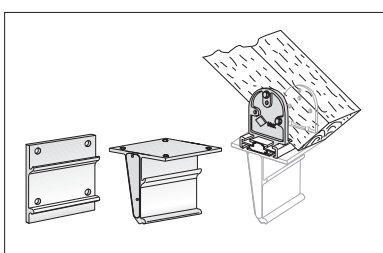
**hand crank operation:** for dimensions up to 600 cm width and 350 cm projection with integrated gear with sliding clutch (GFT), removable crank in different standard length (100, 120, 140, 160, 180, 200 cm). projection 400 cm only with electric motion.

**electric motion:** with electronic torque limit stop and thermal protection. Option: motor with integrated radio receiver and hand transmitter.



### Additional equipment

**VERTIMA** drop valance, for width up to max. 600 cm and projection up to 300 cm, integrated inside of special drop bar. Height approx. 150 cm. Operation with removable crank (length 60 cm).



### Installation

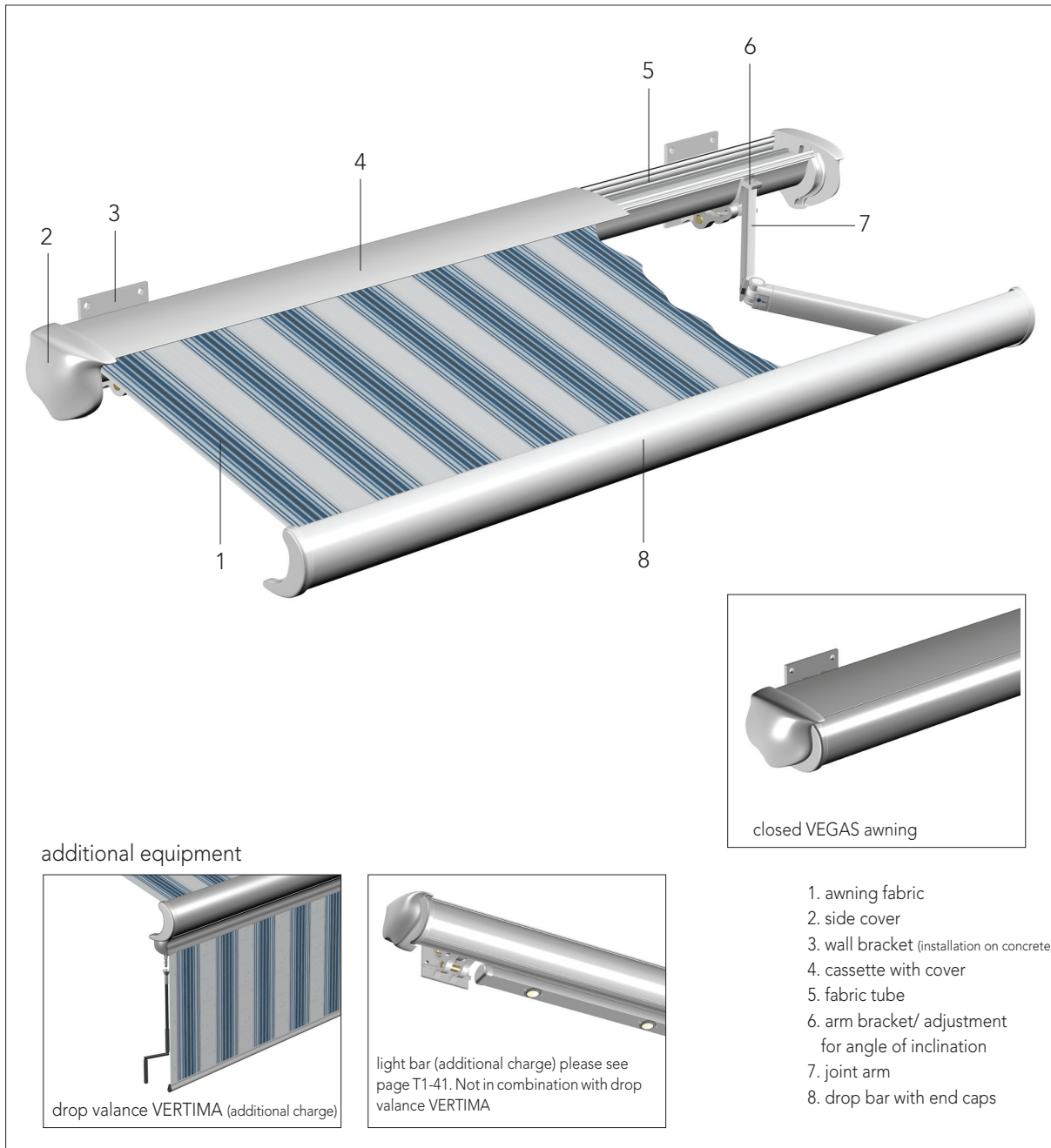
(installation on concrete C20/25, delivery of awning without installation screws respectively dowels)

**installation on:** wall, ceiling (accessory), rafter\* (accessory)

**Advice:** the delivered installation brackets are for installation on concrete C20/25. Other installation substructure, as well as installation on insulated plaster is mandatory to be mentioned with the order, because other installation brackets or accessories could be necessary (additional charge). Please consider the extraction forces.

\***Advice:** for installation on wood, wind resistance category 0 is valid.

## MODEL ILLUSTRATION



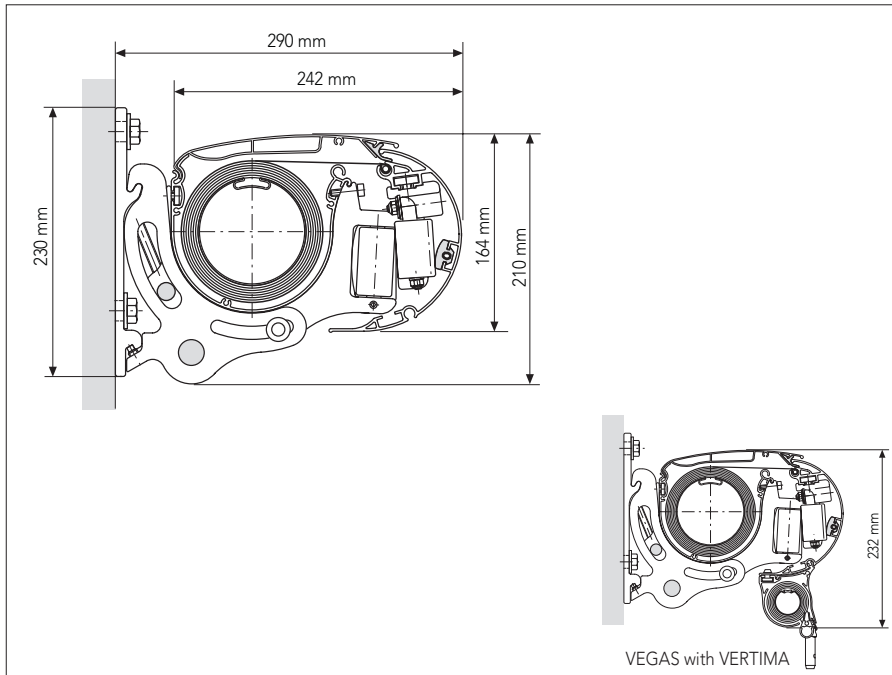
**Order details** please use order form for awnings ([www.mhz.de](http://www.mhz.de))

item no.	mode of operation	accessories
frame colours	operation side (seen from outside)	
width	length of crank	
projection	installation	
fabric no.	installation substructure* (maybe additional charge)	

**\*Advise:** for orders without details of installation substructure you will receive brackets for the installation on concrete C20/25. Please consider the respective extraction forces depending on the installation substructure and the bracket set. Other installation substructure, as well as installation on insulated plaster is mandatory to be mentioned on the order, because other accessories could be necessary (additional charge).

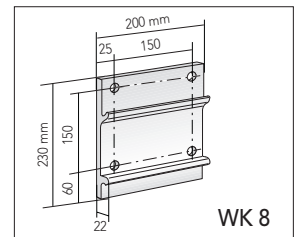
# VEGAS

## TECHNICAL DETAILS

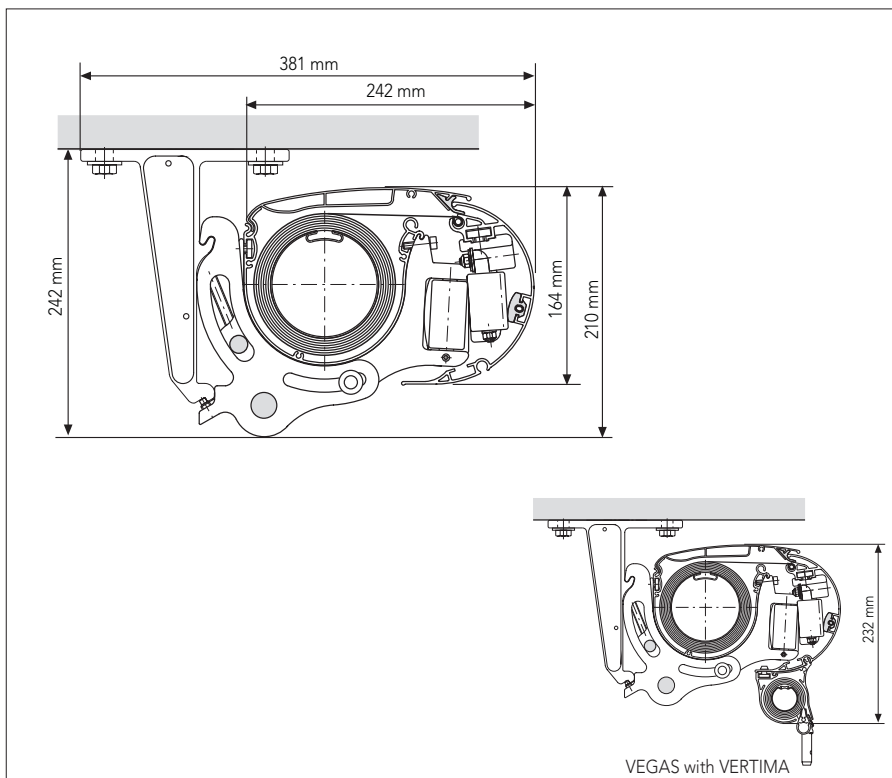
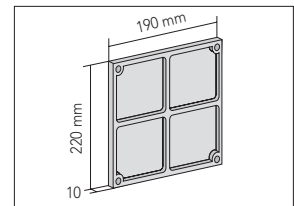


### wall installation

**standard wall bracket**  
for installation on concrete  
for angle of inclination 5° up  
to 35° (delivered with awning)

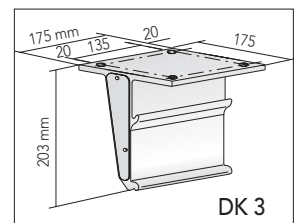


**distance plate for insulated  
plaster, 10 mm (accessory)**

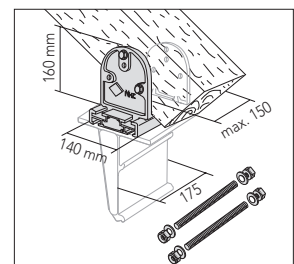


### ceiling installation

**standard ceiling bracket**  
for installation on concrete for  
angle of inclination 5° up to 35°  
(additional charge)



**rafter bracket\***  
(accessory)

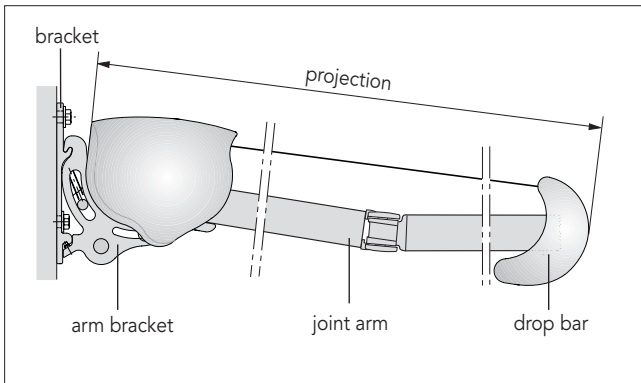


If required we will send to you 1:1 drawings of our awning constructions for wall and ceiling installation.

\* **Please note:** for rafter installation on wood the wind resistance category 0 is valid, the maximum projection is 300 cm. The substructure has to be inspected for static. Please draw a sketch with position of awning, rafters and the space between. Please ask for dimension between axes form sheet VEGAS.

## TECHNIC AND DIMENSIONS

### Brackets and joint arms



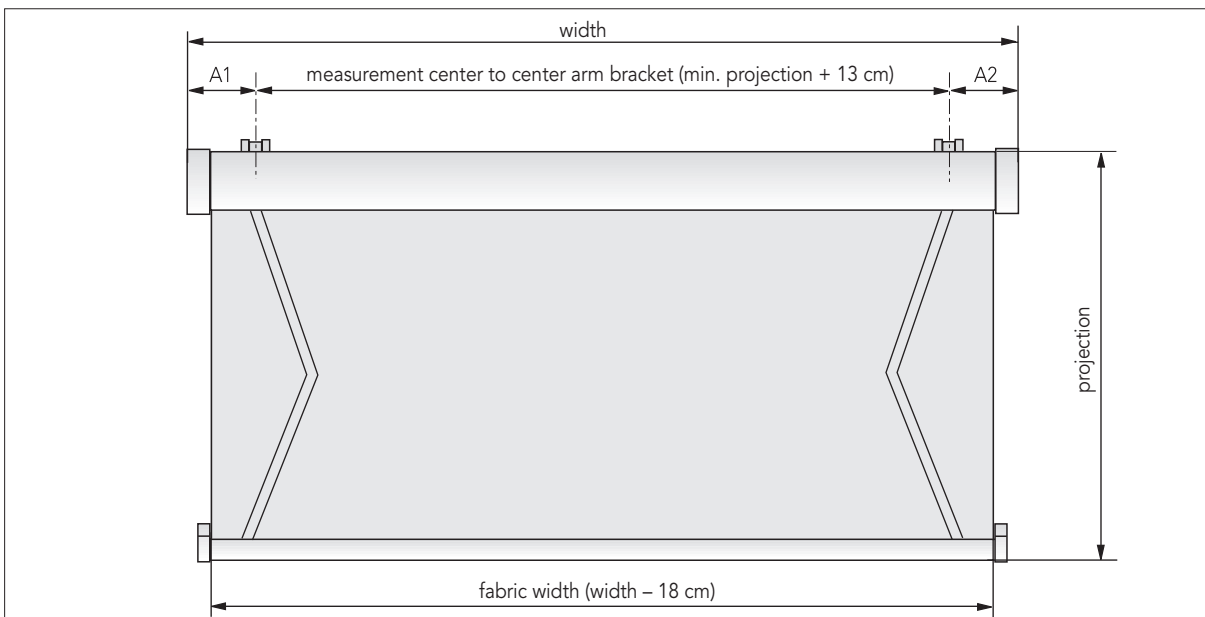
width of awning in cm	number of brackets	number of joint arms
190 - 600	2	2
601 - 650	3*	3*
651 - 1200	4	4

\*at projection of 400 cm with 2 brackets and 2 joint arms

Advice: for installation on other substructures you might require for static reasons other brackets, which have a different size, shape and amount of fixation points (screws) per bracket (on request).

Please note: at projection of 400 cm it is possible, that the fabric contacts the joint arms while running-out and -in and it can not be totally avoided that the fabric sags at extended position at larger widths of awning.

### Projection and measurement of center to center arm bracket



measurement center to center arm bracket A1,A2 in cm for installation on concrete

width of awning in cm	projection of awning in cm					
	150	200	250	300	350	400
190 - 239	14	-	-	-	-	-
240 - 289	38	14	-	-	-	-
290 - 339	61	38	14	-	-	-
340 - 389	81	61	38	14	-	-
390 - 439	81	81	61	38	14	-
440 - 489	81	81	81	61	38	14
490 - 539	81	81	81	81	61	38
540 - 600	81	81	81	81	81	61

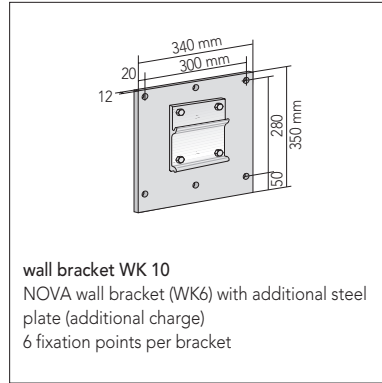
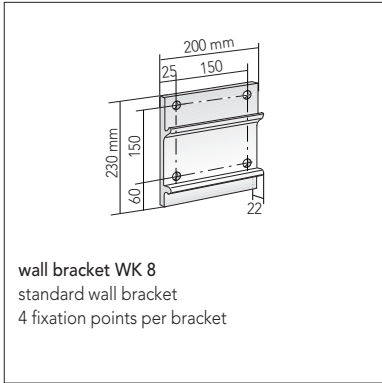
**Please note:** standard is that measurement of center to center arm bracket A1 and A2 is the same. Measurement of center to center arm bracket for awnings with three and four joint arms on request. Special measurement of center to center arm bracket for installation on other substructures are also possible on request. Please ask for info sheet of measurement of center to center arm bracket VEGAS.

# VEGAS

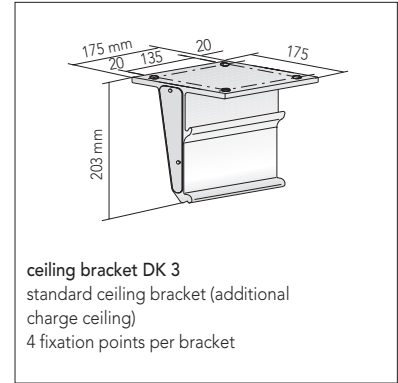
**Advise to DIN EN 13561**  
 The standard delivered brackets are for installation on concrete C20/25. Due to static reasons, it is mandatory to advise with the order, if there is an other installation substructure, or installation on insulated plaster, then it is necessary to use different brackets, respectively other accessories (additional charge).

## BRACKET SET (K-SET)

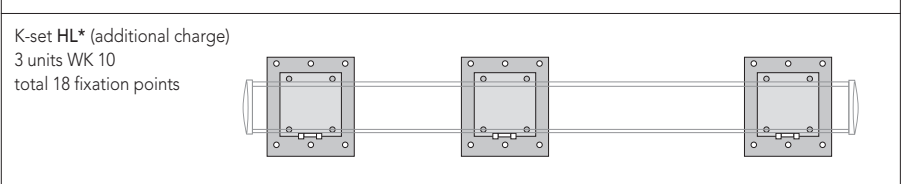
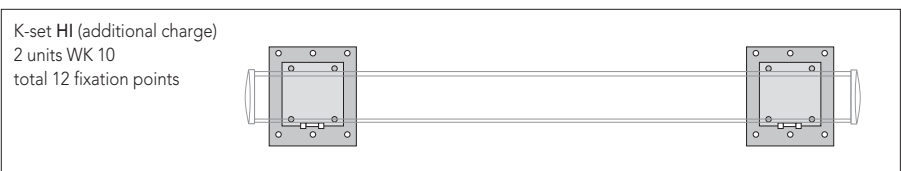
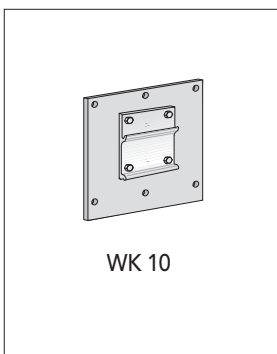
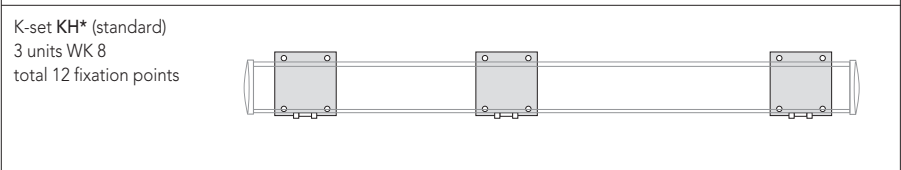
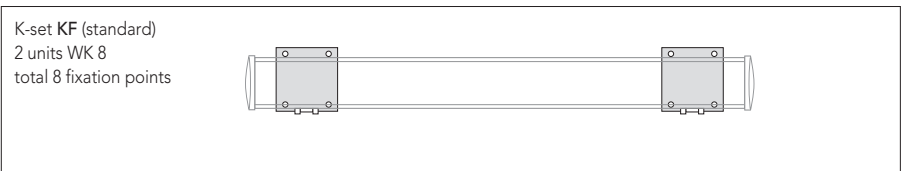
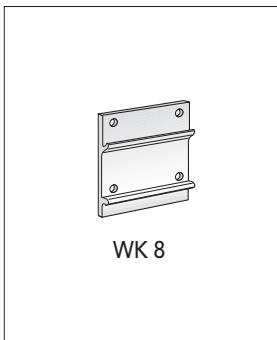
### wall brackets



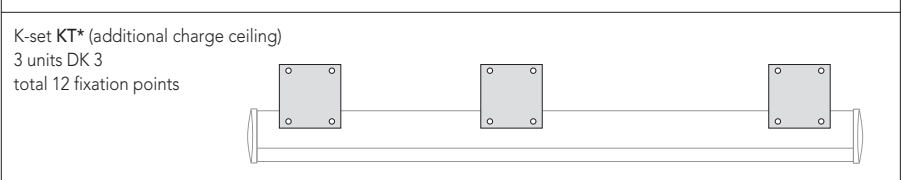
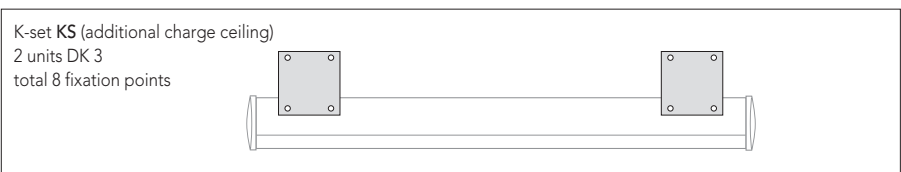
### ceiling brackets



### wall installation



### ceiling installation



Installation brackets have to be installed at the arm bracket (consider measurement of center to center arm bracket).

\* From width 601 cm an additional third arm in left or right version will be needed.

# VEGAS

## EXTRACTION FORCES AND BRACKET SETS for wind resistance category 2

Extraction forces in Newton (N) per installation screw

In order that the wind resistance categories, which are stated by us, holds the validity, the fastener of the assembler has to match with the substructure. For incoming orders without details of installation substructure you will receive brackets for the installation on concrete C20/25. Please keep in mind, that these brackets are possibly not usable for other substructure. To fulfil the DIN EN 13561 it is essential to install the kind and number of brackets which are recommended per product. Thereby you have to consider absolutely the determined dowel extraction forces, as well as the installation and mounting references of the producer of fastener (inclusive edge distance). Accurate extraction forces depending to thickness of insulated plaster and the demanded bracket set, as well as installation on other substructure, on request (please also see column CLASSIC insulated plaster systems on page T1-45). **Coupled systems** are calculated as two single systems (system width = 1/2 total width). The bracket set (K-set) will be needed twice.

### VEGAS without VERTIMA

wall installation on concrete C20/25

width in cm	projection in cm											
	150		200		250		300		350		400	
	N	K-Set	N	K-Set	N	K-Set	N	K-Set	N	K-Set	N	K-Set
250	300	KF	471	KF								
300	349	KF	545	KF	769	KF						
350	397	KF	620	KF	874	KF	1212	KF				
400	446	KF	695	KF	980	KF	1353	KF	1767	KF		
450	494	KF	769	KF	1085	KF	1495	KF	1949	KF	2819	KF
500	543	KF	844	KF	1191	KF	1636	KF	2391	KF	3082	KF
550	591	KF	918	KF	1297	KF	1988	KF	2600	KF	3345	KF
600	640	KF	993	KF	1402	KF	2149	KF	2810	KF	3608	KF
650	459	KH	712	KH	1121	KH	1540	KH	2012	KH	3871	KF

wall installation on brick ≥ MZ 12

width in cm	projection in cm											
	150		200		250		300		350		400	
	N	K-Set	N	K-Set	N	K-Set	N	K-Set	N	K-Set	N	K-Set
250	300	KF	471	KF								
300	349	KF	545	KF	769	KF						
350	397	KF	620	KF	874	KF	1212	KF				
400	446	KF	695	KF	980	KF	560	HI	731	HI		
450	494	KF	769	KF	1085	KF	619	HI	806	HI	1166	HI
500	543	KF	844	KF	1191	KF	678	HI	990	HI	on request	
550	591	KF	918	KF	538	HI	824	HI	1077	HI	on request	
600	640	KF	993	KF	582	HI	891	HI	1164	HI	on request	
650	459	KH	712	KH	1121	KH	639	HL	834	HL	on request	

wall installation on vertically perforated brick ≥ HLZ 12

width in cm	projection in cm											
	150		200		250		300		350		400	
	N	K-Set	N	K-Set	N	K-Set	N	K-Set	N	K-Set	N	K-Set
250	300	KF	471	KF								
300	349	KF	545	KF	769	KF						
350	397	KF	620	KF	874	KF	1212	KF				
400	446	KF	695	KF	980	KF	560	HI	731	HI		
450	494	KF	769	KF	1085	KF	619	HI	806	HI	1166	HI
500	543	KF	844	KF	1191	KF	678	HI	990	HI	on request	
550	591	KF	918	KF	538	HI	824	HI	1077	HI	on request	
600	640	KF	993	KF	582	HI	891	HI	1164	HI	on request	
650	459	KH	712	KH	1121	KH	639	HL	834	HL	on request	

wall installation on gas concrete ≥ PB 2

width in cm	projection in cm											
	150		200		250		300		350		400	
	N	K-Set	N	K-Set	N	K-Set	N	K-Set	N	K-Set	N	K-Set
250	300	KF	471	KF								
300	349	KF	545	KF	769	KF						
350	397	KF	620	KF	874	KF	501	HI				
400	446	KF	695	KF	980	KF	560	HI	731	HI		
450	494	KF	769	KF	450	HI	619	HI	806	HI	on request	
500	543	KF	844	KF	494	HI	678	HI	990	HI	on request	
550	591	KF	918	KF	538	HI	824	HI	on request	on request		
600	640	KF	993	KF	582	HI	891	HI	on request	on request		
650	459	KH	712	KH	466	HL	639	HL	834	HL	on request	

ceiling installation on concrete C20/25

width in cm	projection in cm											
	150		200		250		300		350		400	
	N	K-Set	N	K-Set	N	K-Set	N	K-Set	N	K-Set	N	K-Set
250	478	KS	715	KS								
300	558	KS	830	KS	1139	KS						
350	638	KS	946	KS	1298	KS	1766	KS				
400	717	KS	1062	KS	1457	KS	1974	KS	2547	KS		
450	797	KS	1178	KS	1615	KS	2182	KS	2811	KS	4015	KS
500	877	KS	1293	KS	1774	KS	2391	KS	3436	KS	4392	KS
550	956	KS	1409	KS	1933	KS	2890	KS	3738	KS	4768	KS
600	1036	KS	1525	KS	2091	KS	3126	KS	4040	KS	5145	KS
650	744	KT	1094	KT	1660	KT	2241	KT	2895	KT	5522	KS

Subject to technical changes, edition 03.2011

N = extraction force in Newton (N) per installation screw; K-set = intended bracket set

### VEGAS with VERTIMA

wall installation on concrete C20/25

width in cm	projection in cm											
	150		200		250		300		350		400	
	N	K-Set	N	K-Set	N	K-Set	N	K-Set	N	K-Set	N	K-Set
250	453	KF	675	KF								
300	533	KF	791	KF	1075	KF						
350	612	KF	906	KF	1232	KF	1641	KF				
400	691	KF	1022	KF	1389	KF	1844	KF				
450	770	KF	1137	KF	1545	KF	2047	KF				
500	849	KF	1253	KF	1702	KF	2249	KF				
550	929	KF	1368	KF	1859	KF	2663	KF				
600	1008	KF	1484	KF	2015	KF	2885	KF				
650												

wall installation on brick ≥ MZ 12

width in cm	projection in cm											
	150		200		250		300		350		400	
	N	K-Set	N	K-Set	N	K-Set	N	K-Set	N	K-Set	N	K-Set
250	453	KF	675	KF								
300	533	KF	791	KF	1075	KF						
350	612	KF	906	KF	1232	KF	679	HI				
400	691	KF	1022	KF	576	HI	763	HI				
450	770	KF	1137	KF	641	HI	848	HI				
500	849	KF	520	HI	706	HI	932	HI				
550	929	KF	568	HI	771	HI	1104	HI				
600	1008	KF	616	HI	836	HI						
650												

wall installation on vertically perforated brick ≥ HLZ 12

width in cm	projection in cm											
	150		200		250		300		350		400	
	N	K-Set	N	K-Set	N	K-Set	N	K-Set	N	K-Set	N	K-Set
250	453	KF	675	KF								
300	533	KF	791	KF	1075	KF						
350	612	KF	906	KF	1232	KF	679	HI				
400	691	KF	1022	KF	576	HI	763	HI				
450	770	KF	1137	KF	641	HI	848	HI				
500	849	KF	520	HI	706	HI	932	HI				
550	929	KF	568	HI	771	HI	1104	HI				
600	1008	KF	616	HI	836	HI	1196	HI				
650												

wall installation on gas concrete ≥ PB 2

width in cm	projection in cm											
	150		200		250		300		350		400	
	N	K-Set	N	K-Set	N	K-Set	N	K-Set	N	K-Set	N	K-Set
250	453	KF	675	KF								
300	533	KF	791	KF	445	HI						
350	612	KF	906	KF	510	HI	679	HI				
400	691	KF	1022	KF	576	HI	763	HI				
450	770	KF	472	HI	641	HI	848	HI				
500	849	KF	520	HI	706	HI	932	HI				
550	929	KF	568	HI	771	HI	on request					
600	1008	KF	616	HI	836	HI	on request					
650												

ceiling installation on concrete C20/25

width in cm	projection in cm											
	150		200		250		300		350		400	
	N	K-Set	N	K-Set	N	K-Set	N	K-Set	N	K-Set	N	K-Set
250	690	KS	997	KS								
300	813	KS	1170	KS	1564	KS						
350	935	KS	1342	KS	1793	KS	2360	KS				
400	1057	KS	1515	KS	2023	KS	2653	KS				
450	1179	KS	1687	KS	2252	KS	2946	KS				
500	1301	KS	1859	KS	2481	KS	3240	KS				
550	1423	KS	2032	KS	2711	KS	3824	KS				
600	1545	KS	2204	KS	2940	KS	4145	KS				
650												



# VENUS



# VENUS

Advise to DIN EN 13561

The standard delivered brackets are for installation on concrete C20/25. Due to static reasons, it is mandatory to advise with the order, if there is an other installation substructure, or installation on insulated plaster, then it is necessary to use different brackets, respectively other accessories (additional charge).

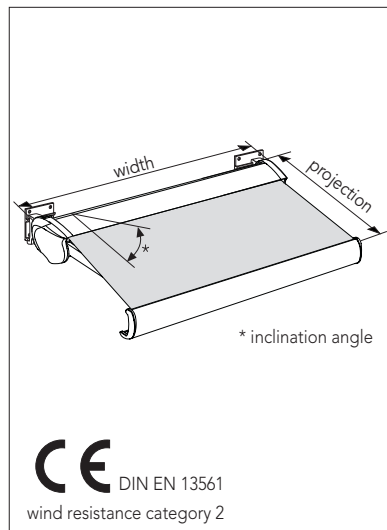
## PRODUCT OUTLINE

item no. 08-1411 wall installation

item no. 08-1412 ceiling installation

item no. 08-1413 niche installation

Retractable awning in compact design with aluminium cassette inclusive cover profile and c-shaped drop bar for all-year weather protection of fabric and technology. The fabric tube is made of galvanized steel (ø 78 mm), lateral bearings with receiver for joint arms and fabric tube, adjusting screw for angle of inclination, wrenched joint arms, transmission of power with strap hinge. Brackets for installation on concrete C20/25. Manual operation with crank or electric motion. Awning is without valance.



## Technical details

**width and projection:** – width from 180 cm up to 500 cm  
– projection 150 / 200 / 250 / 300 cm

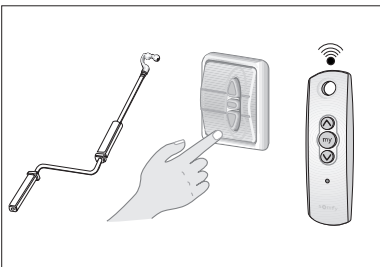
width of awning	maximum projection
from 180 cm	150 cm
from 230 cm	200 cm
from 280 cm	250 cm
from 330 cm	300 cm

**inclination angle:** – adjustable from 5° up to 40°

**frame colours:** – **standard colours:**  
white powder coated RAL 9016 (MHZ-no. 171)  
brown powder coated RAL 8019 (MHZ-no. 584)  
anthracite powder coated DB 703 (MHZ-no. 703)  
silver powder coated RAL 9006 (MHZ-no. 900)  
– **special colours:** as per RAL colour chart

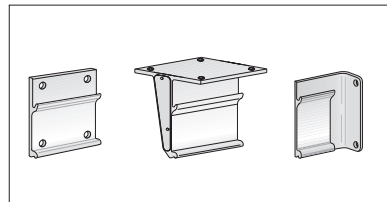
**awning fabric:** – please see MHZ fabric range for awnings and shading systems

## Operation



**hand crank operation:** with integrated control for direction of rotation, removable crank in different standard length (100, 120, 140, 160, 180, 200 cm).

**electric motion:** with electronic torque limit stop and thermal protection.  
Option: motor with integrated radio receiver and hand transmitter.



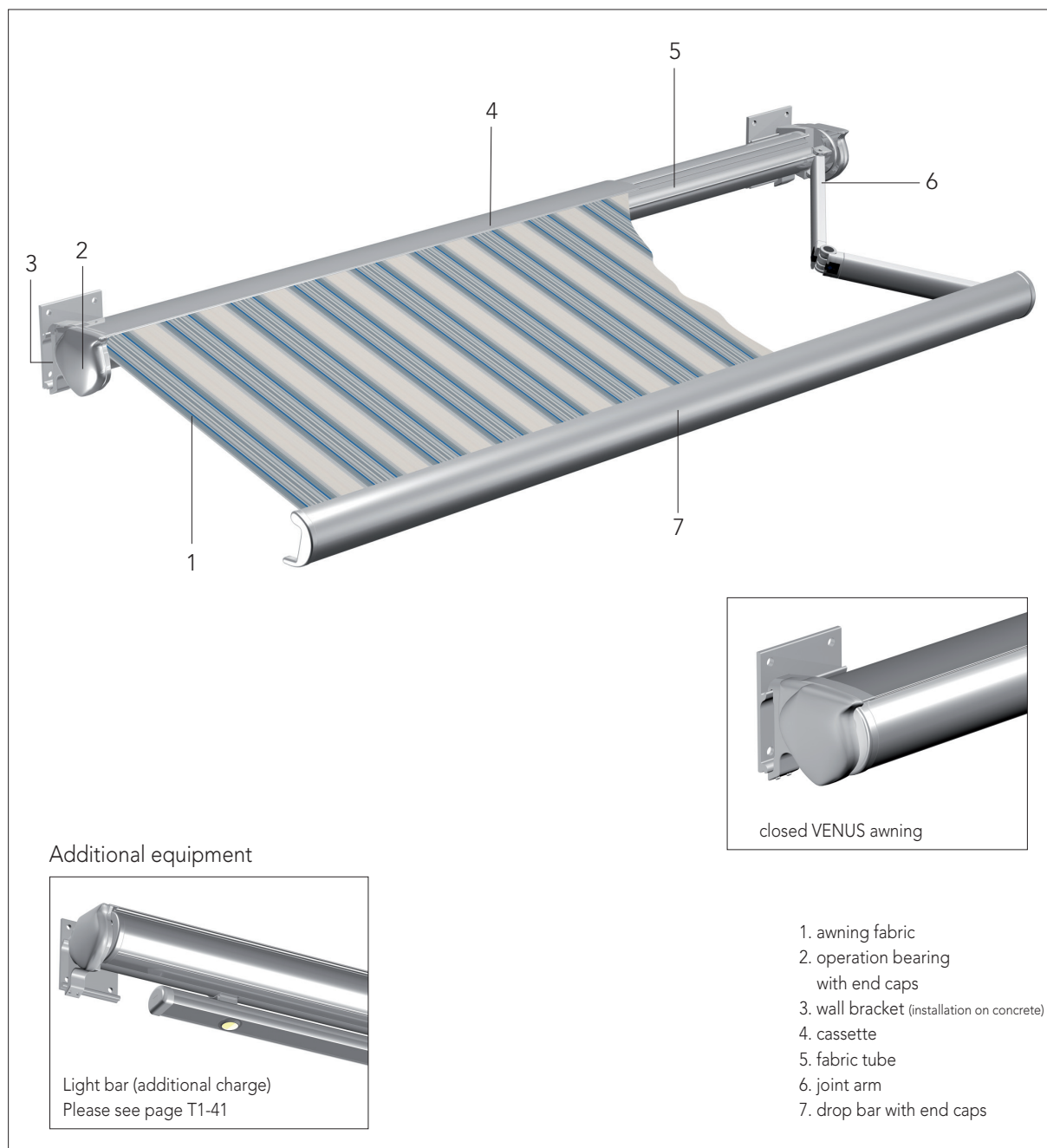
## Installation (for installation on concrete C20/25, delivery of awning without installation screws respectively dowels)

**installation on:** wall, ceiling (accessory), niche (accessory)

**Advise:** the delivered installation brackets are for installation on concrete C20/25. Other installation substructure, as well as installation on insulated plaster is mandatory to be mentioned with the order, because other installation brackets or accessories could be necessary (additional charge). Please consider the extraction forces.

\* **Advise:** for installation on wood, wind resistance category 0 is valid.

## MODEL ILLUSTRATION



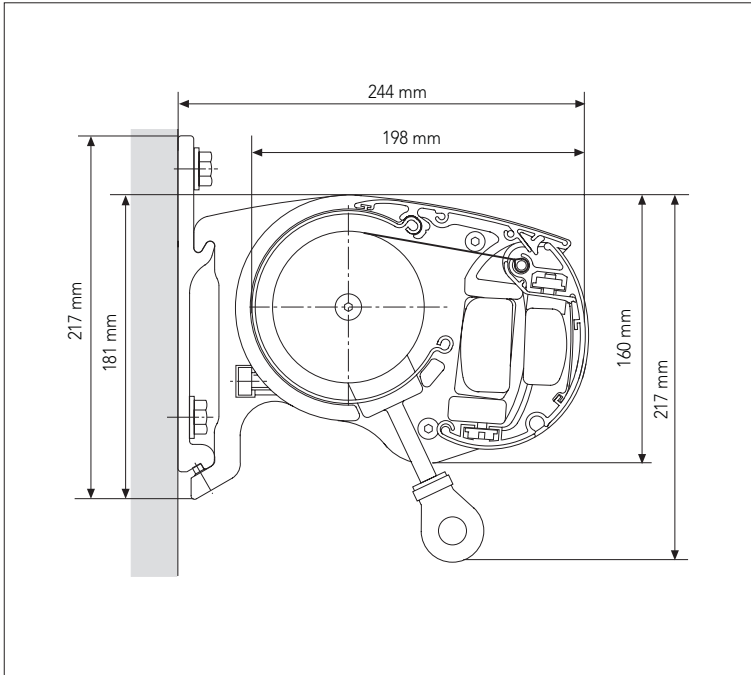
**Order details** please use order form for awnings ([www.mhz.de](http://www.mhz.de))

item no.	mode of operation	accessories
frame colours	operation side (seen from outside)	
width	length of crank	
projection	installation	
fabric no.	substructure of installation* (maybe additional charge)	

**\*Advise:** for orders without details of installation substructure you will receive brackets for the installation on concrete C20/25. Please consider the respective extraction forces depending on the installation substructure and the bracket set. Other installation substructure, as well as installation on insulated plaster is mandatory to be mentioned with the order, because other accessories could be necessary (additional charge).

# VENUS

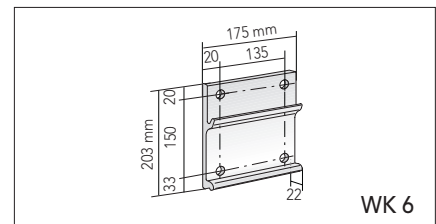
## TECHNICAL DETAILS



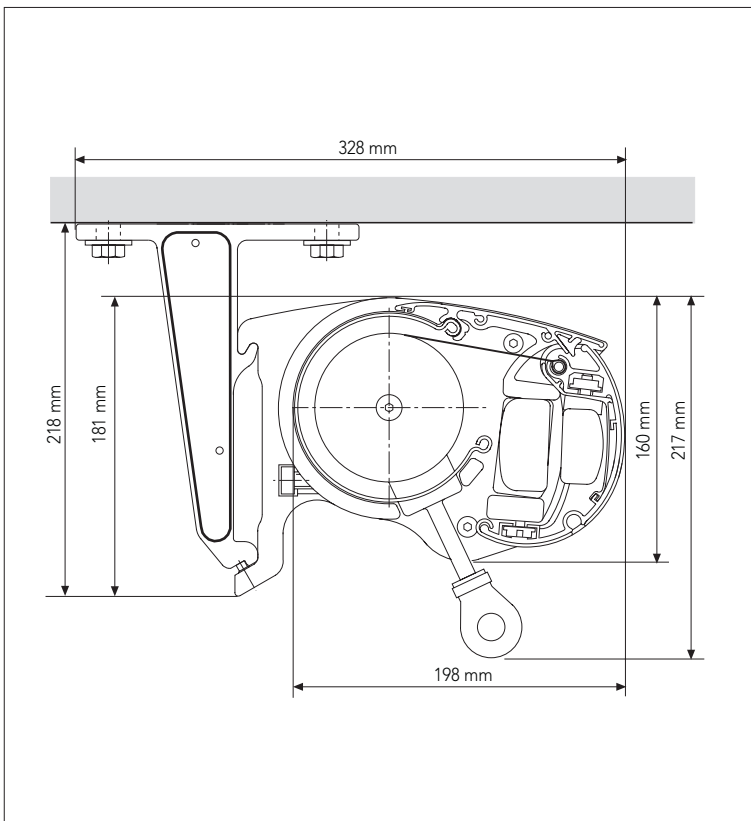
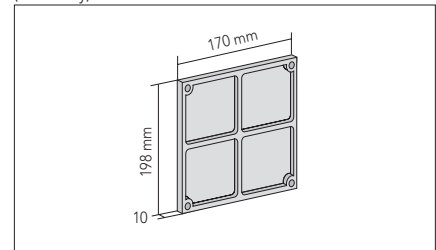
### wall installation

#### standard wall brackets

for installation on concrete for an angle of inclination 5° up to 40° (delivered with awning)



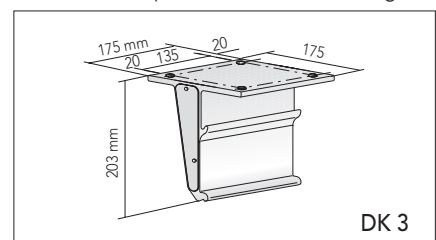
distance plate for insulated plaster, 10 mm (accessory)



### ceiling installation

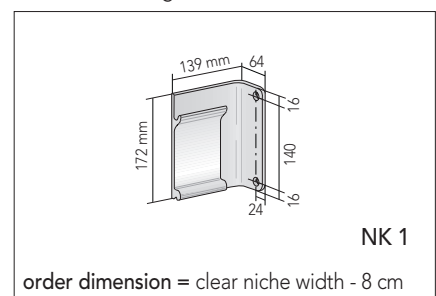
#### standard ceiling bracket

for installation on concrete for an angle of inclination 5° up to 40° (additional charge)



#### niche bracket

for an angle of inclination 5° up to 40° (additional charge)



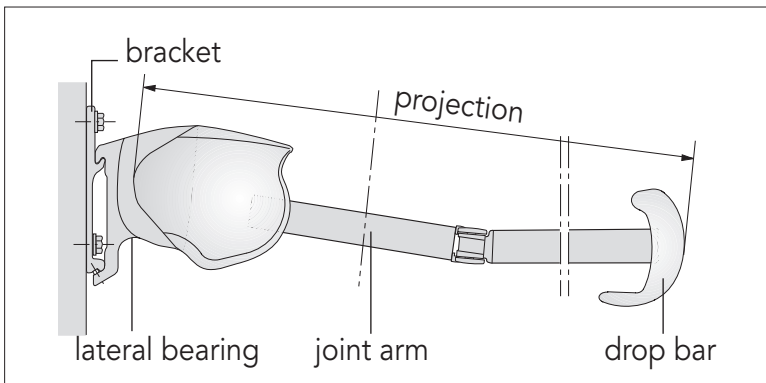
order dimension = clear niche width - 8 cm

If required we will send to you 1:1 drawings of our awning constructions for wall and ceiling installation.

Brackets for the installation on other substructure on request.

## TECHNIC AND DIMENSIONS

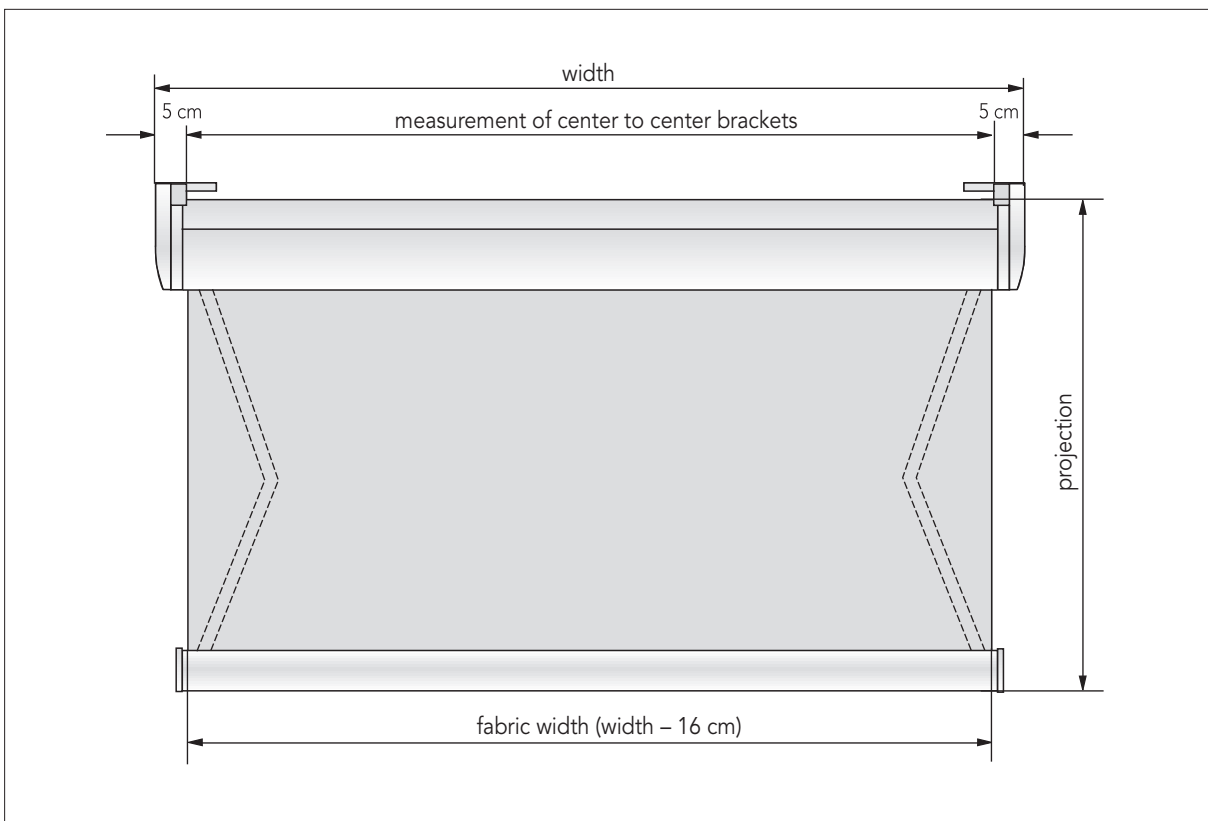
### brackets and joint arms



width of awning in cm	number of brackets	number of joint arms
180 - 500	2	2

Please note: at projection of 400 cm it is possible, that the fabric contacts the joint arms while running-out and -in and it can not be totally avoided that the fabric sags at extended position at larger widths of awning.

### Projection and measurement of center to center brackets



**Please note:** it is not possible to change the measurement of center to center brackets at this type of awning.

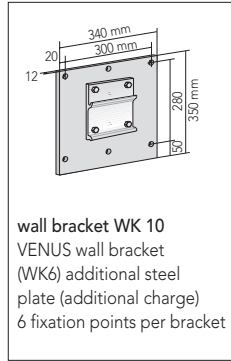
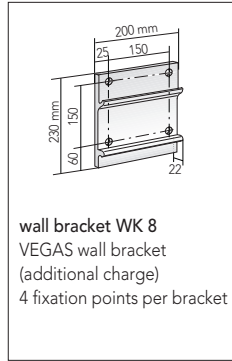
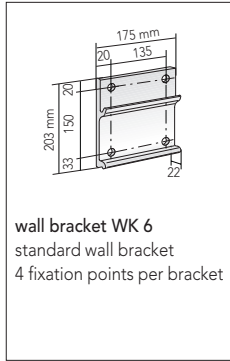
# VENUS

Advise to DIN EN 13561

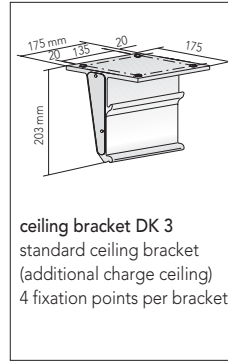
The standard delivered brackets are for installation on concrete C20/25. Due to static reasons, it is mandatory to advise with the order, if there is an other installation sub-structure, or installation on insulated plaster, then it is necessary to use different brackets, respectively other accessories (additional charge).

## BRACKET SET (K-SET)

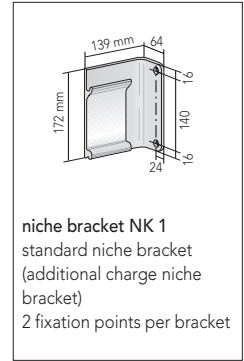
### wall brackets



### ceiling bracket



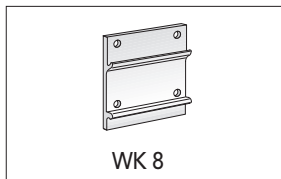
### niche bracket



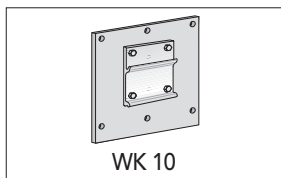
### wall installation



K-Set HF (standard)  
2 units WK 6  
total 8 fixation points



K-Set KF (additional charge)  
2 units WK 8  
total 8 fixation points



K-Set HI (additional charge)  
2 units WK 10  
total 12 fixation points



### ceiling installation



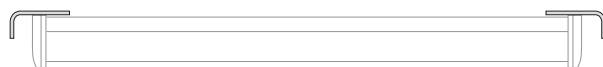
K-Set KS additional charge ceiling)  
2 units DK 3  
total 8 fixation points



### niche installation



K-Set HV (additional charge niche)  
2 units NK 1  
total 4 fixation points



Please note: at this type of awning, the brackets can only be installed at the end where the lateral bearings are. It is not possible to change the measurement of center to center brackets.

# VENUS

## EXTRACTION FORCES AND BRACKET SETS for wind resistance category 2

Extraction forces in Newton (N) per installation screw

In order that the wind resistance categories which are stated by us holds the validity, the fastener of the assembler has to match with the substructure. For incoming orders without details of installation substructure you will receive brackets for the installation on concrete C20/25. Please keep in mind, that these brackets are possibly not usable for other substructure. To fulfil the DIN EN 13561 it is essential to install the kind and number of brackets which are recommended per product. Thereby you have to consider absolutely the determined dowel extraction forces, as well as the installation and mounting references of the producer of fastener (inclusive edge distance). Accurate extraction forces depending to thickness of insulated plaster and the demanded bracket set, as well as installation on other substructure, on request (please also see column CLASSIC insulated plaster systems on page T1-45).

### VENUS

wall installation on concrete C20/25

width in cm	projection in cm							
	150		200		250		300	
	N	K-Set	N	K-Set	N	K-Set	N	K-Set
250	276	HF	438	HF				
300	323	HF	513	HF	743	HF		
350	371	HF	588	HF	851	HF	1152	HF
400	419	HF	663	HF	959	HF	1298	HF
450	466	HF	738	HF	1067	HF	1445	HF
500	514	HF	813	HF	1175	HF	1592	HF

wall installation on brick ≥ MZ 12

width in cm	projection in cm							
	150		200		250		300	
	N	K-Set	N	K-Set	N	K-Set	N	K-Set
250	237	KF	377	KF				
300	279	KF	442	KF	640	KF		
350	320	KF	507	KF	734	KF	993	KF
400	361	KF	572	KF	827	KF	1119	KF
450	403	KF	637	KF	921	KF	1246	KF
500	444	KF	702	KF	1014	KF	570	HI

wall installation on vertically perforated brick ≥ HLZ 12

width in cm	projection in cm							
	150		200		250		300	
	N	K-Set	N	K-Set	N	K-Set	N	K-Set
250	237	KF	377	KF				
300	279	KF	442	KF	640	KF		
350	320	KF	507	KF	734	KF	993	KF
400	361	KF	572	KF	827	KF	1119	KF
450	403	KF	637	KF	921	KF	1246	KF
500	444	KF	702	KF	1014	KF	570	HI

wall installation on gas concrete ≥ PB 2

width in cm	projection in cm							
	150		200		250		300	
	N	K-Set	N	K-Set	N	K-Set	N	K-Set
250	237	KF	377	KF				
300	279	KF	442	KF	640	KF		
350	320	KF	507	KF	734	KF	993	KF
400	361	KF	572	KF	827	KF	465	HI
450	403	KF	637	KF	921	KF	518	HI
500	444	KF	702	KF	1014	KF	570	HI

ceiling installation on concrete C20/25

width in cm	projection in cm							
	150		200		250		300	
	N	K-Set	N	K-Set	N	K-Set	N	K-Set
250	392	KS	586	KS				
300	462	KS	689	KS	964	KS		
350	531	KS	791	KS	1106	KS	1465	KS
400	601	KS	893	KS	1247	KS	1653	KS
450	670	KS	995	KS	1389	KS	1840	KS
500	740	KS	1097	KS	1530	KS	2028	KS

#### Advise for niche installation:

For niche installation, to be contrary to wall- or ceiling installation, no extraction forces, but shear forces occur. The maximum shear force for maximum size of awning is approx. 53n/mm<sup>2</sup> per screw. Please use bracket set HV for installation. We recommend for fixation of our bracket set HV 12mm steel screws (8.8) or 12mm stainless steel screws (A70). The acceptable shear stress of this screws are minimum 350N/mm<sup>2</sup> per screw. The installation and assembly references of the fastener producers are to consider.



VENTOS



# VENTOS

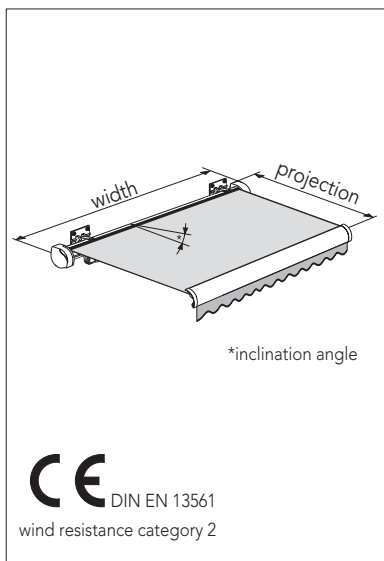
**Advise to DIN EN 13561**  
 The standard delivered brackets are for installation on concrete C20/25. Due to static reasons, it is mandatory to advise with the order, if there is an other installation substructure, or installation on insulated plaster, then it is necessary to use different brackets, respectively other accessories (additional charge).

## PRODUCT OUTLINE

item no. 08-1846 wall installation

item no. 08-1847 ceiling installation

Retractable awning with aluminium tube and c-shaped drop bar for all-year weather protection of fabric and technology. The fabric tube is made of galvanized steel (ø 78 mm). Lateral folding arms, transmission of power with strap hinge, angle of inclination is adjustable with spindle. Brackets for installation on concrete C20/25. Manual operation with crank or electric motion. Awning is with valance (height 17 cm). Coupled awnings with two fabrics (fabric gap approx. 5 cm, valance in 1 piece).



## Technical details

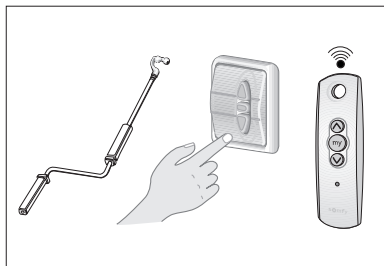
**width and projection:** – width from 190 cm up to 600 cm, coupled from 601 cm up to 1200 cm  
 – projection 150 / 200 / 250 / 300 cm

width of awning	maximum projection
from 190 cm	150 cm
from 240 cm	200 cm
from 290 cm	250 cm
from 340 cm	300 cm

**inclination angle:** – adjustable from 5° up to 28°

**frame colours:** – **standard colours:**  
 white powder coated RAL 9016 (MHZ-no. 171)  
 brown powder coated RAL 8019 (MHZ-no. 584)  
 anthracite powder coated DB 703 (MHZ-no. 703)  
 silver powder coated RAL 9006 (MHZ-no. 900)  
 – **special colours:** as per RAL colour chart

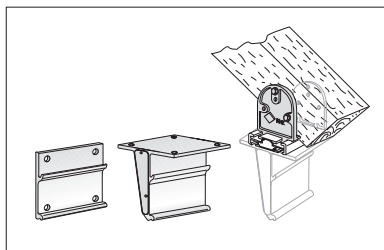
**fabric:** – please see MHZ fabric range for awnings and shading systems



## Operation

**hand crank operation:** with integrated gear with sliding clutch (GFT), removable crank in different standard length (100, 120, 140, 160, 180, 200 cm).

**electric motion:** with electronic torque limit stop and thermal protection.  
 Option: motor with integrated radio receiver and hand transmitter.



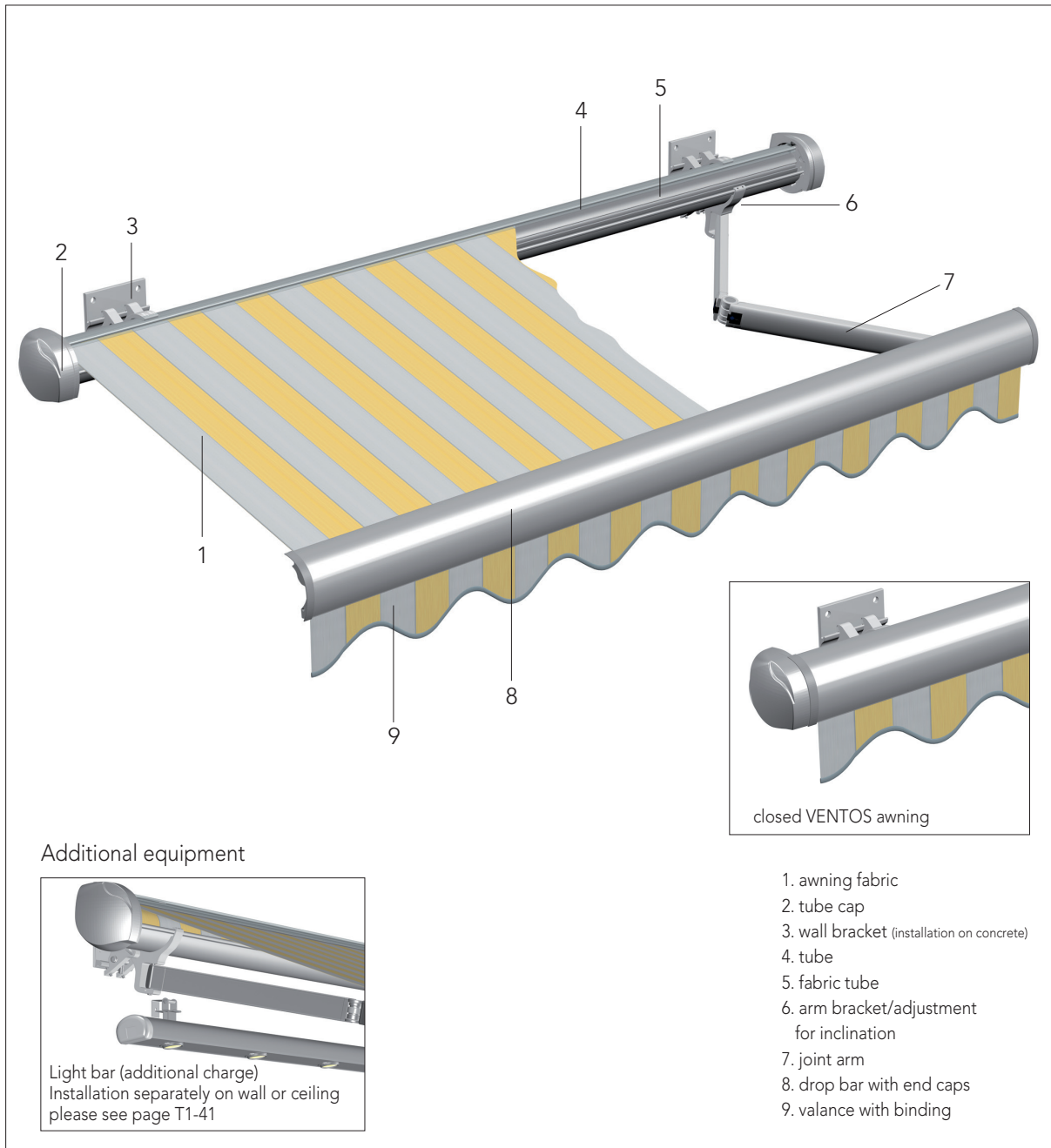
## Installation (for installation on concrete C20/25, delivery of awning without installation screws respectively dowels)

**installation on:** wall, ceiling (accessory), rafter\* (accessory)

**Advice:** the delivered installation brackets are for installation on concrete C20/25. Other installation substructure, as well as installation on insulated plaster is mandatory to be mentioned with the order, because other installation brackets or accessories could be necessary (additional charge). Please consider the extraction forces.

\***Advice:** for installation on wood, wind resistance category 0 is valid.

## MODEL ILLUSTRATION



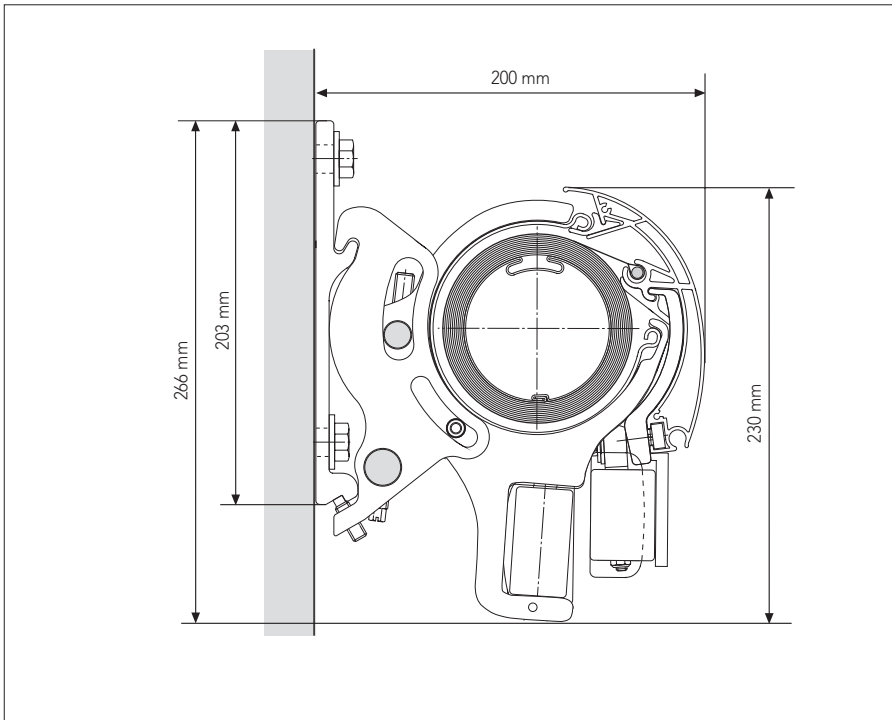
**Order details** please use order form for awnings ([www.mhz.de](http://www.mhz.de))

item no.	design of valance	installation
frame colours	colour of valance binding	substructure of installation* (maybe add. charge)
width	mode of operation	accessories
projection	operation side (seen from outside)	
fabric no.	length of crank	

**\*Advice:** for orders without details of installation substructure you will receive brackets for the installation on concrete C20/25. Please consider the respective extraction forces depending on the installation substructure and the bracket set. Other installation substructure, as well as installation on insulated plaster is mandatory to be mentioned at order, because other accessories could be necessary (additional charge).

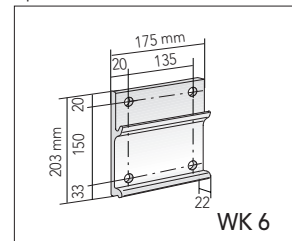
# VENTOS

## TECHNICAL DETAILS

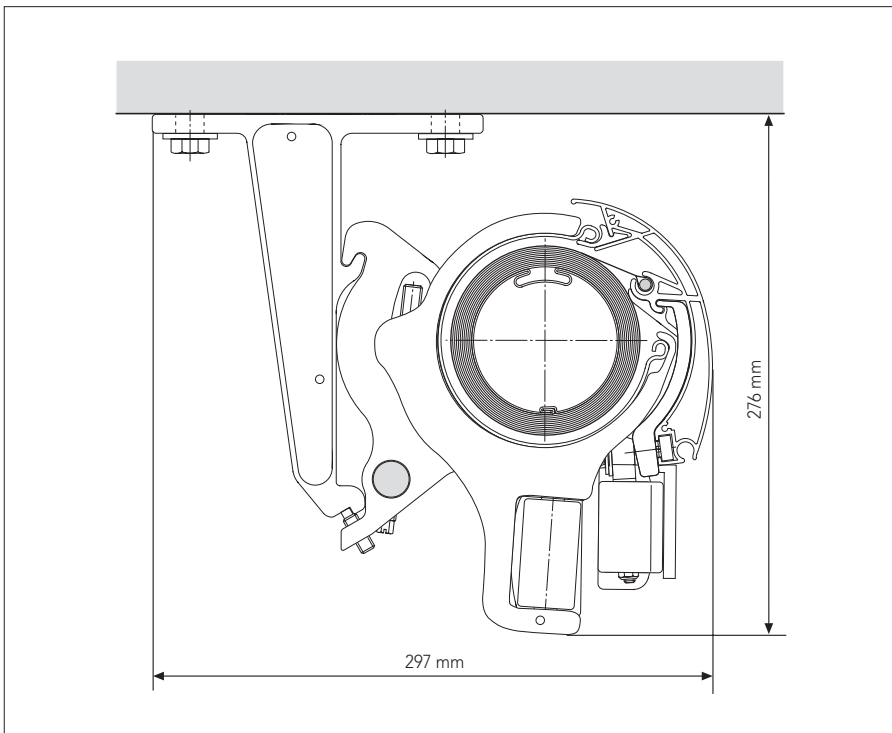
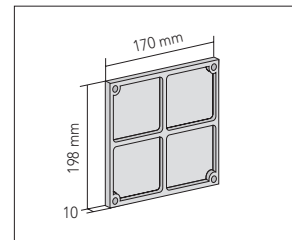


### wall installation

**standard wall bracket**  
for installation on concrete  
with an angle of inclination 5°  
up to 28°(delivered with awning)

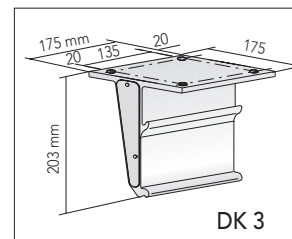


**distance plate for insulated  
plaster, 10 mm (accessories)**

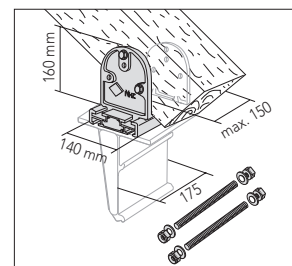


### ceiling installation

**standard ceiling bracket**  
for installation on concrete with  
an angle of inclination 5° up to  
28° (additional charge)



**rafter bracket\***  
(accessory)



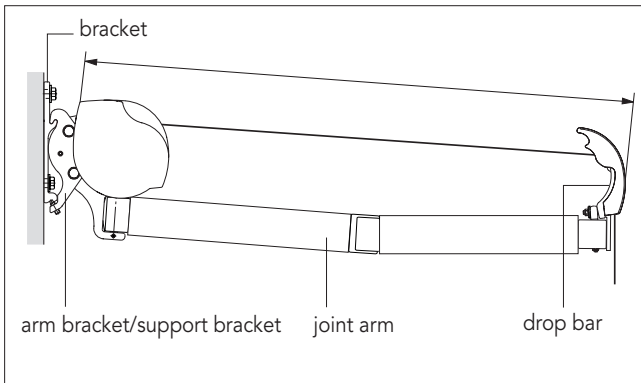
If required we will send to you 1:1 drawings of our awning constructions for wall and ceiling installation.

Other brackets for installation on other substructure on request.

**\*Please note:** for installation on wood wind resistance category 0 is valid. Please check static of construction before. Please draw a sketch with position of awning, rafters and the space between. Please ask for form sheet „dimension between axes VENTOS“.

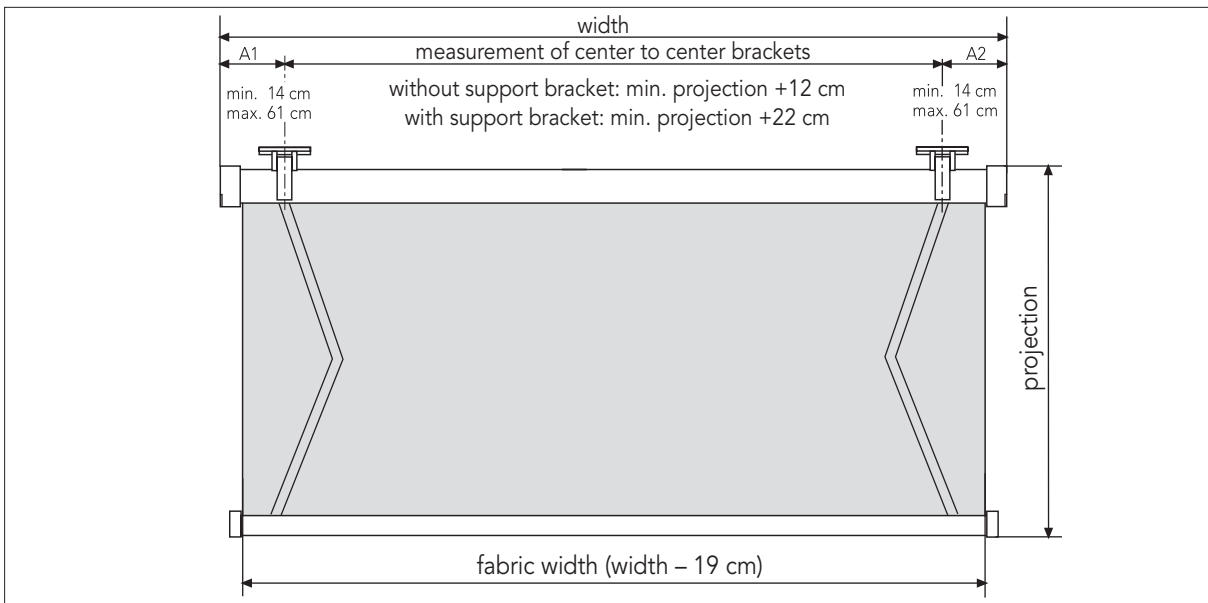
## TECHNIC AND DIMENSIONS

### Brackets, joint arms and support bracket



width of awning in cm	number of brackets	number of joint arms	number of support brackets
190 - 450	2	2	-
451 - 600	3	2	1
601 - 900	4	4	-
901 - 1200	6	4	2

### Projection and measurement of center to center brackets



measurement of center to center brackets A1,A2 in cm for installation on concrete

width of awning in cm	projection of awning in cm			
	150	200	250	300
190 - 200	14	-	-	-
201 - 240	19	-	-	-
241 - 290	39	14	-	-
291 - 340	41	39	14	-
341 - 380	41	41	39	14
381 - 400	61	61	31	31
401 - 450	61	61	61	41
451 - 600	61	61	61	61

**Please note:** Standard is that measurement A1 and A2 are the same, awning width from 451 cm A1, A2 is minimum 40 cm. Support bracket will be placed in centre. Measurement of center to center brackets for awnings with four joint arms on request. Special measurement of center to center brackets for installation on other substructure are optional possible. Please ask for form sheet „ measurement of center to center brackets“ VENTOS.

# VENTOS

**Advise to DIN EN 13561**  
 The standard delivered brackets are for installation on concrete C20/25. Due to static reasons, it is mandatory to advise with the order, if there is an other installation sub-structure, or installation on insulated plaster, then it is necessary to use different brackets, respectively other accessories (additional charge).

## BRACKET SET (K-SET)

### wall brackets

**wall bracket WK 6**  
 standard wall bracket  
 4 fixation points per bracket

**wall bracket WK 8**  
 VEGAS wall bracket (add. charge)  
 4 fixation points per bracket

**wall bracket WK 10/11**  
 NOVA wall bracket (WK6) additional steel plate (add. charge)  
 WK10: 6 fixation points per bracket  
 WK11: 2 fixation points per bracket

**ceiling bracket DK 3**  
 standard ceiling bracket (additional charge ceiling)  
 4 fixation points per bracket

### wall installation

**WK 6**

**K-Set HF (standard)**  
 2 units WK 6  
 total 8 fixation points

**K-Set HH\* (standard)**  
 3 units WK 6  
 total 12 fixation points

**WK 8**

**K-Set KF (additional charge)**  
 2 units WK 8  
 total 8 fixation points

**K-Set KH\* (additional charge)**  
 3 units WK 8  
 total 12 fixation points

**WK 10      WK 11**

**K-Set HI (additional charge)**  
 2 units WK 10  
 total 12 fixation points

**K-Set HK (additional charge)**  
 2 units WK 10  
 1 unit WK 11 (in center)  
 total 14 fixation points

### ceiling installation

**DK 3**

**K-Set KS (additional charge ceiling)**  
 2 units DK 3  
 total 8 fixation points

**K-Set KT\* (additional charge ceiling)**  
 3 units DK 3  
 total 12 fixation points

Installation brackets have to be installed at the arm bracket (consider measurement of center to center brackets). For a width of 451 cm up to 600 cm an additional support bracket in the centre will be needed.

K-set = bracket set; WK = wall bracket; DK = ceiling bracket

# VENTOS

## EXTRACTION FORCES AND BRACKET SETS for wind resistance category 2

Extraction forces in Newton (N) per installation screw

In order that the wind resistance categories which are stated by us holds the validity, the fastener of the assembler has to match with the substructure. For incoming orders without details of installation substructure you will receive brackets for the installation on concrete C20/25. Please keep in mind, that these brackets are possibly not usable for other substructure. To fulfil the DIN EN 13561 it is essential to install the kind and number of brackets which are recommended per product. Thereby you have to consider absolutely the determined dowel extraction forces, as well as the installation and mounting references of the producer of fastener (inclusive edge distance). Accurate extraction forces depending to the thickness of the insulated plaster and the demanded bracket set, as well as installation on other substructure, on request (please also see column CLASSIC insulated plaster systems on page T1-45). Coupled systems are calculated as two single systems (system width = 1/2 total width). The bracket set (K-set) will be needed twice.

### VENTOS

wall installation on concrete C20/25

width in cm	projection in cm							
	150		200		250		300	
	N	K-Set	N	K-Set	N	K-Set	N	K-Set
250	337	HF	531	HF				
300	391	HF	614	HF	868	HF		
350	445	HF	698	HF	987	HF	1372	HF
400	499	HF	781	HF	1105	HF	1532	HF
450	553	HF	864	HF	1224	HF	1691	HF
500	607	HH	948	HH	1343	HH	1851	HH
550	661	HH	1031	HH	1461	HH	2254	HH
600	715	HH	1115	HH	1580	HH	2436	HH

wall installation on brick ≥ MZ 12

width in cm	projection in cm							
	150		200		250		300	
	N	K-Set	N	K-Set	N	K-Set	N	K-Set
250	289	KF	455	KF				
300	336	KF	527	KF	746	KF		
350	382	KF	600	KF	849	KF	1180	KF
400	429	KF	672	KF	952	KF	548	HI
450	476	KF	745	KF	1054	KF	605	HI
500	523	KH	817	KH	1157	KH	662	HK
550	570	KH	889	KH	524	HK	807	HK
600	617	KH	962	KH	566	HK	873	HK
650	443	KH	689	KH	1093	KH	625	HL

wall installation on vertically perforated brick ≥ HLZ 12

width in cm	projection in cm							
	150		200		250		300	
	N	K-Set	N	K-Set	N	K-Set	N	K-Set
250	289	KF	455	KF				
300	336	KF	527	KF	746	KF		
350	382	KF	600	KF	849	KF	1180	KF
400	429	KF	672	KF	952	KF	548	HI
450	476	KF	745	KF	1054	KF	605	HI
500	523	KH	817	KH	1157	KH	662	HK
550	570	KH	889	KH	520	HK	807	HK
600	617	KH	962	KH	562	HK	873	HK

wall installation on gas concrete ≥ PB 2

width in cm	projection in cm							
	150		200		250		300	
	N	K-Set	N	K-Set	N	K-Set	N	K-Set
250	289	KF	455	KF				
300	336	KF	527	KF	746	KF		
350	382	KF	600	KF	849	KF	490	HI
400	429	KF	672	KF	952	KF	548	HI
450	476	KF	745	KF	438	HI	605	HI
500	523	KH	817	KH	477	HK	662	HK
550	570	KH	889	KH	520	HK	807	HK
600	617	KH	962	KH	562	HK	873	HK
650	443	KH	689		454	HL	625	HL

ceiling installation on concrete C20/25

width in cm	projection in cm							
	150		200		250		300	
	N	K-Set	N	K-Set	N	K-Set	N	K-Set
250	465	KS	697	KS				
300	542	KS	809	KS	1113	KS		
350	619	KS	922	KS	1267	KS	1729	KS
400	696	KS	1034	KS	1422	KS	1932	KS
450	773	KS	1146	KS	1576	KS	2135	KS
500	851	KT	1259	KT	1730	KT	2338	KT
550	928	KT	1371	KT	1885	KT	2832	KT
600	1005	KT	1483	KT	2039	KT	3063	KT
650	721	KT	1064	KT	1622	KT	2196	KT



TETRIS



# TETRIS

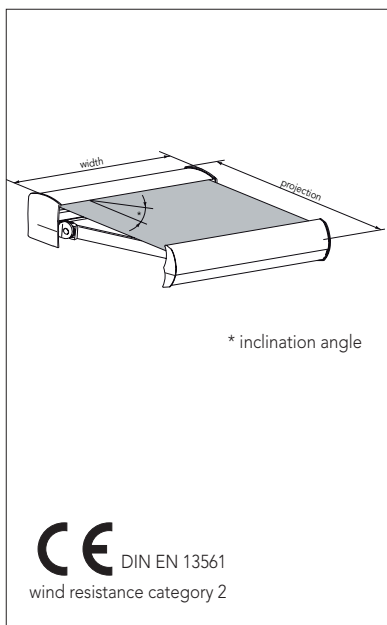
Advise to DIN EN 13561

The standard delivered brackets are for installation on concrete C20/25. Due to static reasons, it is mandatory to advise with the order, if there is an other installation substructure, or installation on insulated plaster, then it is necessary to use different brackets, respectively other accessories (additional charge).

## PRODUCT OUTLINE

item no. 08-1883 wall installation  
 item no. 08-1884 ceiling installation

Semi-cassette awning with square carrier bar and aluminium cassette in two parts, lateral bearing made of aluminium inclusive cover, drop bar with lateral end caps, fabric tube made of galvanized steel Ø 78 mm. Lateral folding arms, transmission of power with strap hinge, arm support with integrated tilt device to secure the awning against wind. Angle of inclination is adjustable with spindle. Brackets for installation on concrete (C20/25). Manual operation with crank or electric motion. Coupled awnings with two fabrics (fabric gap ca. 8 cm).



## Technical details

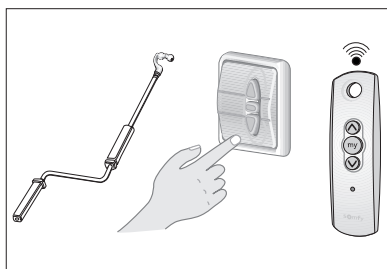
**width and projection:** – width from 210 cm up to 650 cm, coupled from 651 cm up to 1200 cm  
 – projection 150 / 200 / 250 / 300 / 350 / 400 cm

width of awning	maximum projection
from 200 cm	150 cm
from 250 cm	200 cm
from 300 cm	250 cm
from 350 cm	300 cm
from 400 cm	350 cm

**inclination angle:** – adjustable from 5° up to 45°

**frame colours:** – **standard colours:**  
 white powder coated RAL 9016 (MHZ-no. 171)  
 brown powder coated RAL 8019 (MHZ-no. 584)  
 anthracite powder coated DB 703 (MHZ-no. 703)  
 silver powder coated RAL 9006 (MHZ-no. 900)  
 – **special colours:** as per RAL colour chart

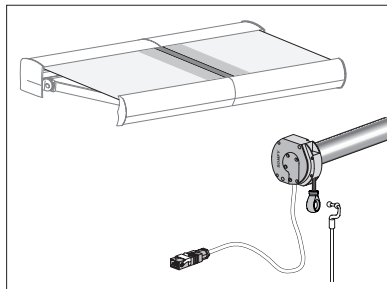
**awning fabric:** please see MHZ fabric range for awnings and shading systems



## Operation

**hand crank operation:** for dimensions up to 600 cm width and 350 cm projection with integrated gear with sliding clutch, removeable crank in different standard length (100, 120, 140, 160, 180, 200 cm).

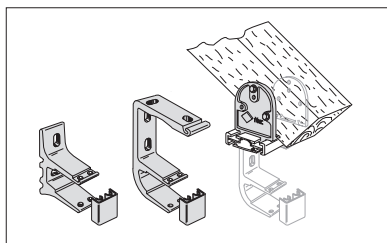
**electric motion:** with electronic torque limit stop and thermal protection. Option: motor with integrated radio receiver and hand transmitter.



## Additional equipment

**fabric gap cover:** for coupled systems, fabric tube Ø 30 mm, with internal spring mechanism and fabric deflection for installation at carrier bar. Fabric width about 54 cm. The fabric gap cover can be used from following awning width: (2x projection in cm) + 200 cm.

**motor with manual override:** for awnings with 2 joint arms. electro-radio controlled motor with manual override and hand transmitter for the manual operation at power failure. Inclusive removeable crank (length 140 cm, other length on request).



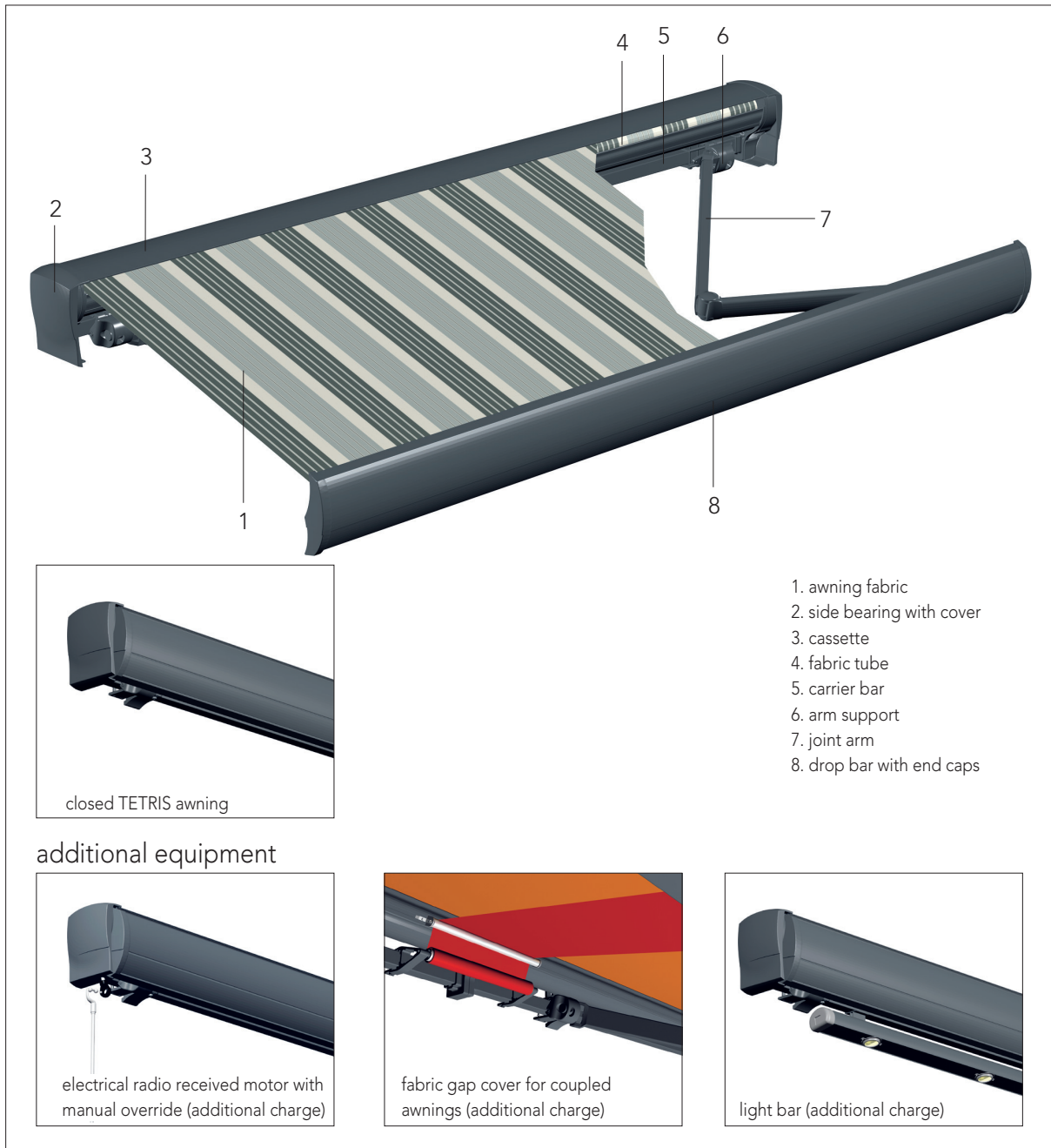
## Installation (installation on concrete C20/25, delivery of awning without screws and dowels.)

**installation on:** wall, ceiling (accessory), rafter\* (accessory)

**Advice:** The delivered installation brackets are for installation on concrete C 20/25. Other installation substructure, as well as installation on insulated plaster is mandatory to be mentioned with the order, because other installation brackets or accessories could be necessary due to static reasons (additional charge). Please consider the extraction forces.

\*Advice: For installation on wood, wind resistance category 0 is valid. Max. projection 300 cm.

## MODEL ILLUSTRATION

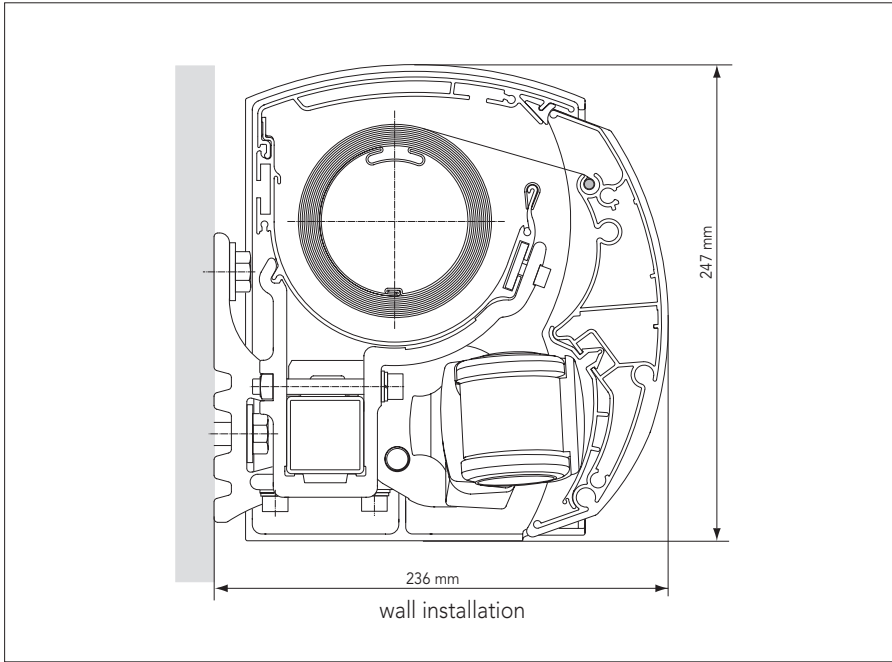


**Order details** please use order form for awnings ([www.mhz.de](http://www.mhz.de))

item no. frame colour width projection	fabric no. mode of operation operation side (seen from outside) length of crank	installation substructure * (maybe add. charge) additional equipment accessories
-------------------------------------------------	------------------------------------------------------------------------------------------	-------------------------------------------------------------------------------------------

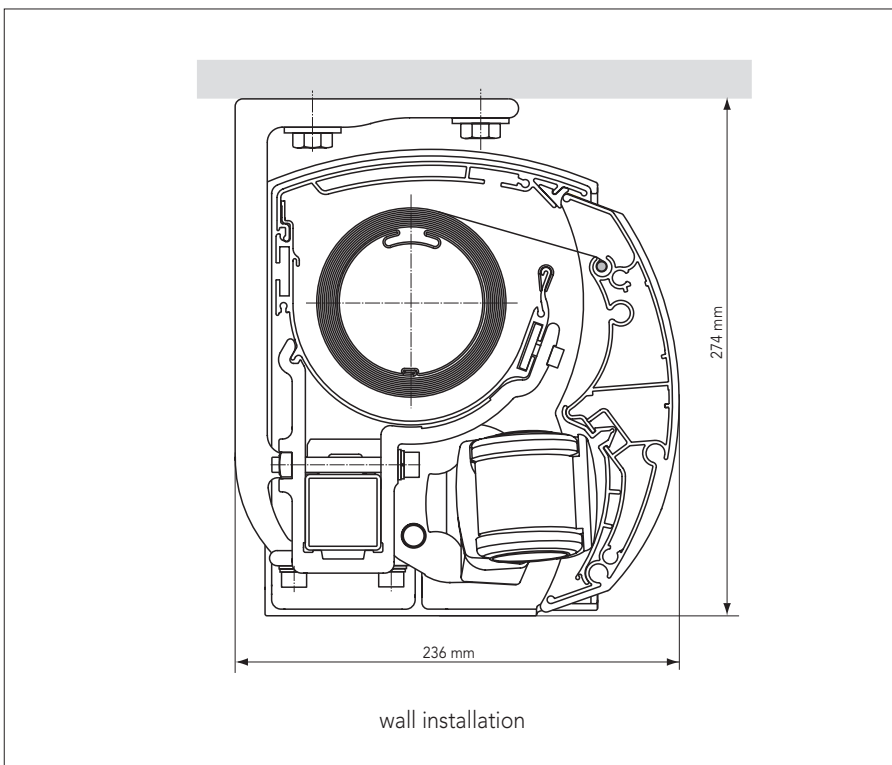
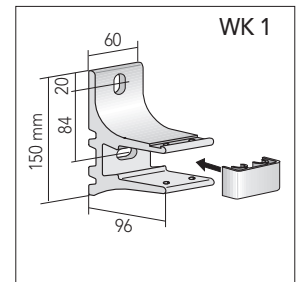
# TETRIS

## TECHNICAL DETAILS



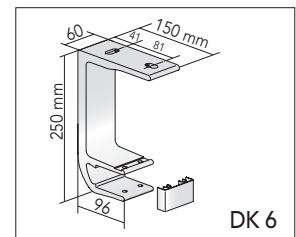
### wall installation

**standard wall bracket**  
for installation on concrete  
(delivered with awning)

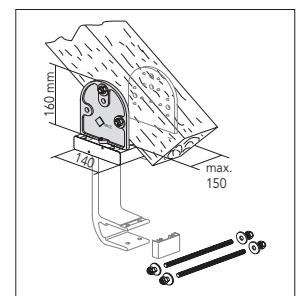


### ceiling installation

**standard ceiling bracket**  
for installation on concrete  
(additional charge)



**rafter bracket\***  
(accessory)

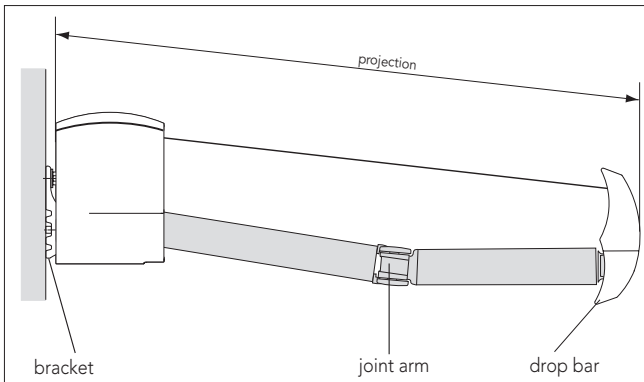


If required we will send to you 1 : 1 drawings of our awning constructions for wall and ceiling installation.

**\*Please note:** for rafter installation on wood, the wind resistance category 0 is valid, the maximum projection is 300 cm. The substructure has to be inspected for static. Please draw a sketch with position of awning, rafters and the space between. Please ask for dimension between axes form sheet TETRIS.

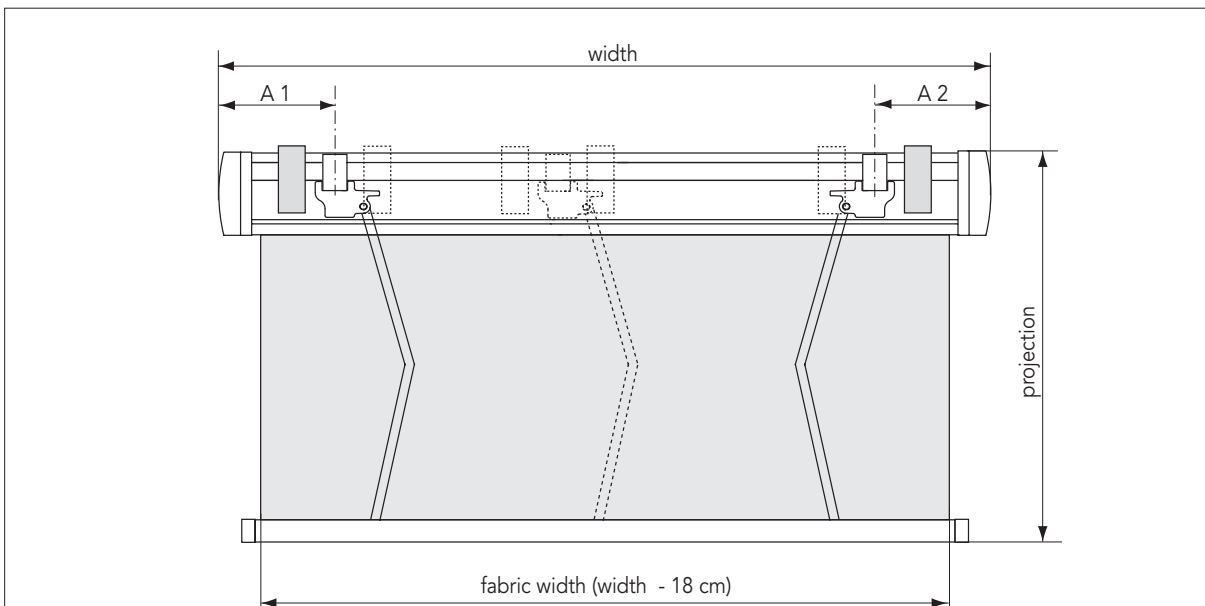
## TECHNIC AND DIMENSIONS

### brackets and joint arms (at installation on concrete)



width of awning in cm	number of brackets*	number of joint arms
210 - 410	2	2
411 - 600	3	2
601 - 650**	3	3
651 - 820	4	4
821 - 1200	6	4

### projection and measurement of center to center arm bracket



#### measurement center to center arm bracket A1, A2 in cm for installation on concrete

width of awning in cm	projection of awning in cm					
	150	200	250	300	350	400
210 - 260	14	-	-	-	-	-
261 - 310	40	14	-	-	-	-
311 - 360	40	40	14	-	-	-
361 - 410	40	40	40	14	-	-
411 - 460	60	60	60	40	14	-
461 - 510	70	70	70	40	40	14
511 - 560	90	90	90	90	65	40
561 - 600	90	90	90	90	90	65

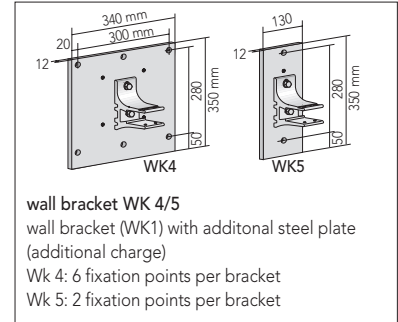
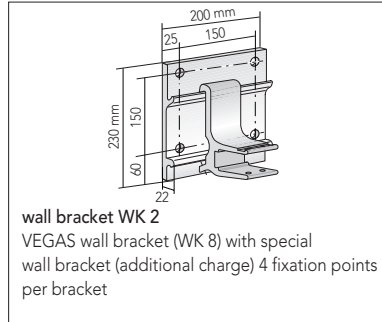
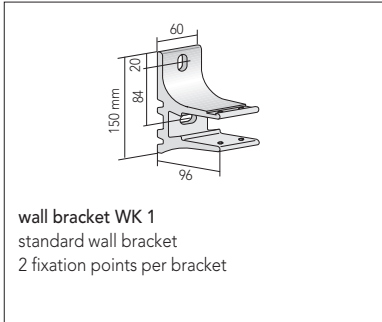
**Please note:** install the brackets max. 10 cm away from arm support. Standard is that measurement of center to center arm support A1 and A2 is the same. Support bracket is installed in the middle. Measurement of center to center arm support for 3 and 4 joint arms on request. Special center to center measurements for installation on other substructures are also possible on request. Please ask for dimension between axes form sheet TETRIS.

# TETRIS

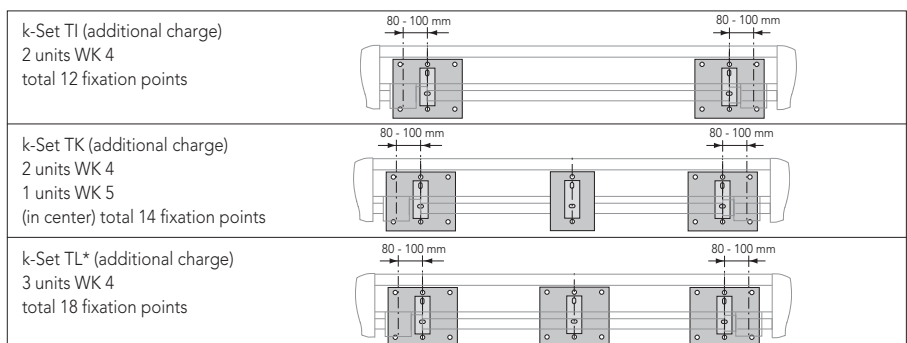
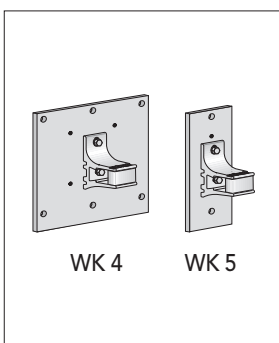
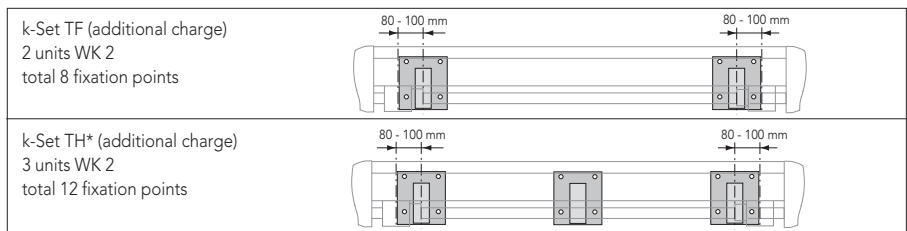
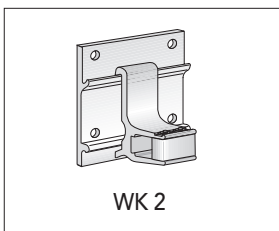
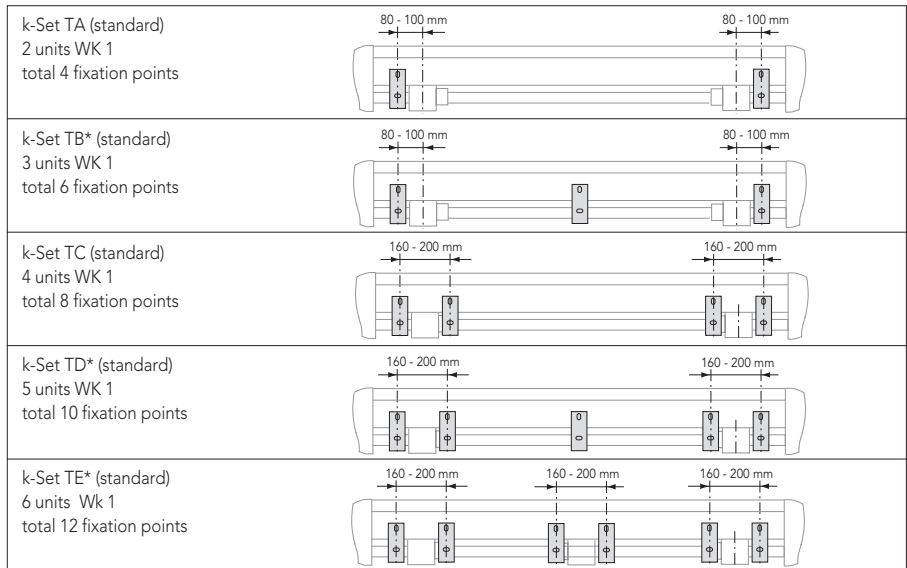
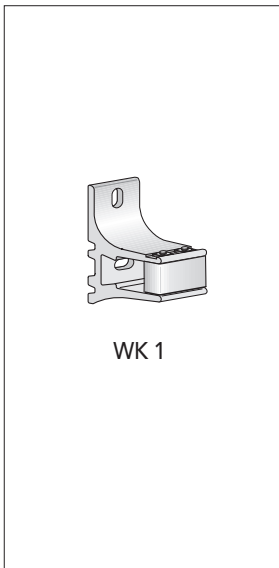
**Advise to DIN EN 13561**  
 The standard delivered brackets are for installation on concrete C20/25. Due to static reasons, it is mandatory to advise with the order, if there is an other installation substructure, or installation on insulated plaster, then it is necessary to use different brackets, respectively other accessories (additional charge).

## BRACKET SET (K-SET)

### wall bracket



### wall installation



Brackets can be installed outside or inside the arm support. Pairs of joint arms have to be installed on the left and right side of the arm support. Consider measurement of center to center arm support ! From width of 411 cm and 2 joint arms an additional support bracket in center is necessary.  
 \* From width of 601 cm an additional third arm in left or right version will be needed.

K-Set = bracket set; WK = wall bracket

## EXTRACTION FORCES AND BRACKET SETS for wind resistance category 2

Extraction forces in Newton (N) **per** installation screw - for installation on plaster (without insulating)

In order that the wind resistance categories, which are stated by us, holds the validity, the fastener of the assembler has to match with the substructure. For incoming orders without details of installation substructure you will receive brackets for the installation on concrete (C20/25). Please keep in mind, that these brackets are possibly not usable for other substructure. To fulfil the DIN EN 13561 it is essential to install the kind and number of brackets which are recommended per product. Thereby you have to consider absolutely the determined dowel extraction forces, as well as the installation and mounting references of the producer of fastener (inclusive edge distance). Accurate extraction forces depending on thickness of insulated plaster and the demanded bracket set, as well as installation on other substructure, on request (please also see column insulated plaster systems on page T1-45). Coupled systems are calculated as two single systems (system width= 1/2 total width). The bracket set (k-Set) will be needed twice.

### TETRIS

wall installation on concrete C20/25

width in cm	projection in cm											
	150		200		250		300		350		400	
	N	K-Set	N	K-Set	N	K-Set	N	K-Set	N	K-Set	N	K-Set
260	1111	TA	1707	TA								
310	1290	TA	1979	TA	2768	TA						
360	1469	TA	2250	TA	3167	TA	4366	TA				
410	1648	TA	2522	TA	3547	TA	4871	TA	6295	TA*		
460	1827	TB	2793	TB	3927	TB	5377	TB	3874	TD	4774	TD
500	1970	TB	3010	TB	4232	TB	5782	TB	4169	TD	5236	TD
550	2149	TB	3282	TB	4612	TB	3499	TD	4538	TD	5698	TD
600	2328	TB	3553	TB	4992	TB	3785	TD	4907	TD	6160	TD*
650	1671	TB	2550	TB	3973	TB	5429	TB	3517	TE	6622	TD*

wall installation on brick ≥ Mz 12

width in cm	projection in cm											
	150		200		250		300		350		400	
	N	K-Set	N	K-Set	N	K-Set	N	K-Set	N	K-Set	N	K-Set
260	332	TF	509	TF								
310	385	TF	590	TF	831	TF						
360	438	TF	671	TF	944	TF	540	TI				
410	491	TF	752	TF	1057	TF	603	TI	779	TI		
460	545	TH	833	TH	1171	TH	665	TK	958	TK	on request	
500	587	TH	897	TH	524	TK	715	TK	1031	TK	on request	
550	641	TH	978	TH	571	TK	866	TK	1122	TK	on request	
600	694	TH	1059	TH	618	TK	937	TK	1214	TK	on request	
650	498	TH	760	TH	1184	TH	672	TL	870	TL	on request	

wall installation on vertically perforated brick ≥ HLz 12

width in cm	projection in cm											
	150		200		250		300		350		400	
	N	K-Set	N	K-Set	N	K-Set	N	K-Set	N	K-Set	N	K-Set
260	332	TF	509	TF								
310	385	TF	590	TF	831	TF						
360	438	TF	671	TF	944	TF	540	TI				
410	491	TF	752	TF	1057	TF	603	TI	779	TI		
460	545	TH	833	TH	1171	TH	665	TK	958	TK	on request	
500	587	TH	897	TH	524	TK	715	TK	1031	TK	on request	
550	641	TH	978	TH	571	TK	866	TK	1122	TK	on request	
600	694	TH	1059	TH	618	TK	937	TK	on request	on request		
650	498	TH	760	TH	1184	TH	672	TL	870	TL	on request	

wall installation on gas concrete ≥ PB2

width in cm	projection in cm											
	150		200		250		300		350		400	
	N	K-Set	N	K-Set	N	K-Set	N	K-Set	N	K-Set	N	K-Set
260	332	TF	509	TF								
310	385	TF	590	TF	831	TF						
360	438	TF	671	TF	944	TF	540	TI				
410	491	TF	752	TF	439	TI	603	TI	779	TI		
460	545	TH	833	TH	486	TK	665	TK	958	TK	on request	
500	587	TH	897	TH	524	TK	715	TK	1031	TK	on request	
550	641	TH	978	TH	571	TK	866	TK	on request	on request		
600	694	TH	441	TK	618	TK	937	TK	on request	on request		
650	498	TH	760	TH	492	TL	672	TL	870	TL	on request	

\* only in combination with anchor bolt FAZ M12 GS A4

N = extraction force in Newton (N) **per** installation screw; K-Set = intended bracket set

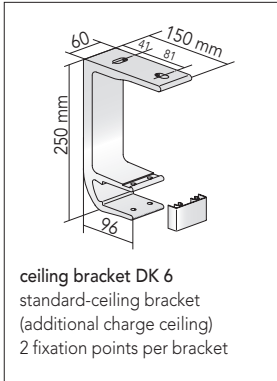
# TETRIS

Advise to DIN EN 13561

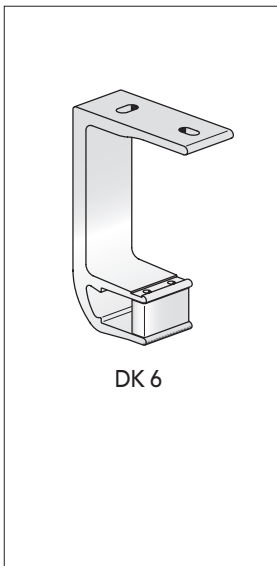
The standard delivered brackets are for installation on concrete C20/25. Due to static reasons, it is mandatory to advise with the order, if there is an other installation substructure, or installation on insulated plaster, then it is necessary to use different brackets, respectively other accessories (additional charge).

## CEILING BRACKET (K-SET)

### ceiling bracket



### ceiling installation



k-Set TV (additional charge ceiling) 2 units Dk 6 total 4 fixation points	
k-Set TW (additional charge ceiling) 3 units Dk 6 total 6 fixation points	
k-Set TX (additional charge ceiling) 4 units Dk 6 total 8 fixation points	
k-Set TY (additional charge ceiling) 5 units Dk 6 total 10 fixation points	
k-Set TZ* (additional charge ceiling) 6 units Dk 6 total 12 fixation points	

Brackets can be installed outside or inside the arm support. Pairs of joint arms have to be installed on the left and right side of the arm bracket. Consider measurement of center to center arm support ! From width of 411 cm and 2 joint arms an additional support bracket in center is necessary.

\* From width of 601 cm an additional third arm in left of right version will be needed.

# TETRIS

## EXTRACTION FORCES AND BRACKET SETS FOR WIND RESISTANCE CATEGORY 2

Extraction forces in Newton (N) **per** installation screw - for installation on plaster (without insulating)

In order that the wind resistance categories, which are stated by us, holds the validity, the fastener of the assembler has to match with the substructure. For incoming orders without details of installation substructure you will receive brackets for the installation on concrete (C20/25). Please keep in mind, that these brackets are possibly not usable for other substructure. To fulfil the DIN EN 13561 it is essential to install the kind and number of brackets which are recommended per product. Thereby you have to consider absolutely the determined dowel extraction forces, as well as the installation and mounting references of the producer of fastener (inclusive edge distance). Accurate extraction forces depending on thickness of insulated plaster and the demanded bracket set, as well as installation on other substructure, on request (please also see column insulated plaster systems on page T1-45). Coupled systems are calculated as two single systems (system width= 1/2 total width). The bracket set (k-Set) will be needed twice.

### TETRIS

ceiling installation on concrete C20/25

width in cm	projection in cm											
	150		200		250		300		350		400	
	N	K-Set	N	K-Set	N	K-Set	N	K-Set	N	K-Set	N	K-Set
260	1344	TV	1996	TV								
310	1565	TV	2317	TV	3199	TV						
360	1785	TV	2639	TV	3640	TV	4950	TV				
410	2006	TV	2960	TV	4080	TV	5527	TV	7083	TV*		
460	2226	TW	3282	TW	4521	TW	6105	TW*	4347	TY	5432	TY
500	2403	TW	3539	TW	4873	TW	3283	TY	4680	TY	5846	TY*
550	2623	TW	3861	TW	5314	TW	3961	TY	5096	TY	6364	TY*
600	2844	TW	4182	TW	5754	TW	4286	TY	5511	TY	6881	TY*
650	2043	TW	3003	TW	4557	TW	6148	TW*	3951	TZ	7398	TY*

\* only in combination with anchor bolt FAZ M12 GS A4

N = extraction force in Newton (N) **per** installation screw; K-Set = intended bracket set.



# CLASSIC



# CLASSIC

Advise to DIN EN 13561

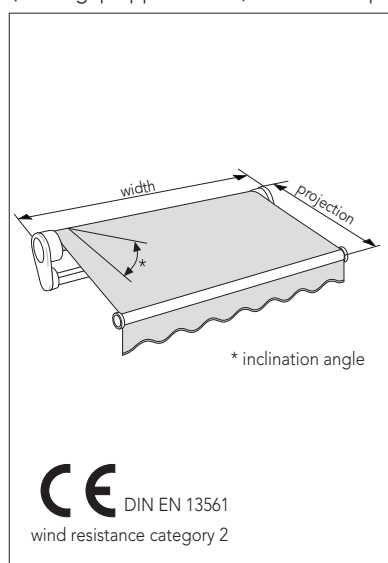
The standard delivered brackets are for installation on concrete C20/25. Due to static reasons, it is mandatory to advise with the order, if there is an other installation sub-structure, or installation on insulated plaster, then it is necessary to use different brackets, respectively other accessories (additional charge).

## PRODUCT OUTLINE

item no. 08-1851 wall installation

item no. 08-1852 ceiling installation

Retractable awning with square carrier bar, side bearings made of aluminium inclusive cover, circular drop bar with lateral end caps, fabric tube made of galvanized steel projection up to 350 cm ø 78 mm, for projection 400 cm ø 90 cm. Lateral folding arms, transmission of power with strap hinge, angle of inclination is adjustable with a spindle. Brackets for installation on concrete C20/25. Manual operation with crank or electric motion. Awning is with valance (height 20 cm). Coupled awnings with two fabrics (fabric gap approx. 5 cm, valance in 1 piece).



### Technical details

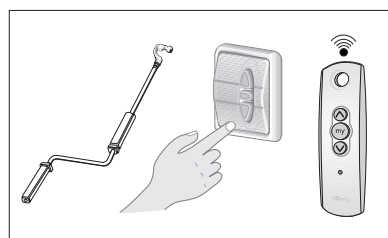
**width and projection:** – width from 180 cm up to 650 cm , coupled from 651 cm up to 1200 cm  
 – projection 150 / 200 / 250 / 300 / 350 / 400 cm

width of awning	maximum projection
from 180 cm	150 cm
from 230 cm	200 cm
from 280 cm	250 cm
from 330 cm	300 cm
from 380 cm	350 cm
from 430 cm	400 cm

**inclination angle:** – adjustable from 0° up to 40°

**frame colours:** – **standard colours:**  
 white powder coated RAL 9016 (MHZ-no. 171)  
 brown powder coated RAL 8019 (MHZ-no. 584)  
 anthracite powder coated DB 703 (MHZ-no. 703)  
 silver powder coated RAL 9006 (MHZ-no. 900)  
 – **special colours:** as per RAL colour chart

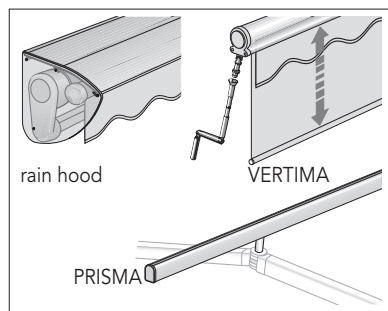
**awning fabric:** – please see MHZ fabric range for awnings and shading systems



### Operation

**hand crank operation:** for dimensions up to 600 cm width and 350 cm projection with integrated gear with sliding clutch (GFT), removable crank in different standard length (100, 120, 140, 160, 180, 200 cm).

**electric motion:** with manual adjustment of limit stops and thermal protection. Option: motor with integrated radio receiver and hand transmitter.

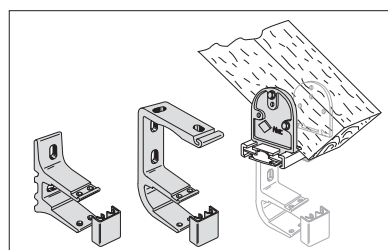


### Additional equipment

**rain hood:** two-part rain hood made of aluminium, powder coated, sealing lip, side cover, installation with separate fixing bracket on carrier bar.

**VERTIMA:** drop valance, for width up to max. 600 cm and projection up to 300 cm, integrated inside of special drop bar. Height approx. 150 cm. Operation with removable crank (length 60 cm).

**PRISMA:** guide bar, for width up to 650 cm and projection up to 350 cm. Track bar for deflection of fabric in centre area over the joint arms.



### Installation

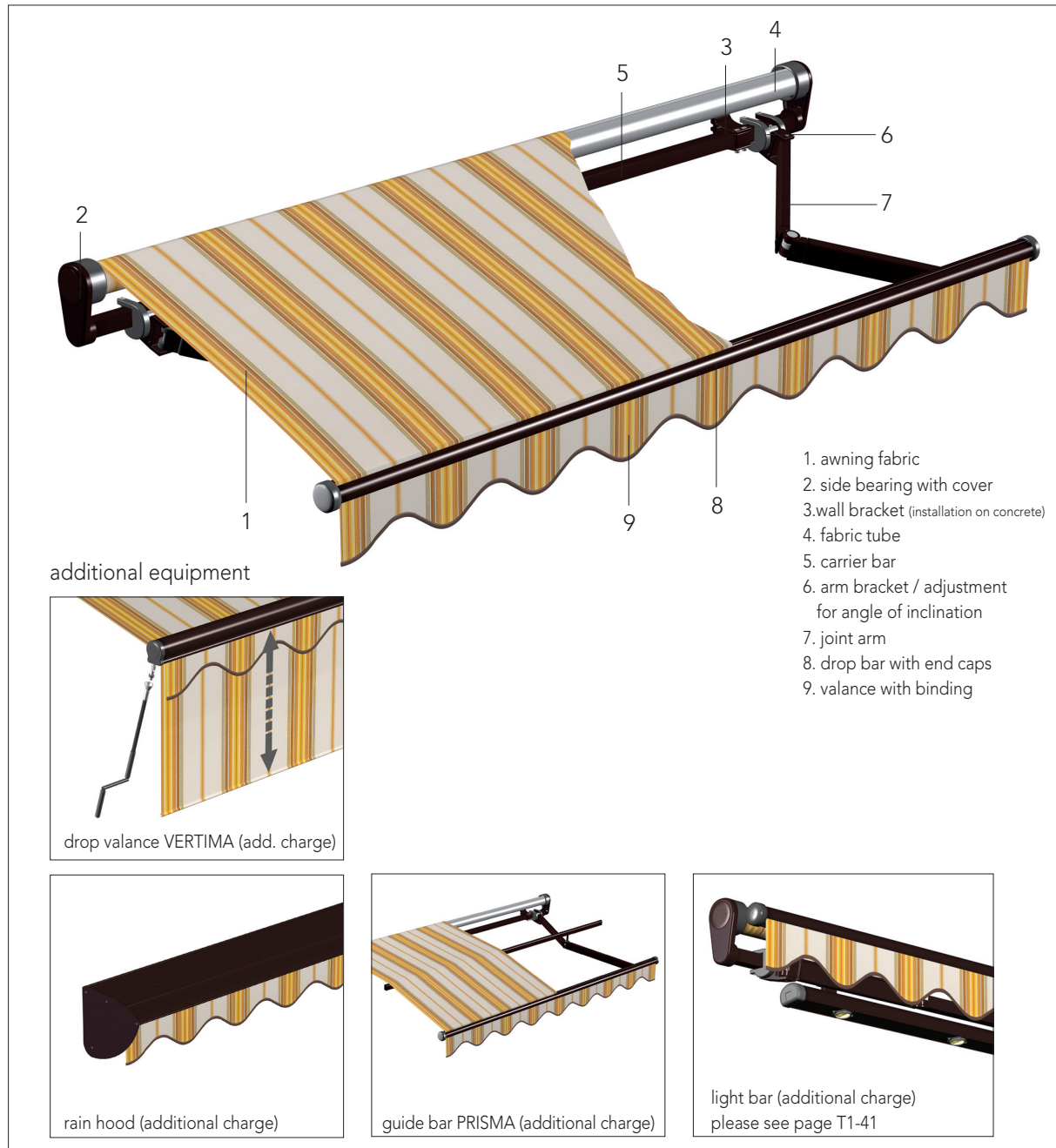
(for installation on concrete C20/25, delivery of awning without installation screws respectively dowels)

**installation on:** wall, ceiling (accessory), rafter\* (accessory)

**Advice:** the delivered installation brackets are for installation on concrete C20/25. Other installation substructure, as well as installation on insulated plaster is mandatory to be mentioned with the order, because other installation brackets or accessories could be necessary (additional charge). Please consider the extraction forces.

\*Advice: for installation on wood, wind resistance category 0 is valid.

## MODEL ILLUSTRATION



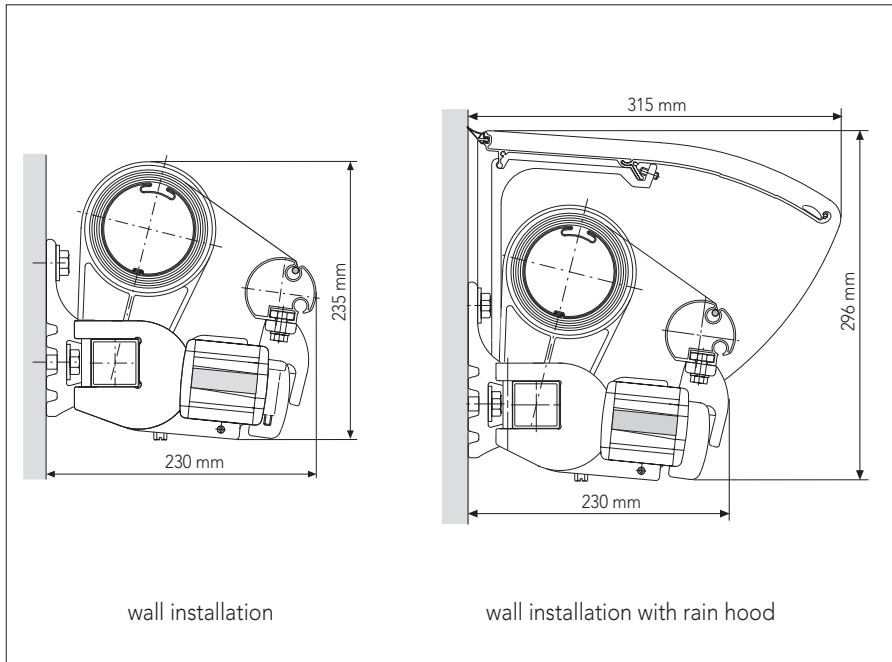
**order details** please use order form for awnings ([www.mhz.de](http://www.mhz.de))

item no. frame colours width projection fabric no.	design of valance colour of valance binding mode of operation operation side (seen from outside) length of crank	installation installation substructure*(maybe additional charge) additional equipment accessories
----------------------------------------------------------------	------------------------------------------------------------------------------------------------------------------------------	------------------------------------------------------------------------------------------------------------

**\*Advice:** for orders without details of installation substructure you will receive brackets for the installation on concrete C20/25. Please consider the respective extraction forces depending on the installation substructure and the bracket set. Other installation substructure, as well as installation on insulated plaster is mandatory to be mentioned at order, because other accessories could be necessary (additional charge).

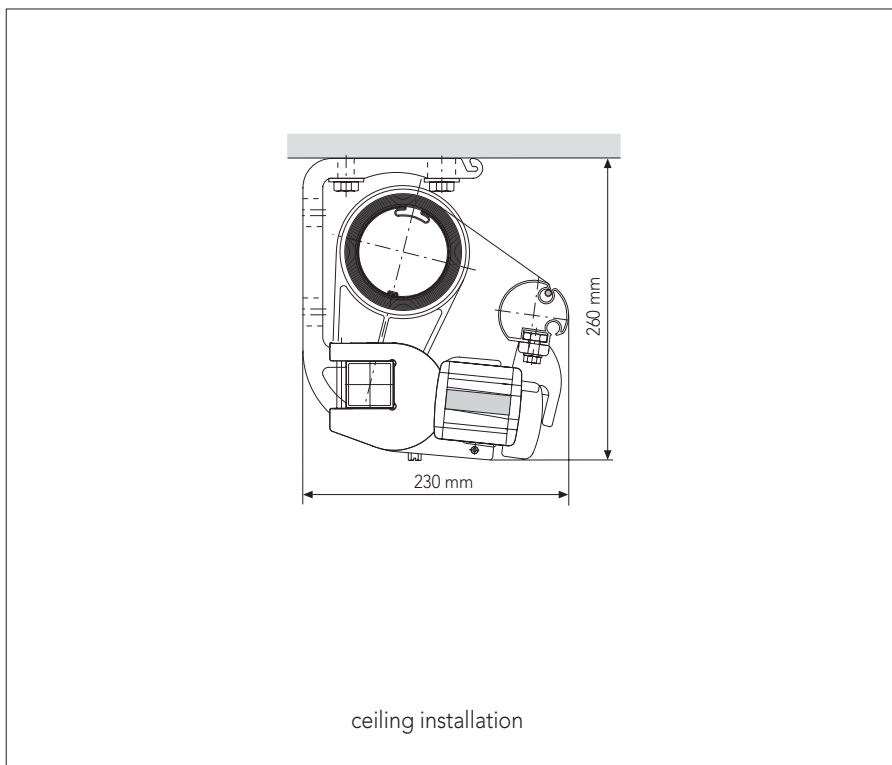
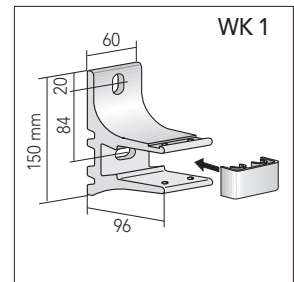
# CLASSIC

## TECHNICAL DETAILS



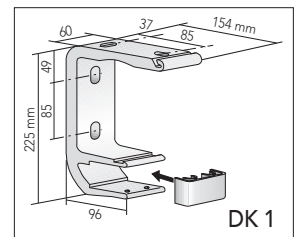
### wall installation

**standard wall bracket**  
for installation on concrete  
(delivered with awning)

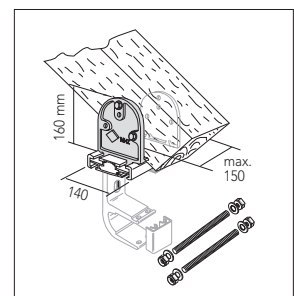


### ceiling installation

**standard ceiling bracket**  
for installation on concrete  
(additional charge)



**rafter bracket\***  
(accessory)

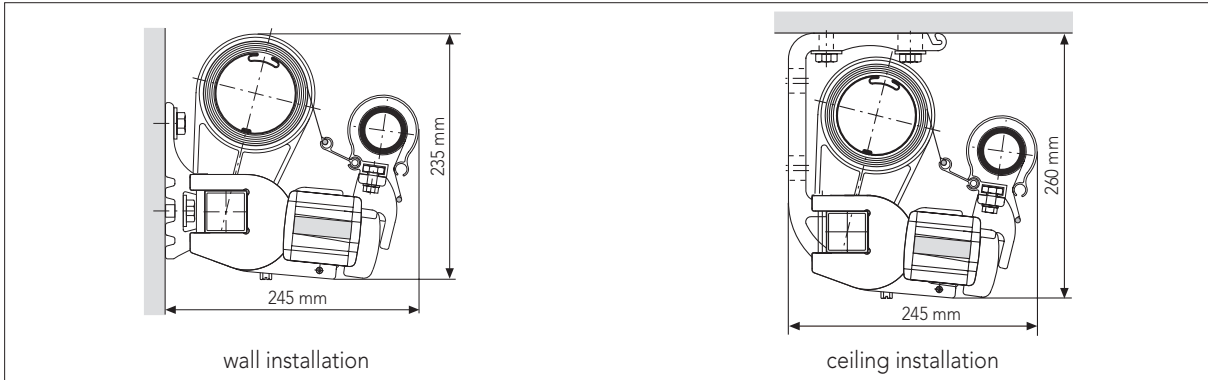


If required we will send you 1:1 drawings of our awning constructions for wall and ceiling installation.

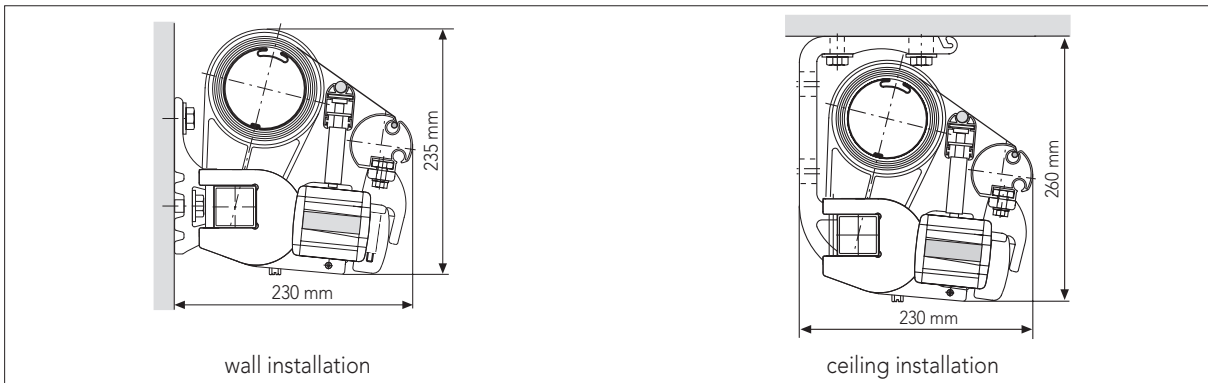
**\*Please note:** for installation on wood wind resistance category 0 is valid. The maximum projection is 300 cm. Please check static of wooden construction before. Please draw a sketch with position of awning, rafters and the space between. Please ask for form sheet „ measurement of center to center brackets CLASSIC“.

## TECHNICAL DETAILS

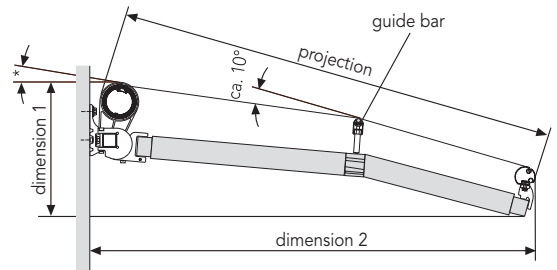
### Drop valance VERTIMA



### Guide bar PRISMA



up to projection of 350 cm



\* angle of inclination

**additional dimension data**

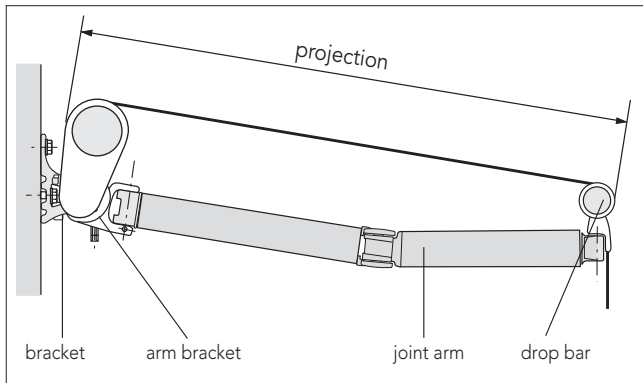
* angle of inclination	dimen- sion	projection in cm				
		150	200	250	300	350
0°	1	23	26	29	32	34
	2	147	197	246	296	346
5°	1	36	43	50	58	65
	2	143	193	242	291	340
10°	1	49	61	72	84	95
	2	139	187	235	283	331
15°	1	62	78	94	109	125
	2	133	180	227	274	320
20°	1	75	95	115	136	156
	2	127	172	217	262	307
25°	1	88	112	137	162	187
	2	120	162	205	248	291
30°	1	101	130	160	189	218
	2	111	152	192	232	273
35°	1	115	149	183	217	251
	2	102	140	177	215	252
40°	1	129	168	207	246	286
	2	92	127	161	196	230

dimension data in cm

# CLASSIC

## TECHNIC AND DIMENSIONS

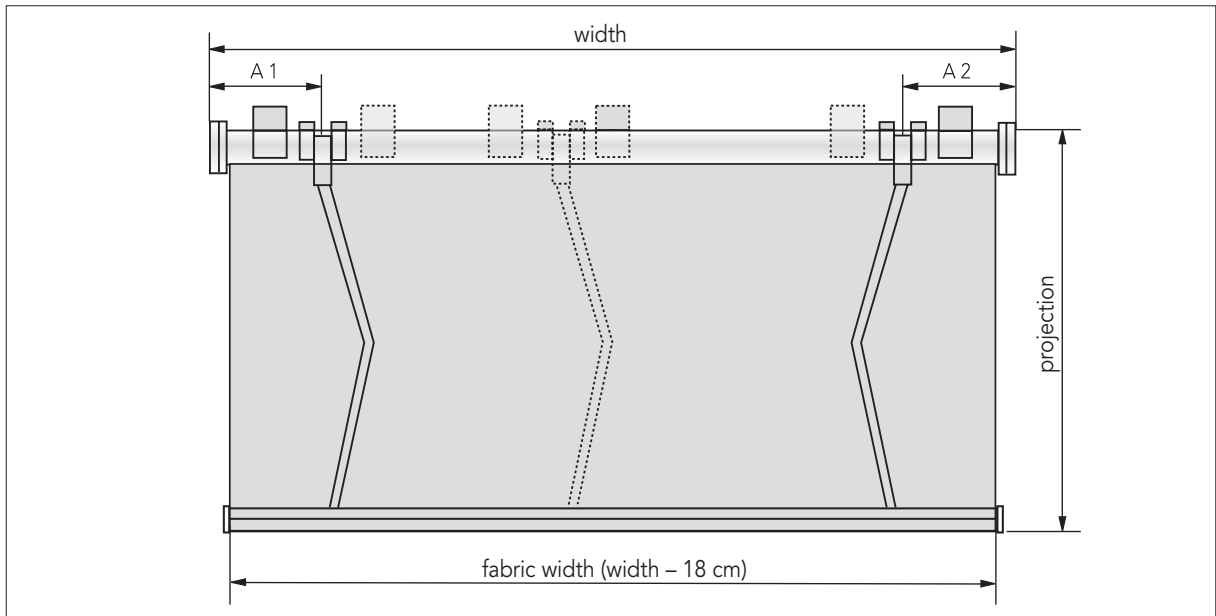
### Brackets and joint arms (for installation on concrete)



width of awning in cm	number of brackets*	number of joint arms
180 - 400	2	2
401 - 600	3	2
601 - 650	3	3
651 - 800	4	4
801 - 1200	6	4

Advice: deviating to this overview, for some system widths with projections of 300/350/400 cm more installation brackets will be delivered. Please see overview „extraction forces and bracket sets (K-set) for the accurate number of brackets depending on the installation substructure.

### Projection and measurement of center to center brackets



#### Measurement of axes A1, A2 in cm for installation on concrete

width of awning in cm	projection of awning in cm					
	150	200	250	300	350	400
200 - 250	15 <sup>1)</sup>	- <sup>1)</sup>	-	-	-	-
251 - 300	40	15	- <sup>1)</sup>	-	-	-
301 - 350	40	40	15	- <sup>1)</sup>	-	-
351 - 400	40	40	40	15	- <sup>1)</sup>	-
401 - 450	60	60	60	40	15	- <sup>1)</sup>
451 - 500	70 <sup>2)</sup>	70 <sup>2)</sup>	70 <sup>2)</sup>	40	40	15
501 - 550	90	90	90	90 <sup>2)</sup>	65 <sup>2)</sup>	40
551 - 600	90	90	90	90 <sup>2)</sup>	90 <sup>2)</sup>	65

**Please note:** Installation brackets should be fitted max. 10 cm away from arm bracket. For standard awnings the dimension A1 and A2 is the same. Support bracket should be placed in centre. Measurement of center to center brackets for awnings with three and four joint arms on request. Special measurement of center to center brackets for installation on other substructure are optional possible. Please ask for form sheet „ measurement of center to center brackets „ CLASSIC.

<sup>1)</sup> minimum width of awning: if the awning is between 30 and 50 cm wider than the projection, then measurement A1, A2 is between 8 and 14 cm.

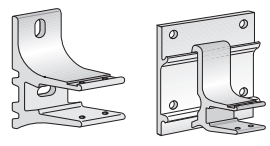
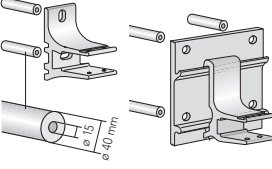
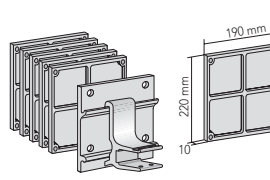
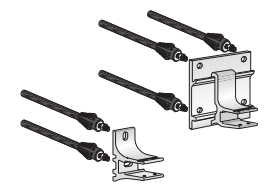
<sup>2)</sup> For guide bar PRISMA the measurement A1,A2 is 50 cm

## INSULATED PLASTER SYSTEMS

The information for the insulated plaster systems are also valid for MHZ awnings VEGAS, VENUS and NOVA. On request, we calculate the current extraction forces depending on the needed bracket sets (K-set) for you.

For this we need following details:

- type of awning inclusive accessory (e.g. Vertima)
- installation type
- substructure of installation
- thickness of insulated plaster, as well as selected insulated plaster system (S1/S2/S3)

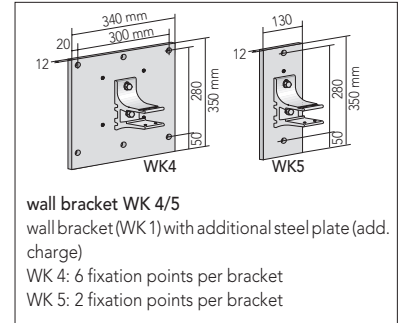
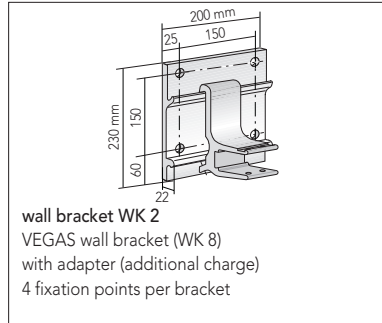
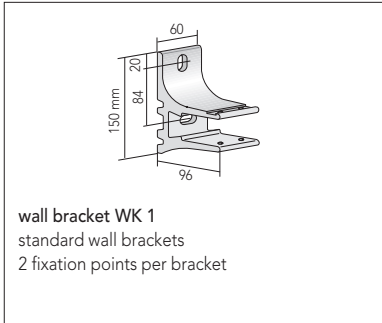
plaster (without insulation)	Insulated plaster - system S1	Insulated plaster - system S2	Insulated plaster - system S3
<p>plaster up to 2 cm thickness please see extraction forces index, depending on installation substructure.</p>	<p>insulated plaster up to 8 cm thickness extraction forces on request, depending on installation substructure and thickness of insulated plaster, as well as insulated plaster system.</p>	<p>insulated plaster up to 16 cm thickness extraction forces on request, depending on installation substructure and thickness of insulated plaster, as well as insulated plaster system.</p>	<p>insulated plaster up to 17 cm thickness extraction forces on request, depending on installation substructure and thickness of insulated plaster, as well as insulated plaster system.</p>
<p><b>wall installation</b> (without spacer)</p>	<p><b>wall installation</b> spacer with PVC-tube</p>	<p><b>wall installation</b> spacer using plastic distance plates</p>	<p><b>wall installation</b> spacer using Thermax M16</p>
			
<p><b>ceiling installation</b> (without spacer)</p>	<p><b>ceiling installation</b> spacer with PVC-tube</p>	<p><b>ceiling installation</b> spacer using plastic distance plates</p> <p style="text-align: center;">not possible</p>	<p><b>ceiling installation</b> spacer using Thermax M16</p> <p style="text-align: center;">not possible</p>

# CLASSIC

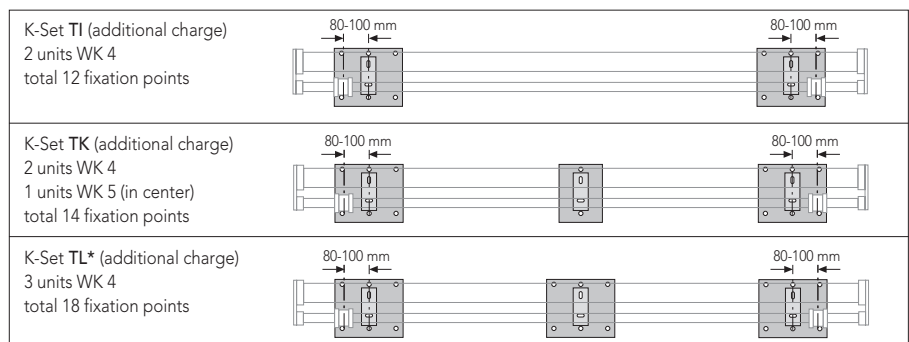
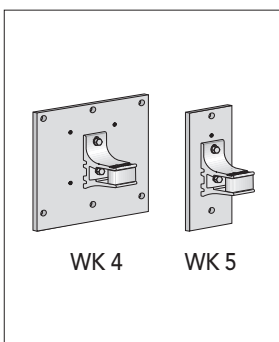
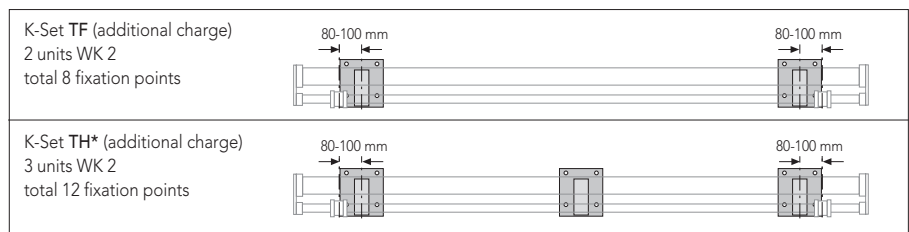
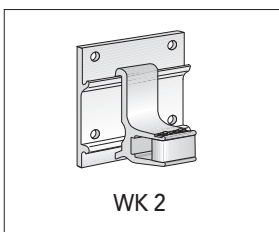
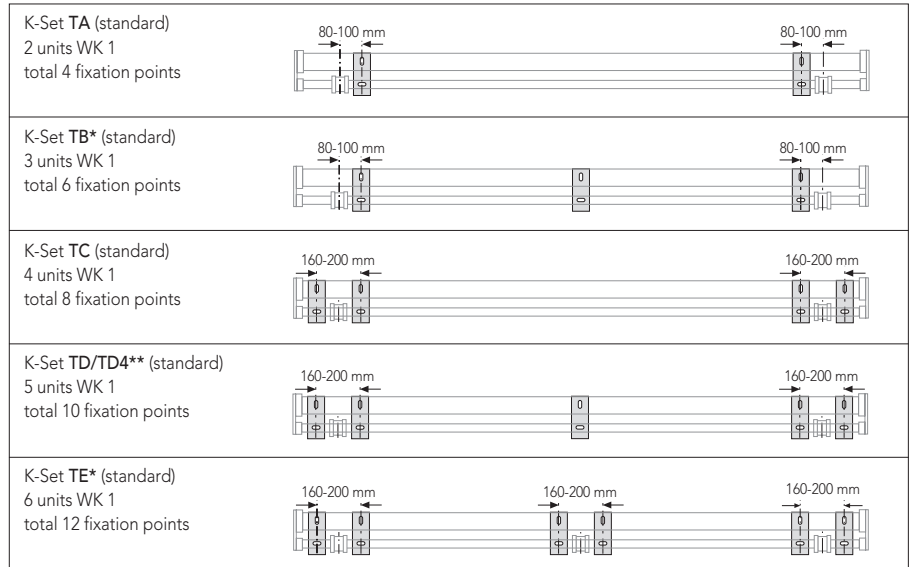
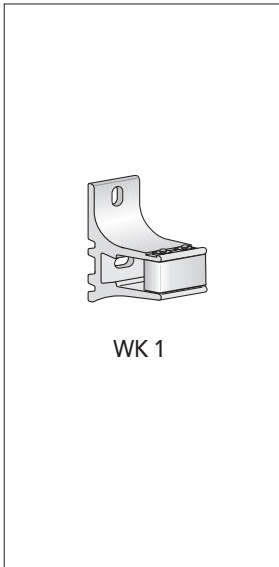
Advise to DIN EN 13561  
 The standard delivered brackets are for installation on concrete C20/25. Due to static reasons, it is mandatory to advise with the order, if there is an other installation sub-structure, or installation on insulated plaster, then it is necessary to use different brackets, respectively other accessories (additional charge).

## WALL BRACKET SET (K-SET)

### wall brackets



### wall installation



It is possible to install the brackets outside or inside the arm brackets. Pairs of brackets have to be installed on the left and right side of the arm bracket. Consider the measurement of center to center brackets! For width of 401 cm on and 2 arms an additional support bracket will be needed. \* From width 601 cm an additional third arm in left or right version will be needed. \*\* Special bracket set for projection of 400 cm

# CLASSIC

## EXTRACTION FORCES AND BRACKET SETS for wind resistance category 2

Extraction forces in Newton (N) per installation screw

In order that the wind resistance categories which are stated by us holds the validity, the fastener of the assembler has to match with the substructure. For incoming orders without details of installation substructure you will receive brackets for the installation on concrete C20/25. Please keep in mind, that these brackets are possibly not usable for other substructure. To fulfil the DIN EN 13561 it is essential to install the kind and number of brackets which are recommended per product. Thereby you have to consider absolutely the determined dowel extraction forces, as well as the installation and mounting references of the producer of fastener (inclusive edge distance). Accurate extraction forces depending to thickness of insulated plaster and the demanded bracket set, as well as installation on other substructure, on request (please also see column insulated plaster systems on page T1-45). Coupled systems are calculated as two single systems (system width = 1/2 total width). The bracket set (K-set) will be needed twice.

### CLASSIC/CLASSIC without VERTIMA

wall installation on concrete C20/25

width in cm	projection in cm											
	150		200		250		300		350		400	
	N	K-Set	N	K-Set	N	K-Set	N	K-Set	N	K-Set	N	K-Set
250	732	TA	1212	TA								
300	843	TA	1393	TA	2033	TA						
350	954	TA	1573	TA	2300	TA	3302	TA				
400	1065	TA	1754	TA	2567	TA	3671	TA	4912	TA		
450	1176	TB	1935	TB	2834	TB	4041	TB	5400	TB	4075	TD4
500	1287	TB	2116	TB	3101	TB	4411	TB	6764	TB*	4446	TD4
550	1398	TB	2297	TB	3368	TB	5490	TB	7343	TB*	4817	TD4
600	1509	TB	2477	TB	3635	TB	5926	TB*	3961	TD	5189	TD4
650	1080	TB	1772	TB	2991	TB	4241	TB	5668	TB		

wall installation on brick ≥ MZ 12

width in cm	projection in cm											
	150		200		250		300		350		400	
	N	K-Set	N	K-Set	N	K-Set	N	K-Set	N	K-Set	N	K-Set
250	221	TF	365	TF								
300	254	TF	419	TF	610	TF						
350	286	TF	472	TF	690	TF	990	TF				
400	319	TF	526	TF	769	TF	1100	TF	608	TI		
450	352	TH	579	TH	848	TH	1210	TH	668	TK	1008	TK4
500	385	TH	633	TH	927	TH	547	TK	837	TK	1100	TK4
550	418	TH	687	TH	1007	TH	680	TK	909	TK	1192	TK4
600	450	TH	740	TH	1086	TH	734	TK	981	TK	on request	
650	322	TH	529	TH	893	TH	525	TL	701	TL		

wall installation on vertically perforated brick ≥ HLZ 12

width in cm	projection in cm											
	150		200		250		300		350		400	
	N	K-Set	N	K-Set	N	K-Set	N	K-Set	N	K-Set	N	K-Set
250	221	TF	365	TF								
300	254	TF	419	TF	610	TF						
350	286	TF	472	TF	690	TF	990	TF				
400	319	TF	526	TF	769	TF	1100	TF	608	TI		
450	352	TH	579	TH	848	TH	1210	TH	669	TK	1008	TK4
500	385	TH	633	TH	927	TH	547	TK	837	TK	1100	TK4
550	418	TH	687	TH	1007	TH	680	TK	909	TK	1192	TK4
600	450	TH	740	TH	1086	TH	734	TK	981	TK	on request	
650	322	TH	529	TH	893	TH	525	TL	701	TL		

wall installation on gas concrete ≥ PB 2

width in cm	projection in cm											
	150		200		250		300		350		400	
	N	K-Set	N	K-Set	N	K-Set	N	K-Set	N	K-Set	N	K-Set
250	221	TF	365	TF								
300	254	TF	419	TF	610	TF						
350	286	TF	472	TF	690	TF	990	TF				
400	319	TF	526	TF	769	TF	455	TI	608	TI		
450	352	TH	579	TH	848	TH	501	TK	669	TK	1008	TK4
500	385	TH	633	TH	927	TH	547	TK	837	TK	on request	
550	418	TH	687	TH	1007	TH	680	TK	909	TK	on request	
600	450	TH	740	TH	1086	TH	451	TK	734	TK	981	TK
650	322	TH	529	TH	893	TH	525	TL	701	TL		

### CLASSIC/CLASSIC with VERTIMA

wall installation on concrete C20/25

width in cm	projection in cm											
	150		200		250		300					
	N	K-Set	N	K-Set	N	K-Set	N	K-Set				
250	877	TA	1405	TA								
300	1017	TA	1625	TA	2323	TA						
350	1157	TA	1844	TA	2638	TA	3708	TA				
400	1297	TA	2064	TA	2954	TA	4135	TA				
450	1437	TB	2283	TB	3269	TB	4563	TB				
500	1577	TB	2502	TB	3584	TB	4990	TB				
550	1717	TB	2722	TB	3900	TB	6127	TB*				
600	1857	TB	2941	TB	4215	TB	6622	TB*				
650												

wall installation on brick ≥ MZ 12

width in cm	projection in cm											
	150		200		250		300					
	N	K-Set	N	K-Set	N	K-Set	N	K-Set				
250	264	TF	423	TF								
300	305	TF	488	TF	697	TF						
350	347	TF	553	TF	790	TF	1111	TF				
400	388	TF	618	TF	884	TF	1238	TF				
450	430	TH	683	TH	978	TH	565	TK				
500	471	TH	748	TH	1071	TH	618	TK				
550	513	TH	813	TH	1165	TH	759	TK				
600	554	TH	878	TH	522	TK	820	TK				
650												

wall installation on vertically perforated brick ≥ HLZ 12

width in cm	projection in cm											
	150		200		250		300					
	N	K-Set	N	K-Set	N	K-Set	N	K-Set				
250	264	TF	423	TF								
300	305	TF	488	TF	697	TF						
350	347	TF	553	TF	790	TF	1111	TF				
400	388	TF	618	TF	884	TF	1238	TF				
450	430	TH	683	TH	978	TH	565	TK				
500	471	TH	748	TH	1071	TH	618	TK				
550	513	TH	813	TH	1165	TH	759	TK				
600	554	TH	878	TH	522	TK	820	TK				
650												

wall installation on gas concrete ≥ PB 2

width in cm	projection in cm											
	150		200		250		300					
	N	K-Set	N	K-Set	N	K-Set	N	K-Set				
250	264	TF	423	TF								
300	305	TF	488	TF	697	TF						
350	347	TF	553	TF	790	TF	459	TF				
400	388	TF	618	TF	884	TF	512	TI				
450	430	TH	683	TH	978	TH	565	TK				
500	471	TH	748	TH	444	TK	618	TK				
550	513	TH	813	TH	483	TK	759	TK				
600	554	TH	878	TH	522	TK	820	TK				
650												

\* only in combination with anchor bolt FAZ M12 GS A4

N = extraction force in Newton (N) per installation screw; K-set = intended bracket set

**Advice:** the above mentioned extraction forces are also effective for application of guide bar PRISMA.

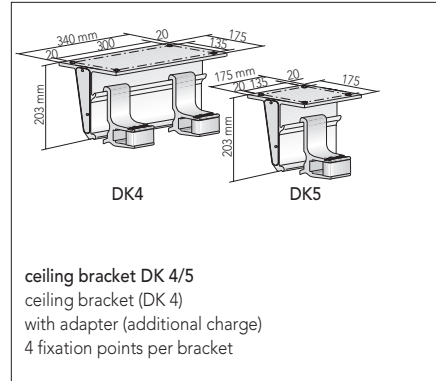
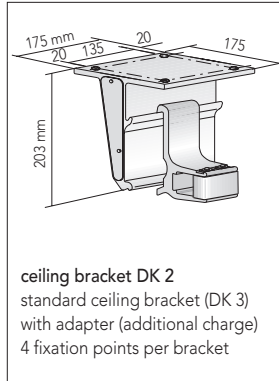
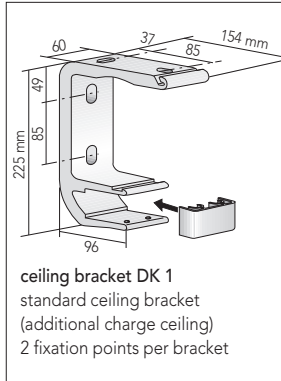
# CLASSIC

Advise to DIN EN 13561

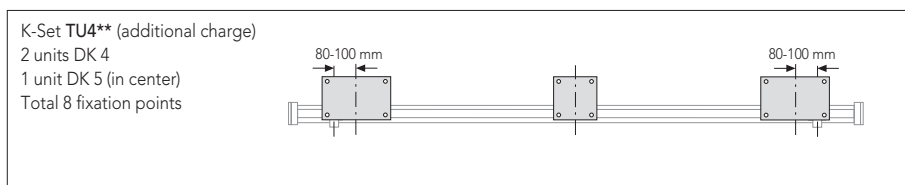
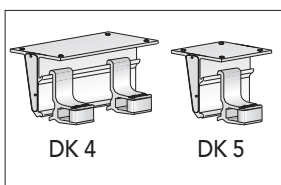
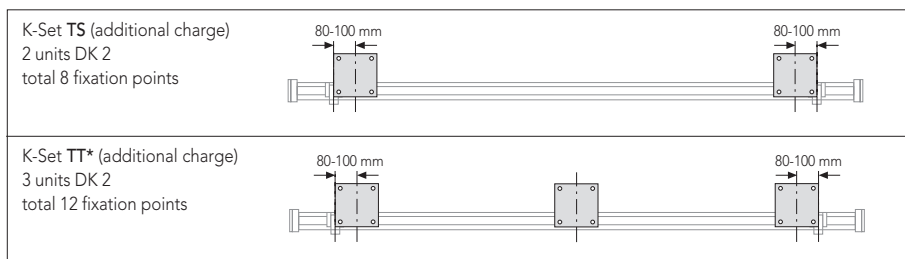
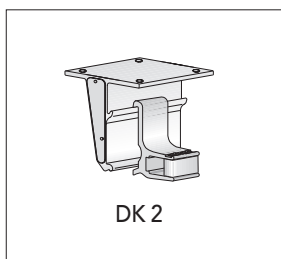
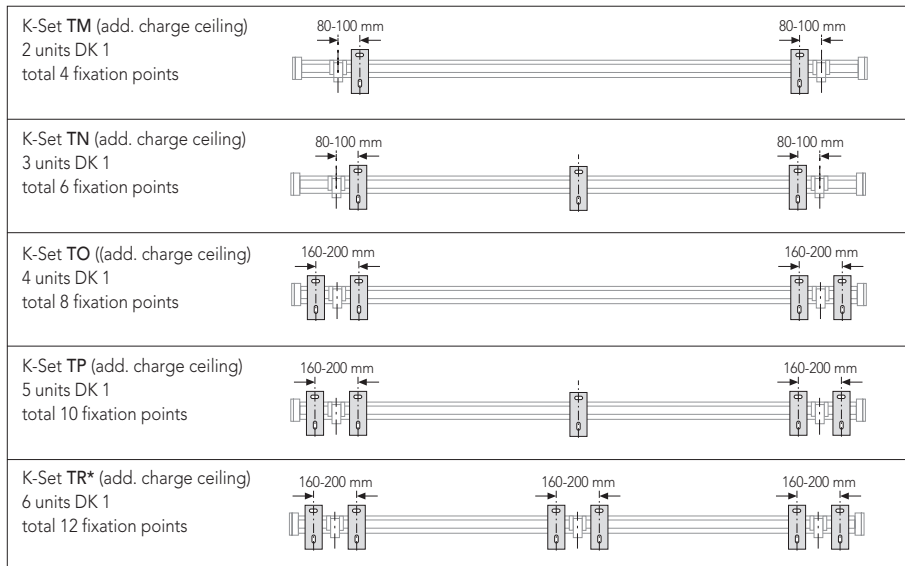
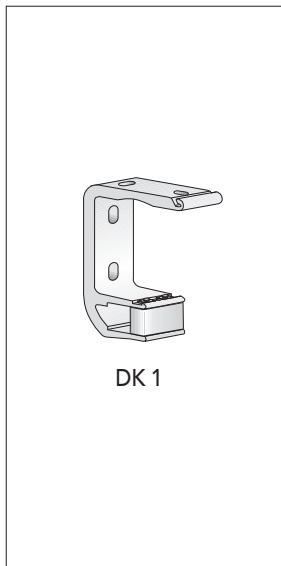
The standard delivered brackets are for installation on concrete C20/25. Due to static reasons, it is mandatory to advise with the order, if there is an other installation substructure, or installation on insulated plaster, then it is necessary to use different brackets, respectively other accessories (additional charge).

## CEILING BRACKET SET (K-SET)

### ceiling brackets



### ceiling installation



It is possible to install the brackets left or right of the arm brackets. Pairs of brackets have to be installed on the left and right side of the arm bracket. Consider the measurement of center to center brackets! From width of 401 cm on and 2 arms an additional support bracket will be needed.

\* From width 601 cm on an additional third arm in left or right version will be needed.

\*\* special bracket set for projection of 400 cm

K-set = bracket set; WK = wall bracket; DK = ceiling bracket

# CLASSIC

## EXTRACTION FORCES AND BRACKET SETS for wind resistance category 2

Extraction forces in Newton (N) per installation screw

In order that the wind resistance categories which are stated by us holds the validity, the fastener of the assembler has to match with the substructure. For incoming orders without details of installation substructure you will receive brackets for the installation on concrete C20/25. Please keep in mind, that these brackets are possibly not usable for other substructure. To fulfil the DIN EN 13561 it is essential to install the kind and number of brackets which are recommended per product. Thereby you have to consider absolutely the determined dowel extraction forces, as well as the installation and mounting references of the producer of fastener (inclusive edge distance). Accurate extraction forces depending to thickness of insulated plaster and the demanded bracket set, as well as installation on other substructure, on request (please also see column insulated plaster systems on page T1-45). Coupled systems are calculated as two single systems (system width = 1/2 total width). The bracket set (K-set) will be needed twice.

### CLASSIC/CLASSIC without VERTIMA

ceiling installation on concrete C20/25

width in cm	projection in cm											
	150		200		250		300		350		400	
	N	K-Set	N	K-Set	N	K-Set	N	K-Set	N	K-Set	N	K-Set
250	1124	TM	1778	TM								
300	1300	TM	2050	TM	2924	TM						
350	1477	TM	2322	TM	3313	TM	4679	TM				
400	1653	TM	2593	TM	3702	TM	5208	TM	3450	TO		
450	1829	TN	2865	TN	4091	TN	5737	TN*	7592	TN*	3488	TT4
500	2006	TN	3136	TN	4481	TN	6267	TN*	4739	TP	3807	TT4
550	2182	TN	3408	TN	4870	TN	3882	TP	5146	TP	4125	TT4
600	2358	TN	3679	TN	5259	TN	4192	TP	5554	TP	4443	TU4
650	1690	TN	2634	TN	4298	TN	6003	TN*	3974	TR		

### CLASSIC/CLASSIC with VERTIMA

ceiling installation on concrete C20/25

width in cm	projektion in cm											
	150		200		250		300					
	N	K-Set	N	K-Set	N	K-Set	N	K-Set				
250	1322	TM	2042	TM								
300	1538	TM	2366	TM	3319	TM						
350	1754	TM	2691	TM	3774	TM	5233	TM				
400	1970	TM	3015	TM	4229	TM	5841	TM*				
450	2185	TN	3339	TN	4685	TN	6449	TN*				
500	2401	TN	3664	TN	5140	TN	7058	TN*				
550	2617	TN	3988	TN	5595	TN	4317	TP				
600	2833	TN	4312	TN	6050	TN*	4667	TP				
650												

\* only in combination with anchor bolt FAZ M12 GS A4

N = extraction force in Newton (N) per installation screw; K-Set = intended bracket set.

**Advice:** the above mentioned extraction forces are also effective for application of guide bar PRISMA.

**Advise for rafter installation:** for width up to 400 cm two brackets and width up to 650 cm 3 brackets will be used (for wind resistance category 0).



# CLASSIC Maxima



# CLASSIC Maxima

Advise to DIN EN 13561

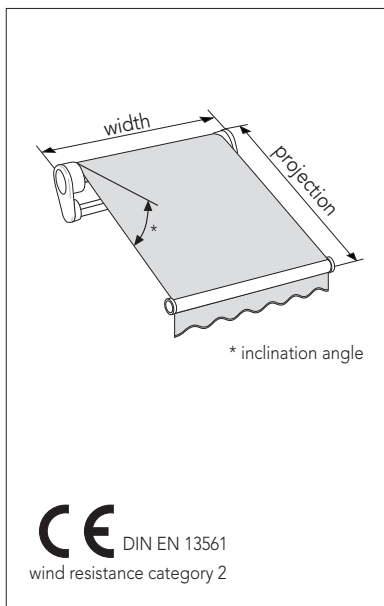
The standard delivered brackets are for installation on concrete C20/25. Due to static reasons, it is mandatory to advise with the order, if there is an other installation substructure, or installation on insulated plaster, then it is necessary to use different brackets, respectively other accessories (additional charge).

## PRODUCT OUTLINE

item no. 08-1866 wall installation

item no. 08-1867 ceiling installation

Retractable awning with square carrier bar, for sun protection of small and depth areas (more projection as width). Side bearings made of aluminium inclusive cover, circular drop bar with lateral end caps, fabric tube made of galvanized steel up to projection 350 cm ø 78 mm, up to projection 400 cm ø 90 mm. Lateral folding arms mounted lying upon each other, transmission of power with strap hinge, angle of inclination is adjustable with spindle. Brackets for mounting on concrete (C20/25). Manual operation with crank or electric motion. Awning is with valance (height 28 cm). Coupling of awning is not possible.



## Technical details

<b>Width and projection:</b>	– width from 110 cm up to 429 cm	
	– projection 150 / 200 / 250 / 300 / 350 / 400 cm	
	width of awning	
	maximum projection	
	from 110 (123*) cm to 179 cm	150 cm
	from 135 (148*) cm to 229 cm	200 cm
	from 160 (173*) cm to 279 cm	250 cm
	from 185 (198*) cm to 329 cm	300 cm
	from 210 (223*) cm to 379 cm	350 cm
	from 235 (248*) cm to 429 cm	400 cm

\* at bracket set TC or TO

**Joint arms:** – left joint arm subjacent  
– right joint arm overhead

**inclination angle:** – adjustable from 0° up to 40°

**frame colours:** – **standard colours:**

white powder coated	RAL 9016 (MHZ-no. 171)
brown powder coated	RAL 8019 (MHZ-no. 584)
anthracite powder coated	DB 703 (MHZ-no. 703)
silver powder coated	RAL 9006 (MHZ-no. 900)

– **special colours:** as per RAL colour chart

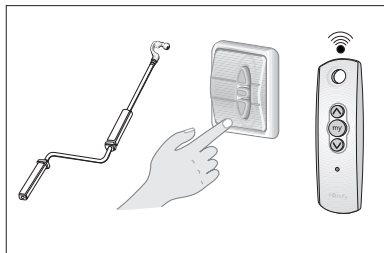
**awning fabric:** – please see MHZ fabric range for awnings and shading systems

## Operation

**Hand crank operation:** for projections up to 350 cm with integrated gear with sliding clutch (GFT) removable crank in different standard length (100, 120, 140, 160, 180, 200 cm).

Projection of 400 cm only available with electric motion.

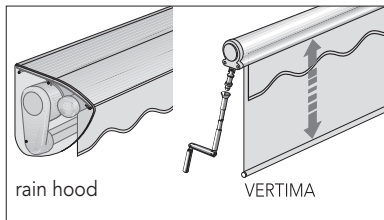
**Electric motion:** with manual final position adjustment and thermal protection.  
Option: electric motion with integrated radio receiver and hand transmitter.



## Additional equipment

**rain hood:** two-part rain hood made of aluminium, powder coated, sealing lip, side cover, installation with separate fixing bracket on carrier bar.

**VERTIMA:** drop valance, for width up to max. 429 cm and projection up to 300 cm, integrated inside of special drop bar. Height approx. 150 cm. Operation with removable crank (length 60 cm).



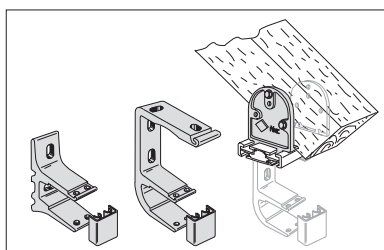
## Installation

(for installation on concrete C20/25, delivery of awning without installation screws respectively dowels)

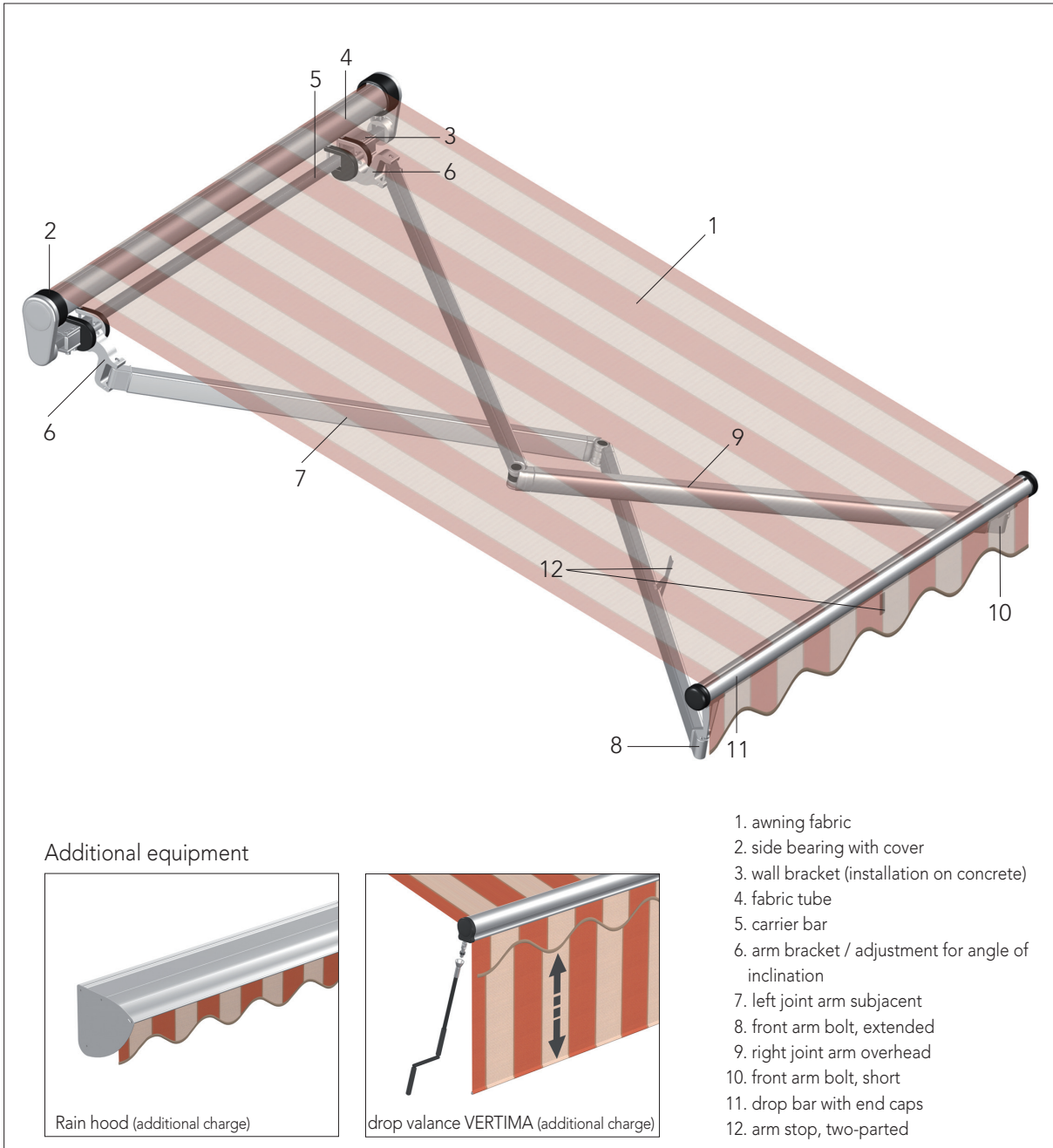
**installation on:** wall, ceiling (accessory), rafter\* (accessory)

**Advice:** the delivered installation brackets are for installation on concrete C20/25. Other installation substructure, as well as installation on insulated plaster is mandatory to be mentioned with the order, because other installation brackets or accessories could be necessary (additional charge). Please consider the extraction forces.

\***Advice:** for installation on wood, wind resistance category 0 is valid. Maximum projection 300 cm.



## MODEL ILLUSTRATION



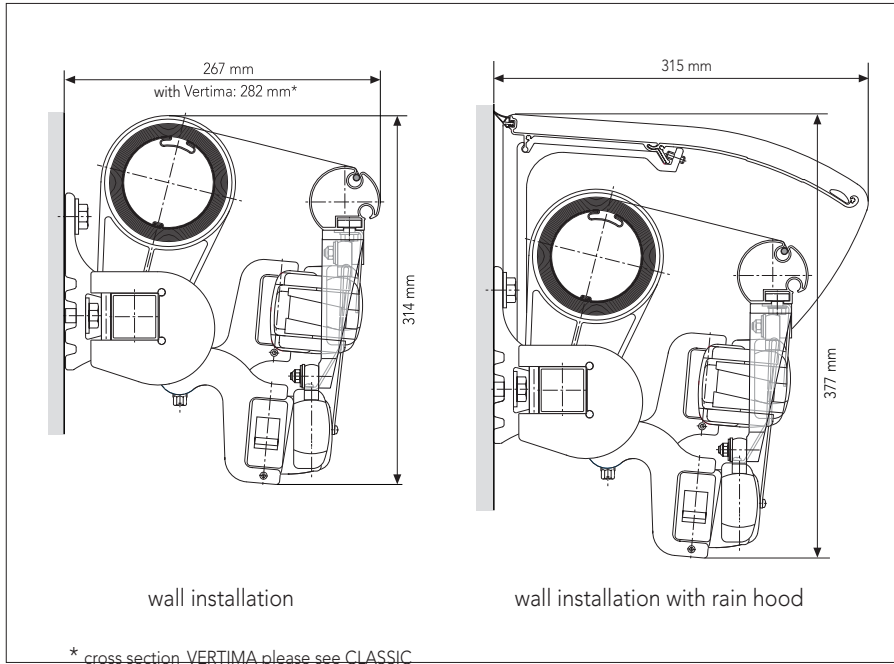
**order details** please use order form for awnings ([www.mhz.de](http://www.mhz.de))

item no.	design of valance	installation
frame colours	colour of valance binding	installation substructure *(maybe additional charge)
width	mode of operation	additional equipment
projection	operation side (seen from outside)	accessories
fabric no.	length of crank	

**\*Advice:** for orders without details of installation substructure you will receive brackets for the installation on concrete C20/25. Please consider the respective extraction forces depending on the installation substructure and the bracket set. Other installation substructure, as well as installation on insulated plaster is mandatory to be mentioned at order, because other accessories could be necessary (additional charge).

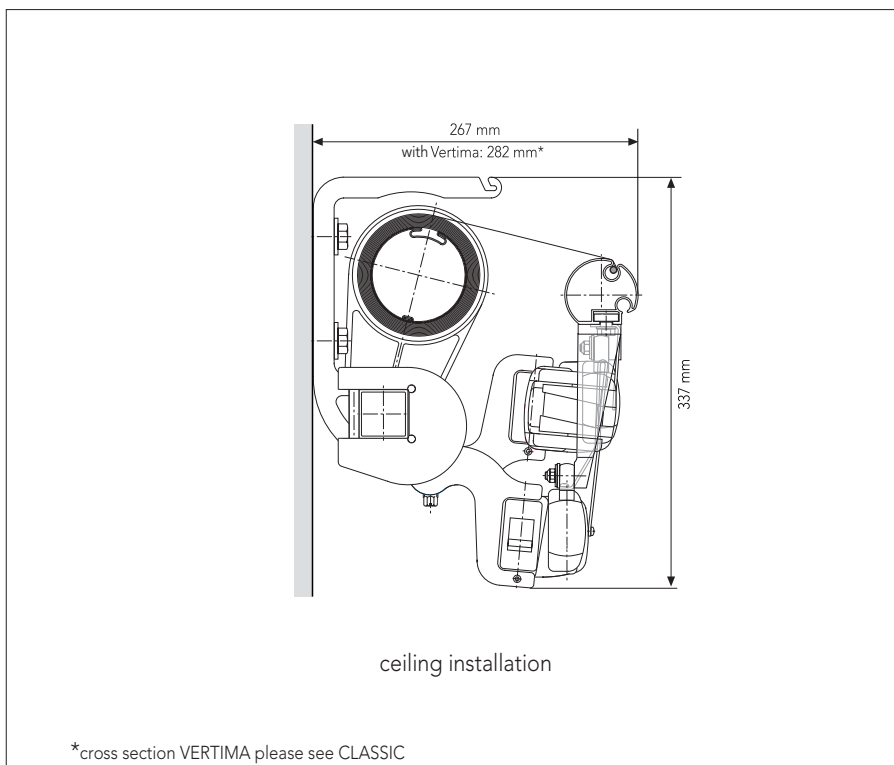
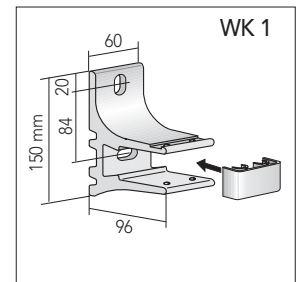
# CLASSIC Maxima

## TECHNICAL DETAILS



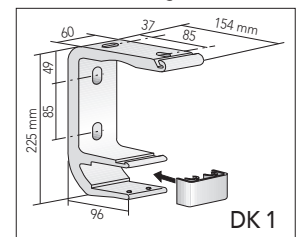
### wall installation

**standard wall bracket**  
for installation on concrete  
(delivered with awning)

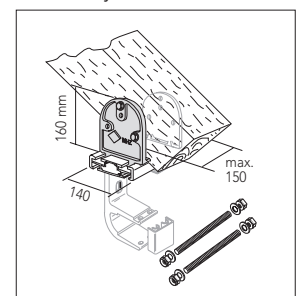


### ceiling installation

**standard ceiling bracket**  
for installation on concrete  
(additional charge)



**rafter bracket\***  
(accessory)

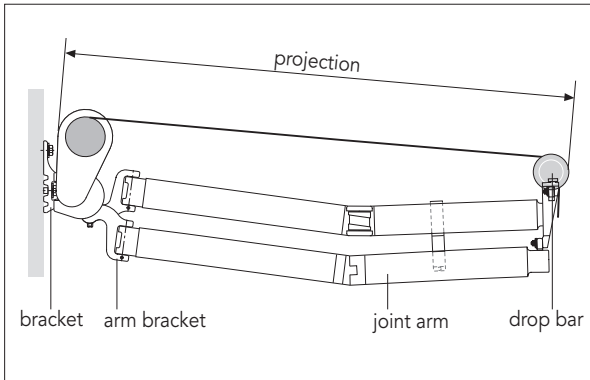


If required we will send to you 1:1 drawings of our awning constructions for wall and ceiling installation.

**\*Please note:** for installation on wood wind resistance category 0 is valid. The maximum projection is 300 cm. Please check static of wooden construction before. Please draw a sketch with position of awning, rafters and the space between. Please ask for form sheet „ measurement of center to center brackets CLASSIC“.

## TECHNIC AND DIMENSIONS

### Brackets and joint arms (installation on concrete)



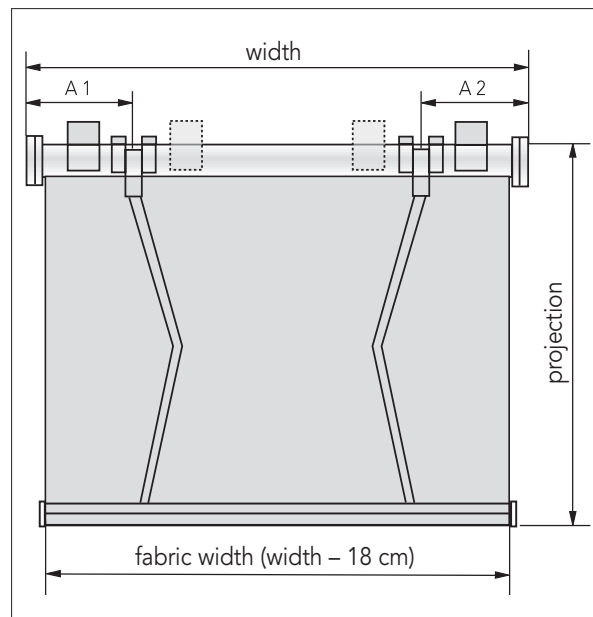
width of awning in cm	number of brackets*	number of joint arms
110 – 429	2	2

**Advice:** deviating to this overview, for some system widths with projections of 300/350/400 cm more installation brackets will be delivered. Please see overview „extraction forces and bracket sets (K-set) for the accurate number of brackets depending on the installation substructure.

### Projection and measurement of center to center brackets

Measurement of axes A1, A2 in cm for installation on concrete

projection of awning in cm	width of awning in cm	measurement of axes A1, A2 in cm
150	110-149	8-14
	150-179	18
200	135-149	8-14
	150-199	18
	200-229	40
	160-199	8-14
250	200-249	18
	250-279	40
	185-199	8-14
	200-249	18
300	250-299	40
	300-329	60
	210-249	8-14
	250-299	18
350	300-349	40
	350-379	80
	235-249	8-14
	250-299	18
400	300-349	40
	350-399	60
	400-429	80



**Please note:** Installation brackets should be fitted max. 10 cm away from arm bracket. For standard awnings the dimension A1 and A2 is the same.

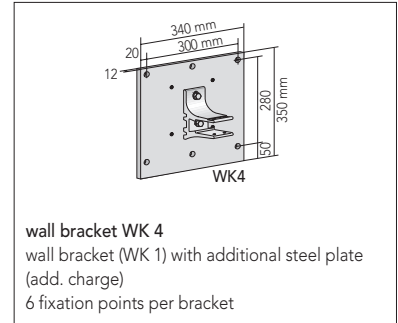
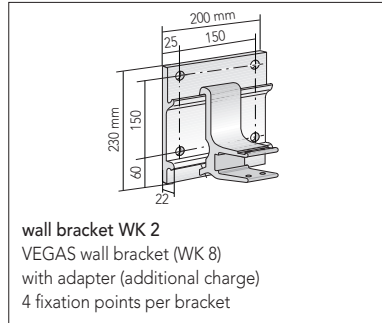
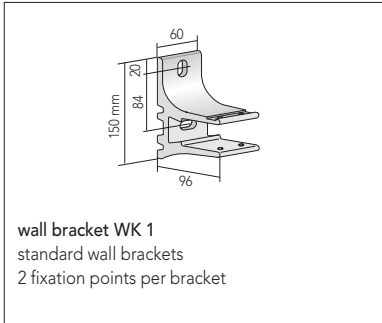
Special measurement of center to center brackets for installation on other substructure are optional possible. Please ask for form sheet „measurement of center to center brackets,, CLASSIC Maxima.

# CLASSIC Maxima

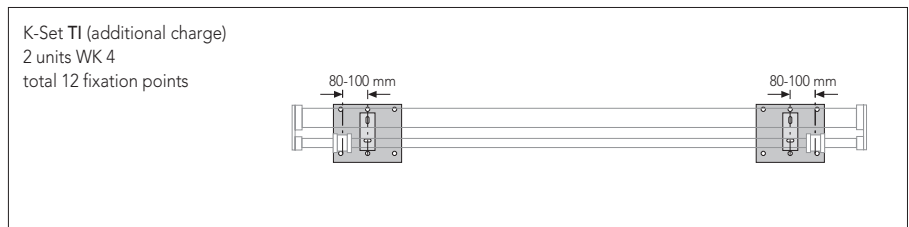
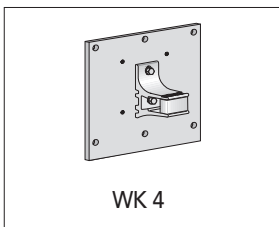
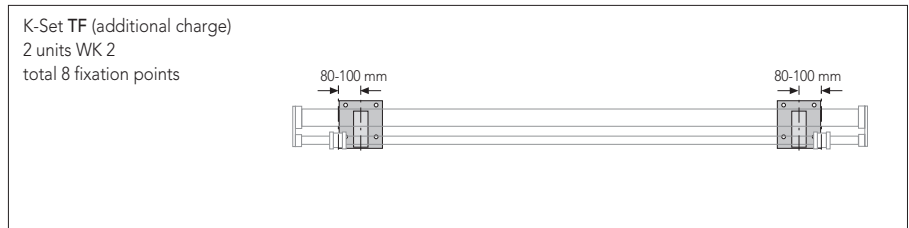
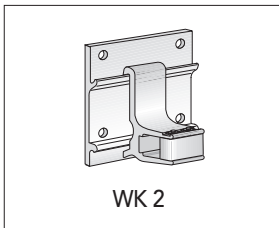
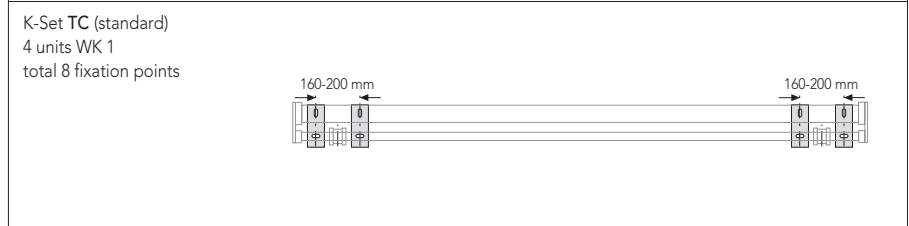
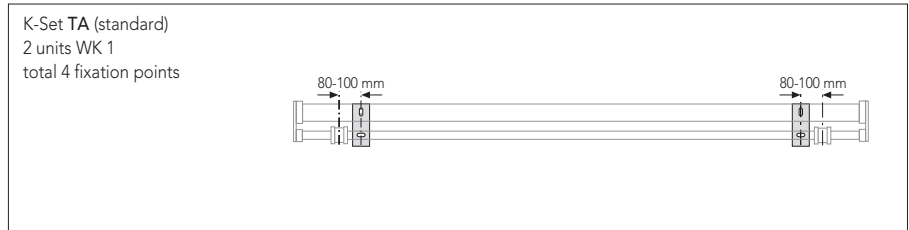
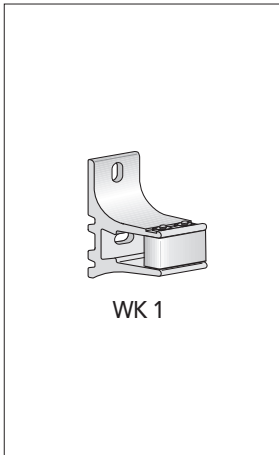
**Advise to DIN EN 13561**  
 The standard delivered brackets are for installation on concrete C20/25. Due to static reasons, it is mandatory to advise with the order, if there is another installation substructure, or installation on insulated plaster, then it is necessary to use different brackets, respectively other accessories (additional charge).

## WALL BRACKET SET (K-SET)

### wall brackets



### wall installation



It is possible to install the brackets outside or inside the arm brackets. Pairs of brackets have to be installed on the left and right side of the arm bracket. Consider the measurement of center to center brackets!

K-set = bracket set; WK = wall bracket

# CLASSIC Maxima

## EXTRACTION FORCES AND BRACKET SETS for wind resistance category 2

Extraction forces in Newton (N) per installation screw

In order that the wind resistance categories which are stated by us holds the validity, the fastener of the assembler has to match with the substructure. For incoming orders without details of installation substructure you will receive brackets for the installation on concrete C20/25. Please keep in mind, that these brackets are possibly not usable for other substructure. To fulfil the DIN EN 13561 it is essential to install the kind and number of brackets which are recommended per product. Thereby you have to consider absolutely the determined dowel extraction forces, as well as the installation and mounting references of the producer of fastener (inclusive edge distance). Accurate extraction forces depending to thickness of insulated plaster and the demanded bracket set, as well as installation on other substructure, on request (please also see column insulated plaster systems on page T1-45).

### CLASSIC Maxima without VERTIMA

wall installation on concrete C20/25

width in cm	projection in cm											
	150		200		250		300		350		400	
	N	K-Set	N	K-Set	N	K-Set	N	K-Set	N	K-Set	N	K-Set
150	511	TA	851	TA								
200	621	TA	1031	TA	1499	TA	2193	TA				
250			1212	TA	1766	TA	2563	TA	3446	TA	5180	TA
300					2023	TA	2932	TA	3935	TA	5922	TA*
350							3302	TA	4423	TA	6665	TA*
400									4912	TA	7407	TA*
429											3926	TC

### CLASSIC Maxima with VERTIMA

wall installation on concrete C20/25

width in cm	projection in cm											
	150		200		250		300					
	N	K-Set	N	K-Set	N	K-Set	N	K-Set				
150	598	TA	966	TA								
200	737	TA	1186	TA	1693	TA	2425	TA				
250			1405	TA	2008	TA	2852	TA				
300					2323	TA	3280	TA				
350							3708	TA				
400												
429												

wall installation on brick ≥ Mz 12

width in cm	projection in cm											
	150		200		250		300		350		400	
	N	K-Set	N	K-Set	N	K-Set	N	K-Set	N	K-Set	N	K-Set
150	155	TF	258	TF								
200	188	TF	311	TF	452	TF	660	TF				
250			365	TF	531	TF	770	TF	1035	TF	641	TI
300					610	TF	880	TF	1180	TF	733	TI
350							990	TF	547	TI	824	TI
400									608	TI	916	TI
429											971	TI

wall installation on brick ≥ Mz 12

width in cm	projection in cm											
	150		200		250		300					
	N	K-Set	N	K-Set	N	K-Set	N	K-Set				
150	181	TF	292	TF								
200	223	TF	357	TF	509	TF	729	TF				
250			423	TF	603	TF	857	TF				
300					697	TF	984	TF				
350							1111	TF				
400												
429												

wall installation on vertically perforated brick ≥ HLz 12

width in cm	projection in cm											
	150		200		250		300		350		400	
	N	K-Set	N	K-Set	N	K-Set	N	K-Set	N	K-Set	N	K-Set
150	155	TF	258	TF								
200	188	TF	311	TF	452	TF	660	TF				
250			365	TF	531	TF	770	TF	1035	TF	641	TI
300					610	TF	880	TF	1180	TF	733	TI
350							990	TF	547	TI	824	TI
400									608	TI	916	TI
429											971	TI

wall installation on vertically perforated brick ≥ HLz 12

width in cm	projection in cm											
	150		200		250		300					
	N	K-Set	N	K-Set	N	K-Set	N	K-Set				
150	181	TF	292	TF								
200	223	TF	357	TF	509	TF	729	TF				
250			423	TF	603	TF	857	TF				
300					697	TF	984	TF				
350							1111	TF				
400												
429												

wall installation on gas concrete ≥ PB2

width in cm	projection in cm											
	150		200		250		300		350		400	
	N	K-Set	N	K-Set	N	K-Set	N	K-Set	N	K-Set	N	K-Set
150	155	TF	258	TF								
200	188	TF	311	TF	452	TF	660	TF				
250			365	TF	531	TF	770	TF	1035	TF	641	TI
300					610	TF	880	TF	487	TI	733	TI
350							990	TF	547	TI	824	TI
400									608	TI	916	TI
429											971	TI

wall installation on gas concrete ≥ PB2

width in cm	projection in cm											
	150		200		250		300					
	N	K-Set	N	K-Set	N	K-Set	N	K-Set				
150	181	TF	292	TF								
200	223	TF	357	TF	509	TF	729	TF				
250			423	TF	603	TF	857	TF				
300					697	TF	984	TF				
350							459	TI				
400												
429												

\* only in combination with anchor bolt FAZ M12 GS A4

N = extraction force in Newton (N) per installation screw; K-Set = intended bracket set.

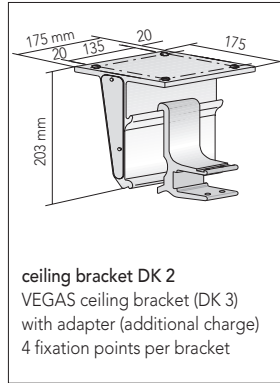
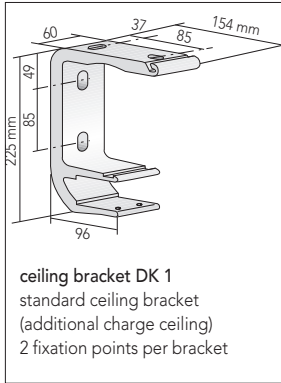
Subject to technical changes, edition 03.2011

# CLASSIC Maxima

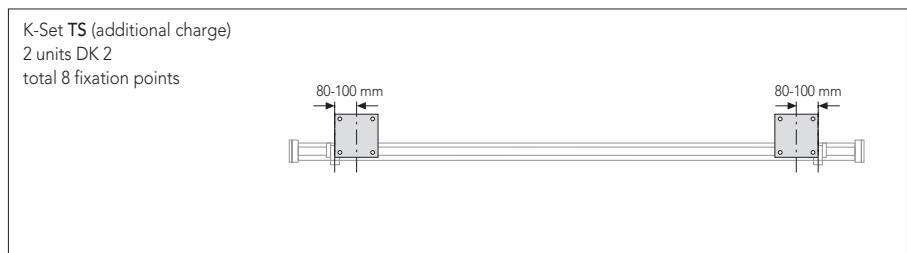
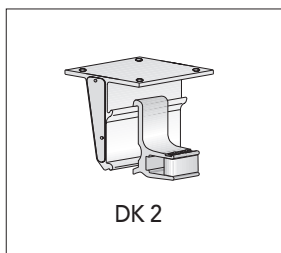
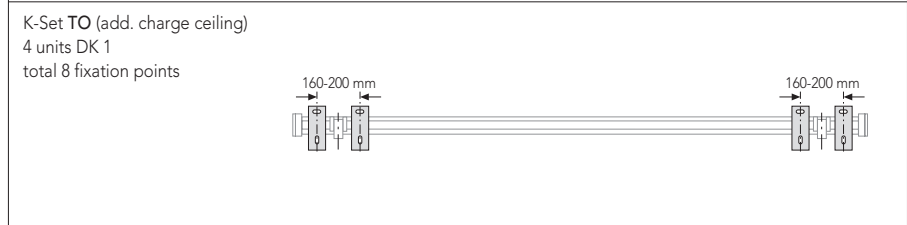
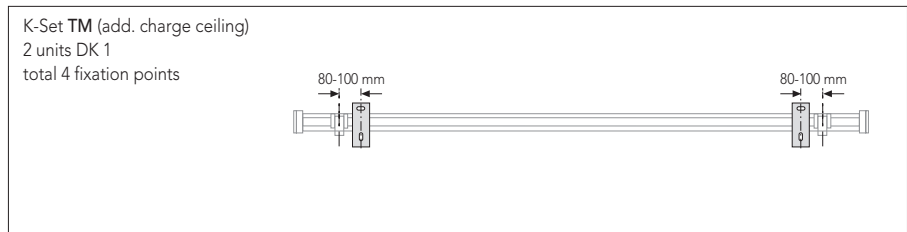
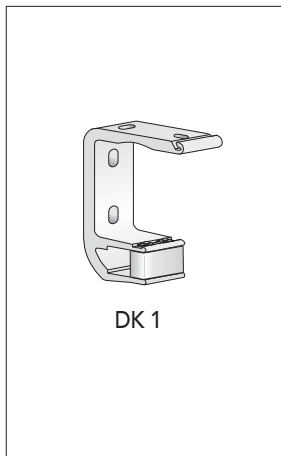
Advise to DIN EN 13561  
 The standard delivered brackets are for installation on concrete C20/25. Due to static reasons, it is mandatory to advise with the order, if there is an other installation substructure, or installation on insulated plaster, then it is necessary to use different brackets, respectively other accessories (additional charge).

## CEILING BRACKET SET (K-SET)

### ceiling brackets



### ceiling installation



It is possible to install the brackets left or right of the arm brackets. Pairs of brackets have to be installed on the left and right side of the arm bracket. Consider the measurement of center to center brackets!

K-set = bracket set; WK = wall bracket

# CLASSIC Maxima

## EXTRACTION FORCES AND BRACKET SETS for wind resistance category 2

Extraction forces in Newton (N) per installation screw

In order that the wind resistance categories which are stated by us holds the validity, the fastener of the assembler has to match with the substructure. For incoming orders without details of installation substructure you will receive brackets for the installation on concrete C20/25. Please keep in mind, that these brackets are possibly not usable for other substructure. To fulfil the DIN EN 13561 it is essential to install the kind and number of brackets which are recommended per product. Thereby you have to consider absolutely the determined dowel extraction forces, as well as the installation and mounting references of the producer of fastener (inclusive edge distance). Accurate extraction forces depending to thickness of insulated plaster and the demanded bracket set, as well as installation on other substructure, on request (please also see column insulated plaster systems on page T1-45).

**CLASSIC Maxima without VERTIMA**  
ceiling installation on concrete C20/25

width in cm	projection in cm											
	150		200		250		300		350		400	
	N	K-Set	N	K-Set	N	K-Set	N	K-Set	N	K-Set	N	K-Set
150	771	TM	1235	TM								
200	948	TM	1507	TM	2145	TM	3092	TM				
250			1778	TM	2534	TM	3621	TM	4826	TM	7191	TM*
300					2924	TM	4150	TM	5517	TM	4114	TO
350							4679	TM	6209	TM*	4633	TO
400									6900	TM*	5152	TO
429											5464	TO

**CLASSIC Maxima without VERTIMA**  
ceiling installation on concrete C20/25

width in cm	projection in cm											
	150		200		250		300					
	N	K-Set	N	K-Set	N	K-Set	N	K-Set	N	K-Set	N	K-Set
150	890	TM	1393	TM								
200	1106	TM	1718	TM	2409	TM	3408	TM				
250			2042	TM	2864	TM	4016	TM				
300					3319	TM	4625	TM				
350							5233	TM				
400												
429												

N = extraction force in Newton (N) per installation screw; K-set = intended bracket set

**Advise for rafter installation:** for width up to 429 cm two brackets will be used (for wind resistance category 0).



# LIGHT BAR

---

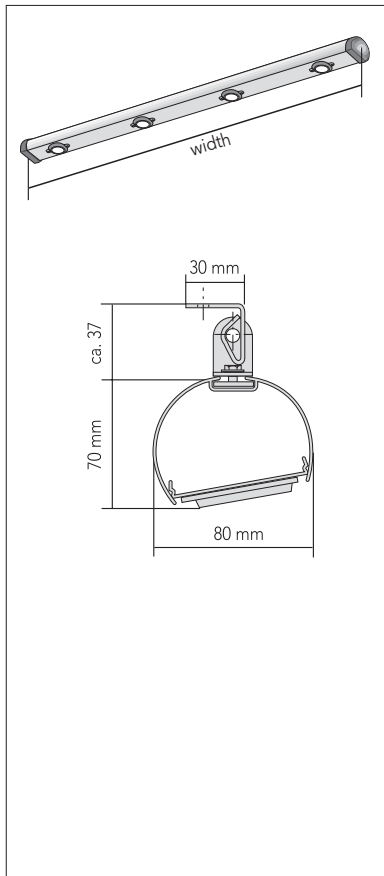


# LIGHT BAR

## PRODUCT OUTLINE

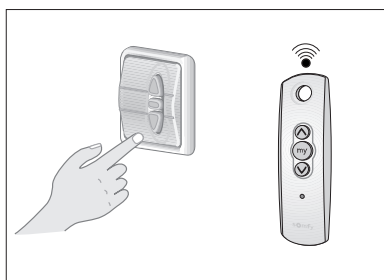
- item no. 08-1805 light bar for cassette awning VEGAS
- item no. 08-1806 light bar for cassette awning VENUS
- item no. 08-1807 light bar for carrier bar awning TETRIS / CLASSIC
- item no. 08-1808 light bar for separate wall- or ceiling installation

Light bar for retractable awnings. Two-parted extruded aluminium tube, with lateral end caps made of aluminium casting, with 4 integrated lights. Fixation of light bar below the fabric tube and between the arm brackets of the awning. Complete pre-assembled light bar with integrated transformer. Wired ready for connection, with 3 m cable, without plug and switch.



## Technical details

- width** – width 200 / 250 / 300 / 350 cm  
**Advice:** the installation has to be done between the arm brackets, only for awnings with 2 joint arms! For the maximum possible width of light bar, please see the column „Technique and dimensions“.
- frame colours:** – **standard colours:**
- |                              |          |               |
|------------------------------|----------|---------------|
| white powder coated          | RAL 9016 | (MHZ-no. 171) |
| silver powder coated similar | RAL 9006 | (MHZ-no. 900) |
| anthracite powder coated     | DB 703   | (MHZ-no. 703) |
| brown powder coated          | RAL 8019 | (MHZ-no. 584) |
- **special colours:** on request
- transformer:** – electronic transformer, max. 200 VA, 230 V, protection class IP 20  
 – connection to motion detector or dimmer is possible (please use only electronic- or universal dimmer!)
- light devise:** – 44 metal oxide vaporized mirror lights, GU 5,3 / 12 V/ 35 watt
- fixation:** – fixation of the light bar on the awning with provided holder
- Advice:**
- for reason of safety the light bar may only be installed below the awning or below the cover, it should not get in touch with rain
  - the light bar can not be installed on the tube awning VENTOS (recommendation: separate wall installation).



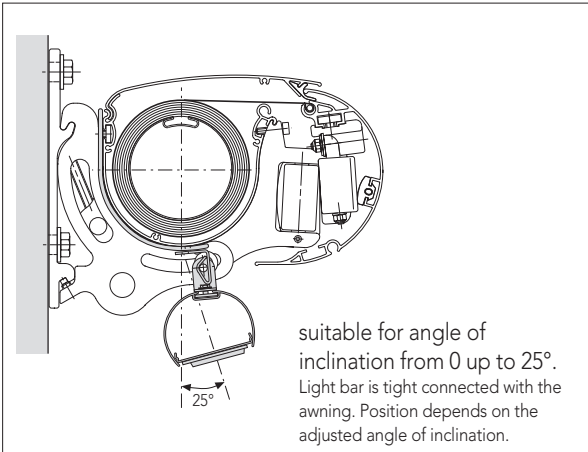
## Operation (not included!)

- Operation:** – operation with separate switch 230 V  
 Option: with separate radio receiver (dimnable) without hand transmitter

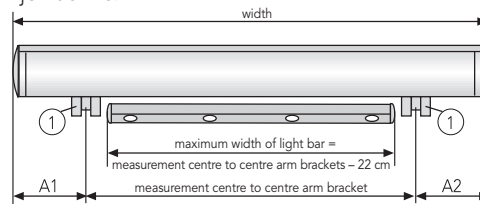
For hand transmitter please see electronic accessories.

## TECHNIC AND DIMENSIONS

### VEGAS

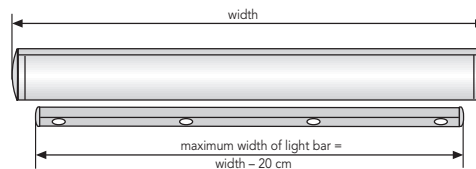
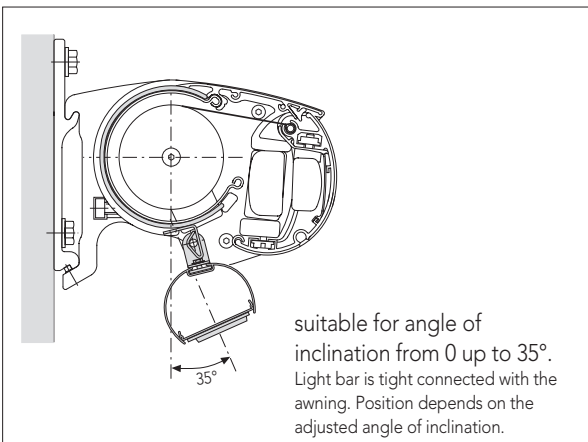


Installation between the arm brackets ①, and **only** for awnings with 2 joint arms.



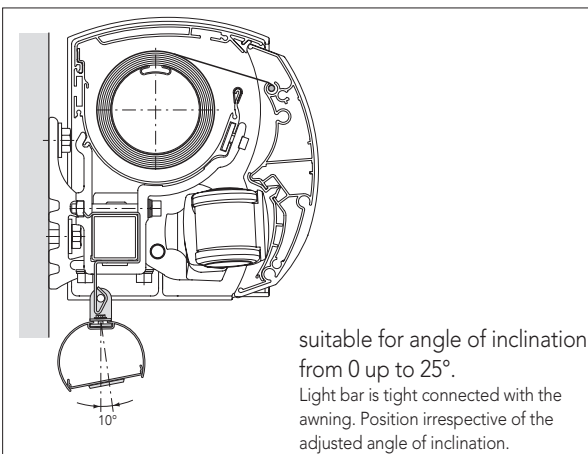
For the respective measurements of centre to centre arm brackets please see the column „projection and measurement of centre to centre arm brackets“ of the particular awning types. Calculation of the maximum width of the light bar  
Dimension between axes= width -A1 -A2  
Maximum width of light bar: dimension between axes- 22 cm

### VENUS

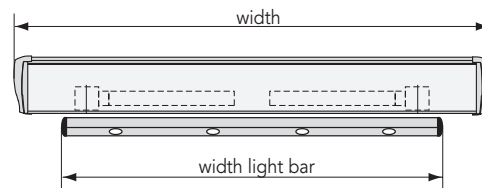


Calculation of the maximum width of the light bar:  
maximum width of light bar: width - 24 cm

### TETRIS



The fixation takes place between the arm brackets ①, and **only** for awnings with 2 joint arms!

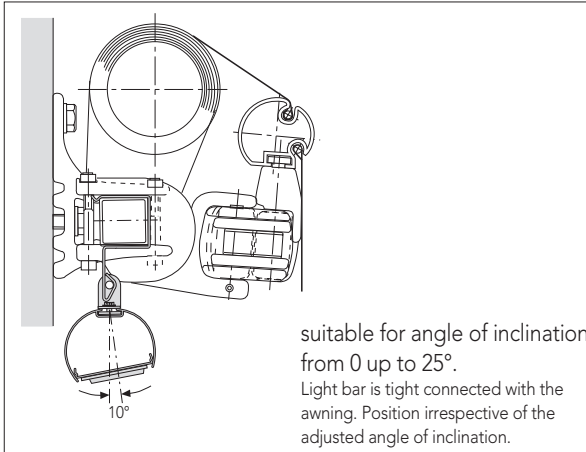


Calculation of the maximum width of the light bar:  
maximum width of light bar: awning width - 24 cm

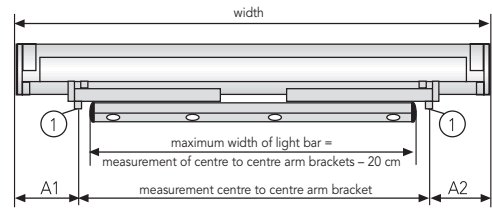
# LIGHT BAR

## TECHNIC AND DIMENSIONS

### CLASSIC

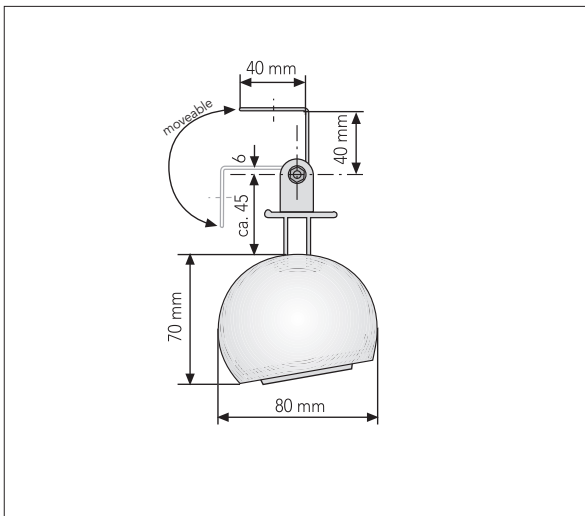


The fixation takes place between the arm brackets ①, and only for awnings with 2 joint arms!



For the respective measurements of centre to centre arm brackets please see the column „projection and measurement of centre to centre arm bracket“ of the particular awning types.  
Calculation of the maximum width of the light bar  
Measurement of centre to centre arm brackets = width - A1 - A2  
Maximum width of light bar: dimension between axes - 20 cm

### Wall- and ceiling holder, movable



For the separate fixation below an awning e.g. tube awning VENTOS.

**Advice:**

For reason of safety the light bar may only be installed below the awning or below the cover, it should not get in touch with rain.



# HEATER

---

## PRODUCT OUTLINE

---

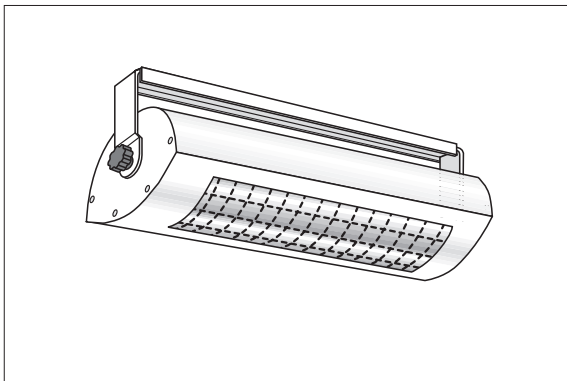
item-no. 08-2753 heater Solamagic 1400 W

item-no. 08-2754 heater Solamagic 2000 W

item-no. 08-2755 heater Solamagic 2000 W RC with radio controlled dimmer

### Solamagic 1400 W

---



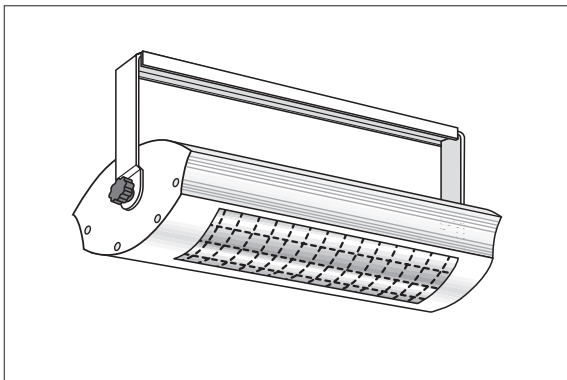
With lateral tappet switch at housing, complete with bracket for separate wall- or ceiling installation. A connecting cable with 30 cm, as well as complete Hirschmann- plug. Delivery without installation screws. Protection class IP 24.

**Standard-frame color:**

white powder coated	RAL 9016	(MHZ- no. 171)
silver powder coated	RAL 9006	(MHZ- no. 900)

### Solamagic 2000 W

---



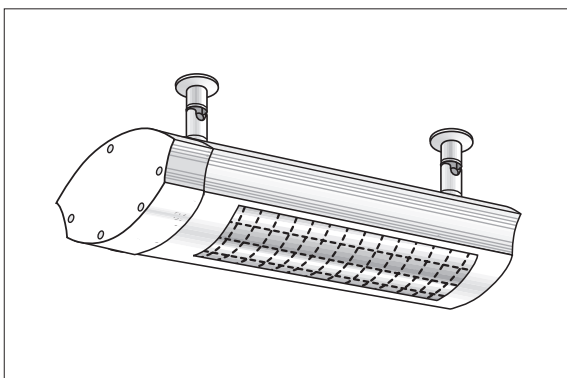
Without switch, complete with bracket for separate wall- or ceiling installation. A connecting cable with 30 cm, as well as complete Hirschmann- plug. Delivery without installation screws. Protection class IP 24. Please see matching switch at price list „accessories light bar“.

**Standard-frame color:**

white powder coated	RAL 9016	(MHZ- no. 171)
silver powder coated	RAL 9006	(MHZ- no. 900)

### Solamagic 2000 W RC with radio controlled dimmer

---



Operation by using Somfy radio controlled technique. It is possible to set 3 dimm levels (33%, 66%, 100%) per radio. Bracket for separate wall- or ceiling installation. A connecting cable with 250 cm complete with earthing type plug. Delivery without installation screws. Protection class IP 24. For operation a separate Somfy hand transmitter is required.

**Standard-frame colour:**

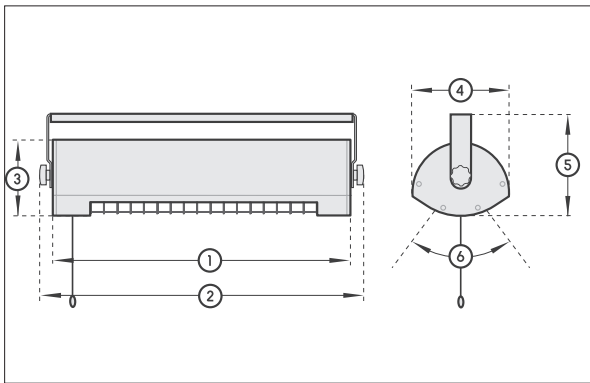
white powder coated	RAL 9016	(MHZ- no. 171)
silver powder coated	RAL 9006	(MHZ- no. 900)

## TECHNIC AND DIMENSIONS

**Please note:**

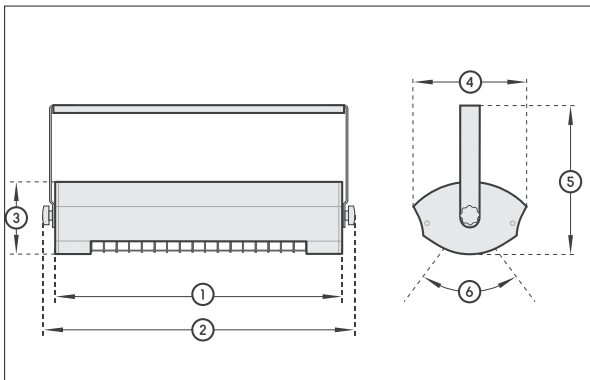
The connecting of the heater has to be done at especially for this radiator installed power outlet, which is conforming to standards. It has to be assured with a retaining element of 16 ampere (delayed action). Do not connect additional appliances. At using the heater no flammable materials (e.g. fabric or valance) are allowed in the direct closeness of the heat source (fire danger). The heat radiators are based on modern infrared technology. By using a special reflector, as well as the near infrared lamp, infrared heat is well-directed radiated. There is no heating-up period, the heat is available immediately after activation. Further product information are available on request.

### Solamagic 1400 W



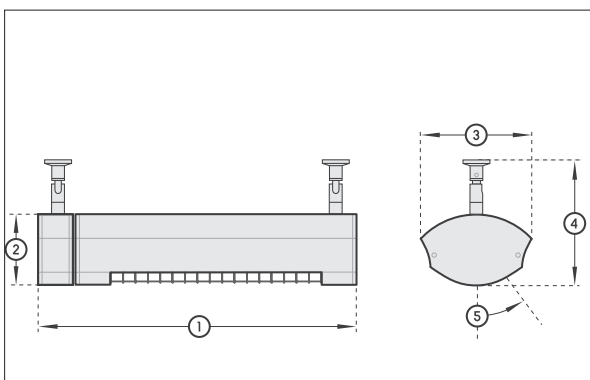
- 1.) length = 444 mm
- 2.) total length = 483 mm
- 3.) height = 110 mm
- 4.) width = 144 mm
- 5.) total height = 152 mm
- 6.) transition area = +/- 30°

### Solamagic 2000 W



- 1.) length = 444 mm
- 2.) total length = 483 mm
- 3.) height = 110 mm
- 4.) width = 144 mm
- 5.) total height = 152 mm
- 6.) transition area = +/- 30°

### Solamagic 2000 W RC mit RTS-Funkdimmer



- 1.) total length = 516 mm
- 2.) height = 110 mm
- 3.) width = 176 mm
- 4.) total height = 230 mm
- 5.) transition area = 30° onesided



# LOGGIA



# LOGGIA

**Advise to DIN EN 13561**

The maximum extraction at wall- or ceiling installation is at type LS ca. 910N and at type LF ca. 960 N per attachment point. The accurate value per dimension will be answered by request.

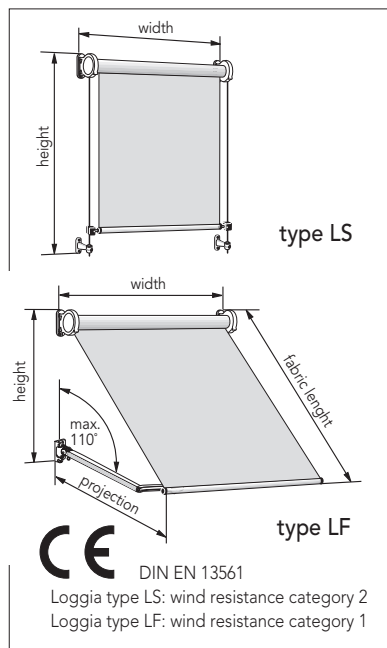
## PRODUCT OUTLINE

type LS item no. 08-1575 wall installation  
item no. 08-1576 niche installation

type LF item no. 08-1577 wall installation  
item no. 08-1578 niche installation

LOGGIA type LS vertical awning with drop bar  $\varnothing$  35 mm and rope guidance made of stainless steel ( $\varnothing$  2 mm) respectively LOGGIA type LF drop arm awning with drop bar  $\varnothing$  60 mm and cranked drop arms, power transmission through chain.

Fabric tube made of galvanized steel ( $\varnothing$  78 mm). Side bearing made of cast aluminium. Hand crank operation or electric motion.



## Technical details

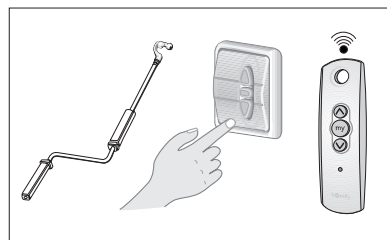
**width and height/projection:** Type LS: – width from 150 cm up to 600 cm  
– height from 100 up to 300 cm

Type LF: – width from 150 cm up to 600 cm  
– drop arms for 120/140/160 cm projection  
– angle of projection max. 110°

projection	height	fabric length
120 cm	137 cm	170 cm
140 cm	157 cm	200 cm
160 cm	177 cm	230 cm

**frame colours:** – **standard colours:**  
white powder coated RAL 9016 (MHZ-no. 171)  
brown powder coated RAL 8019 (MHZ-no. 584)  
anthracite powder coated DB 703 (MHZ-no. 703)  
silver powder coated RAL 9006 (MHZ-no. 900)  
– **special colours:** as per RAL colour chart

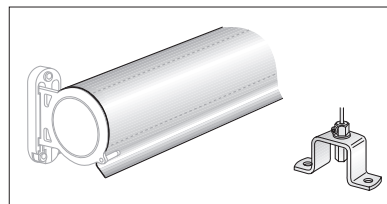
**awning fabric:** – please see MHZ fabric range for awnings and shading systems



## Operation

**hand crank operation:** with integrated worm gear, for operation from back side (behind) and removable crank in different standard length (100, 120, 140, 160, 180, 200 cm).

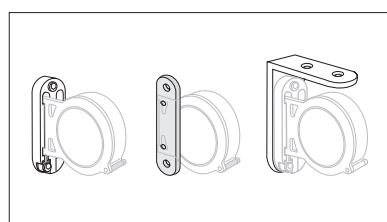
**electric motion:** with manual limit stop adjustment and thermal protection  
Option: motor with integrated radio receiver and hand transmitter.



## Additional equipment

**rain protection cover:** tube made of aluminium, powder coated

**rope holder:** rope fixation on floor (only type LS).



## Installation

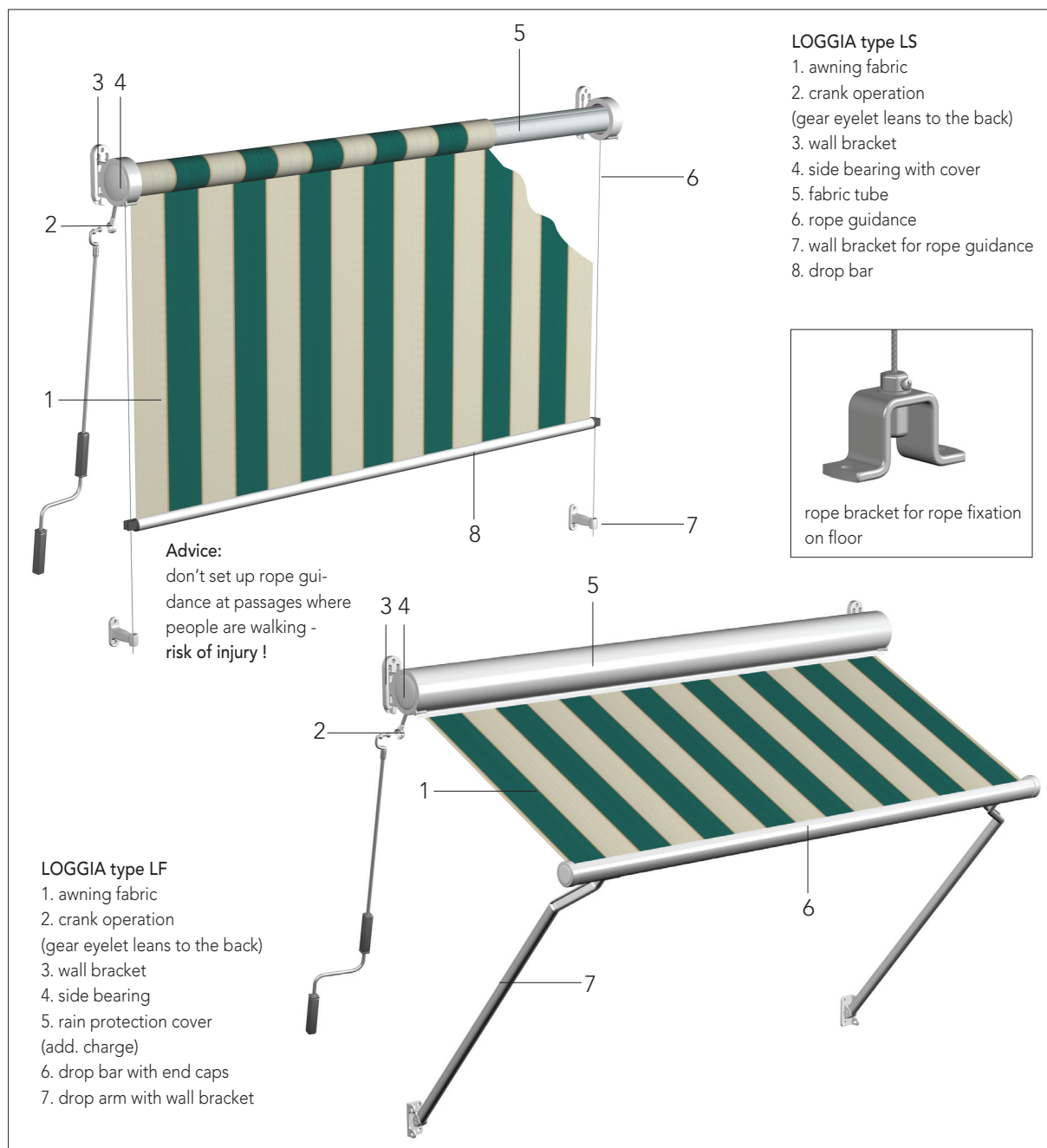
(installation on concrete C20/25, delivery of awning without installation screws respectively dowels)

**installation on:** wall, niche, ceiling (only type LS, accessory)

**Advice:** the delivered brackets are considered for the installation on concrete C20/25. The maximum extraction force for wall or ceiling installation is for type LS ca. 910N and for type LF ca. 960 N per attachment point. The accurate value per dimension will be answered by request.

**Advice:** for installation on wood wind resistance category 0 applies

## MODEL ILLUSTRATION



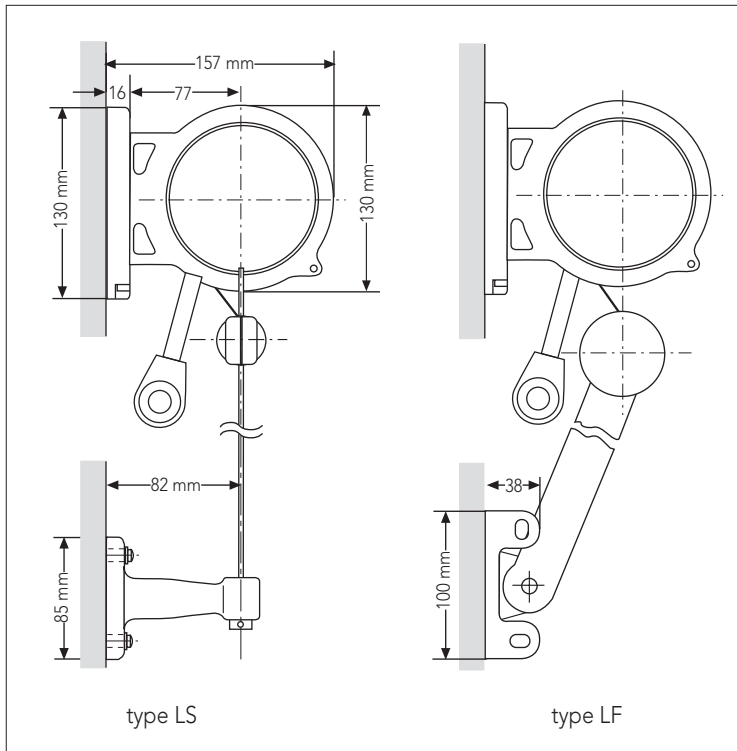
**order details** please use order form for awnings ([www.mhz.de](http://www.mhz.de))

item no.	mode of operation	accessories
frame colours	operation side (seen from outside)	
width	length of crank	
projection	installation	
fabric no.	installation substructure*	

**\*Advice:** for orders without details of installation substructure you will receive brackets for the installation on concrete C20/25. The maximum extraction at wall- or ceiling installation is at type LS ca. 910N and at type LF ca. 960 N per attachment point. The accurate value per dimension will be answered on request.

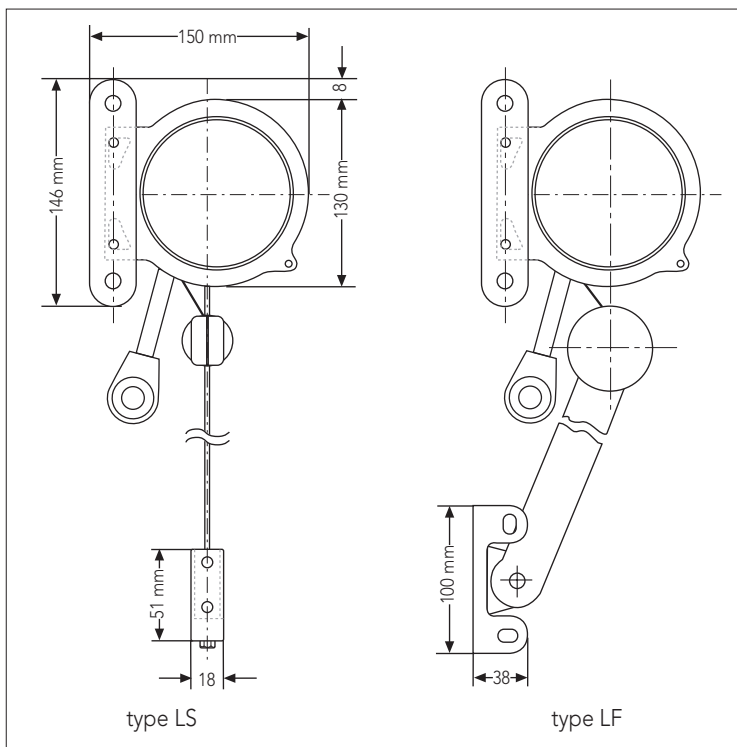
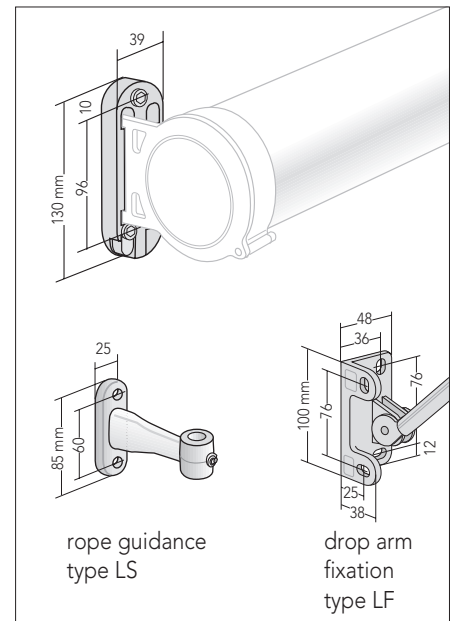
# LOGGIA

## TECHNICAL DETAILS



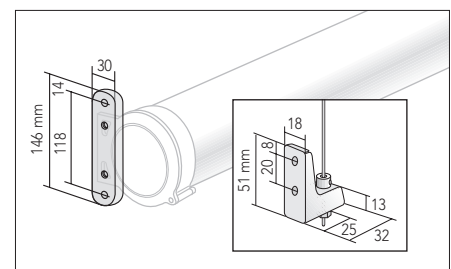
### wall installation

wall bracket und rope guidance (type LS)  
respectively drop arm fixation (type LF)  
(delivered with awning)



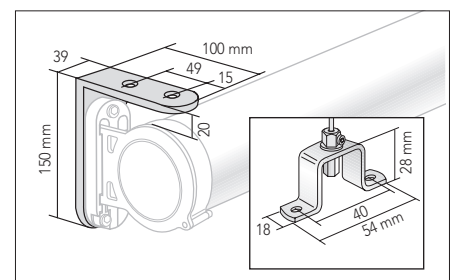
### niche installation

niche bracket (delivered with awning)



### ceiling installation

ceiling bracket (accessory)



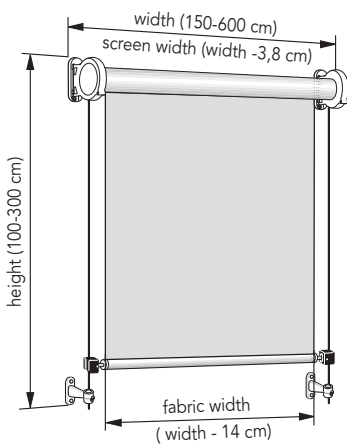
If required we will send to you 1:1 drawings of our awning constructions for wall and ceiling installation.

## TECHNIC AND DIMENSIONS

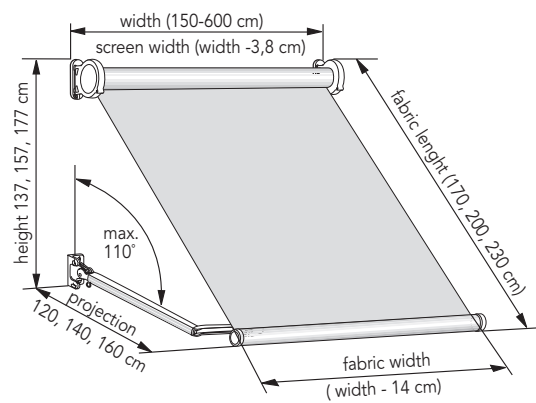
### Dimensions

order dimensions = over all width

type LS wall installation



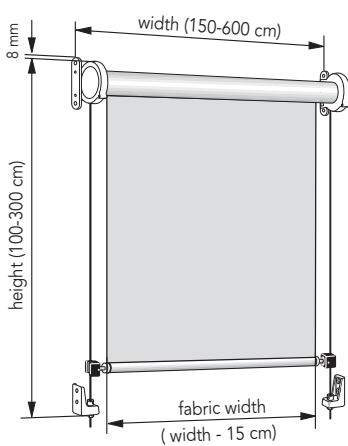
type LF wall installation



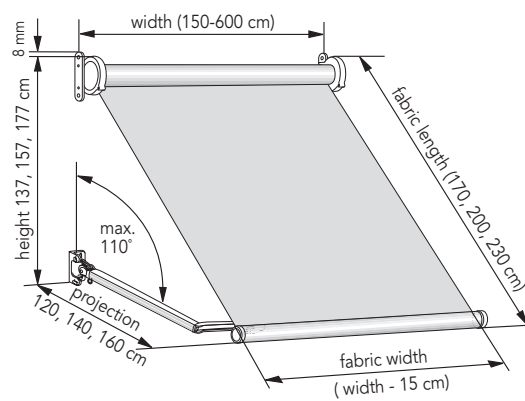
projection = length of drop arms

order dimensions = niche width

type LS niche installation



type LF niche installation



projection = length of drop arms



# SOLEO

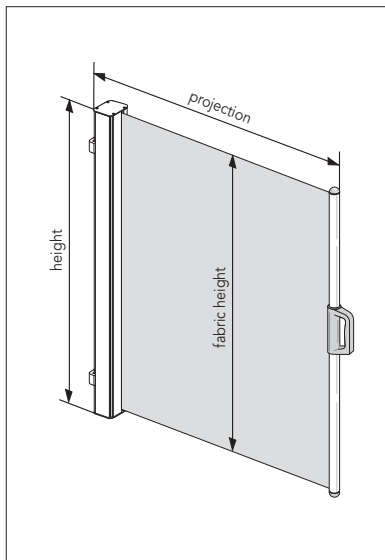


# SOLEO

## PRODUCT OUTLINE

### item no. 08-1245 wall installation

Side awning with aluminium cassette 95 x 95 mm and rounded tension profile  $\varnothing$  32 mm. Fabric tube made of galvanized steel ( $\varnothing$  63 mm) with retracted spring drive. Awning fabric in 8 standard colours.

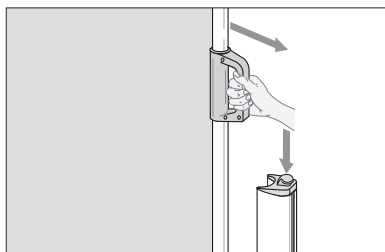


### Technical details

**height** – height 170 cm or 210 cm (fabric height = height - 11 cm)  
**projection:** – projection from 150 cm up to 350 cm

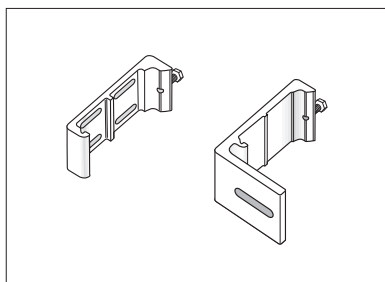
**frame colours:** – **standard colour:**  
 white powder coated RAL 9016 (MHZ-no. 171)  
 anthracite powder coated DB 703 (MHZ-no. 703)  
 silver powder coated RAL 9006 (MHZ-no. 900)

**awning fabric:** – please see MHZ fabric range for awnings and shading systems.  
 – **Please note:** stripes respectively pattern and seams run vertical.



### Operation

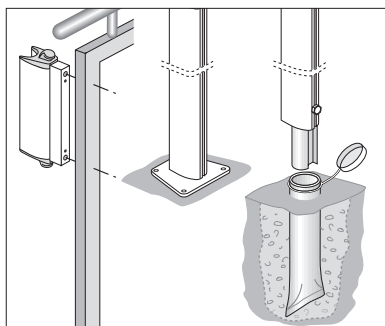
**hand operation:** pull out respectively pull in by handle at tension profile. Locked through descend of handle at wall fixation respectively at pole.  
 Consistent tension through spring drive within the fabric tube.  
**Advice:** to avoid wrinkling, lead tension profile horizontal. while pulling in.



### Installation

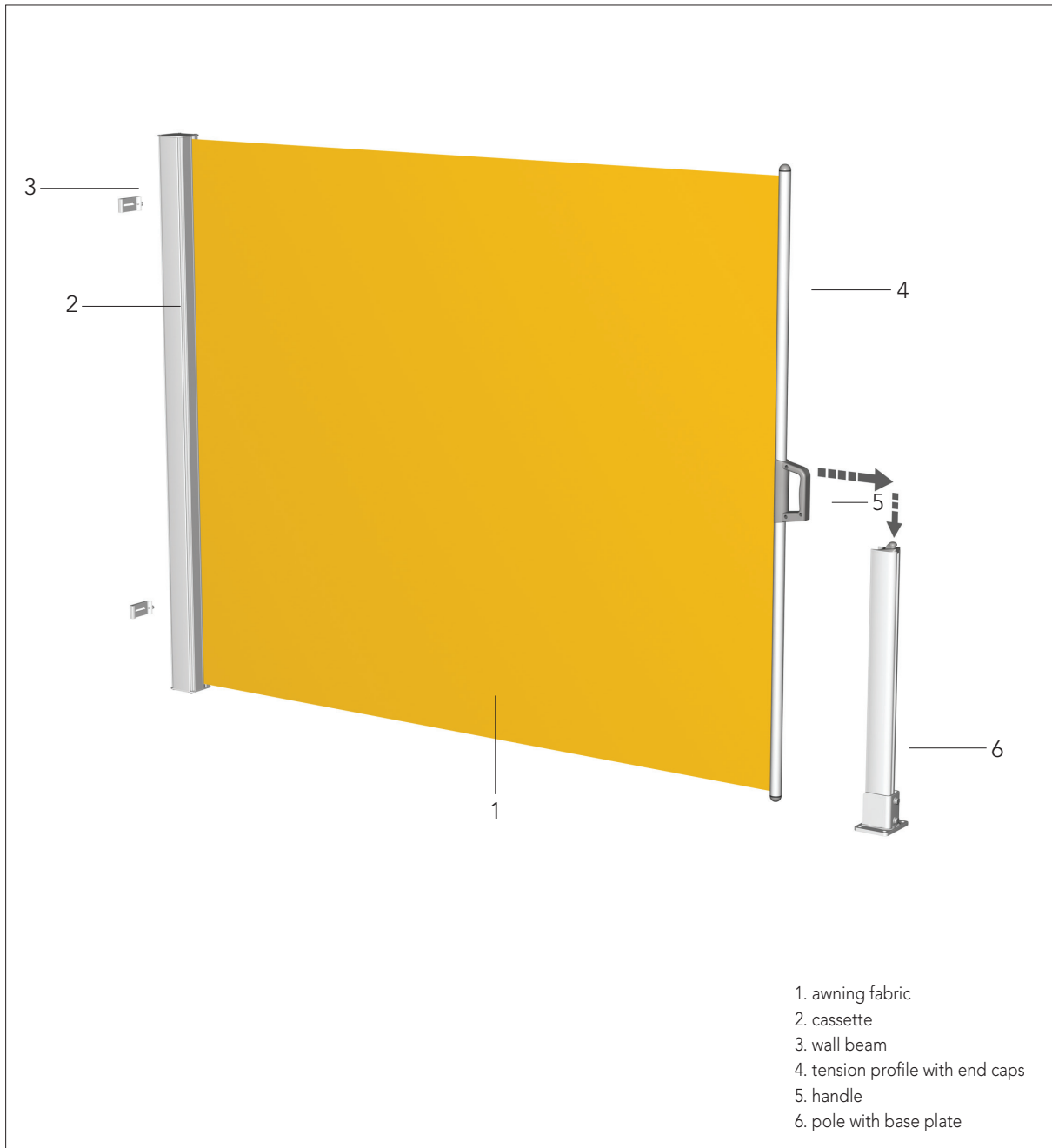
(delivery of awning without installation screws respectively dowels)

**cassette:** wall installation with wall beam  
 niche installation with niche angle respectively lateral angle (accessory)



**adjustment:** installation at wall or railing with wall bracket  
 installation at floor with pole and base plate  
 installation at floor with pole and base pipe

## MODEL ILLUSTRATION



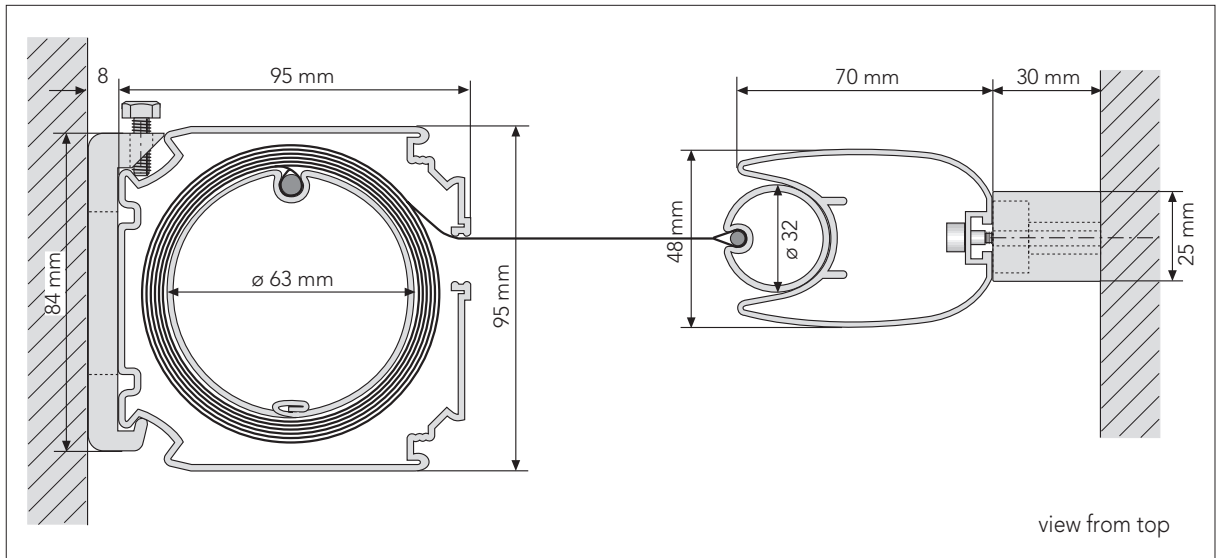
**order details** please use order form for awnings ([www.mhz.de](http://www.mhz.de))

item no.  
frame colours  
height  
projection

fabric no.  
adjustment  
accessories

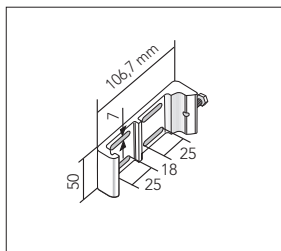
# SOLEO

## TECHNICAL DETAILS

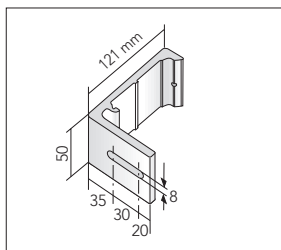


### installation

**wall beam**  
for installation at wall

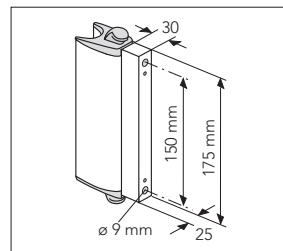


**niche angle**  
for niche installation  
(accessory)

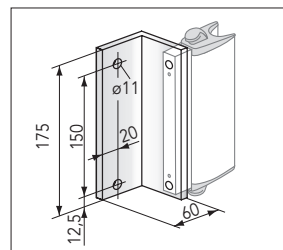


### Adjustment

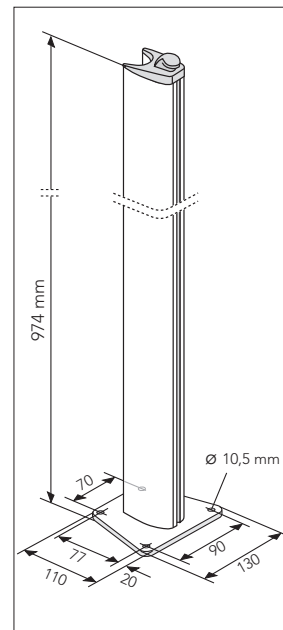
**wall / railing**  
for installation at wall of  
railing with wall bracket



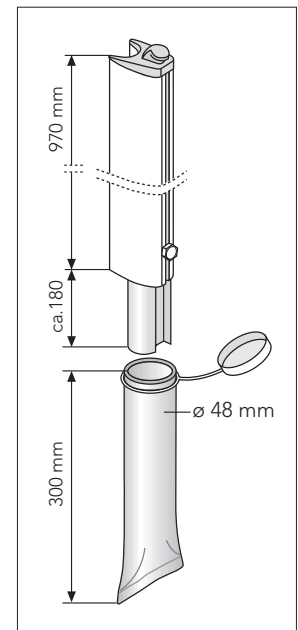
**lateral angle**  
for the lateral installation at  
wall or railing (accessory)



**pole with base plate**  
installation on floor with  
pole and base plate



**pole with base pipe**  
installation on floor with  
pole and base pipe



# TERRAZZO

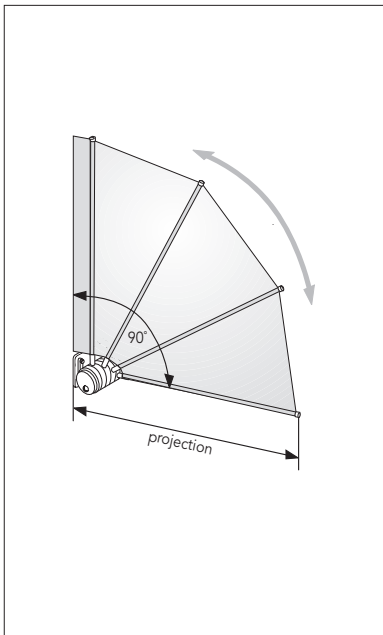


# TERRAZZO

## PRODUCT OUTLINE

item no. 08-1240 wall

Fan, fan bars and side bearings made of aluminium, fan discs made of white plastic. Fabric in 8 standard colours, inclusive white weather protection cover.



### Technical details

**projection and angle:** projection 100/125/150/175 cm  
angle 90°

**installation side:** left or right (seen from outside)  
**Please advise at order !**  
mounting side left: operation button right  
mounting side right: operation button left

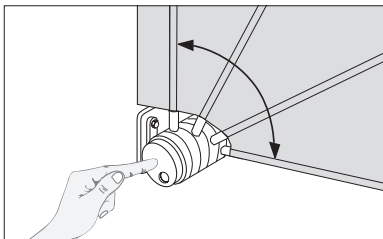
**frame colours:** – standard colour:  
white powder coated RAL 9016 (MHZ-no. 171)

**awning fabric:** – standard fabric (fabric-no.):

grey	1-970	yellow	1-980
orange	1-978	nopped brown	1-981
red	1-979	nopped grey	1-982
Soltis 90 white	90-1044	Soltis 90 blue	90-1021

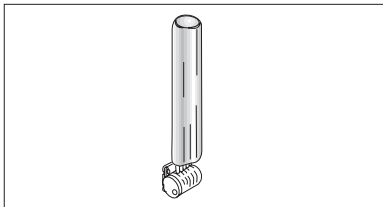
Soltis fabric with slight transparency and good cleaning quality.

– special fabric (additional charge)  
all plain colours are possible.  
Please see MHZ fabric range for awnings and shading systems



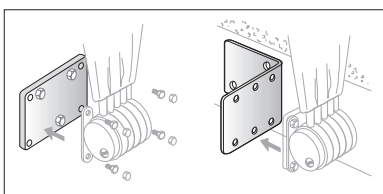
### Operation

**hand operation:** release lock by pushing the button on the side, fold out respectively fold in fan, lock clicks into place automatically at the final positions .



### Weather protection cover

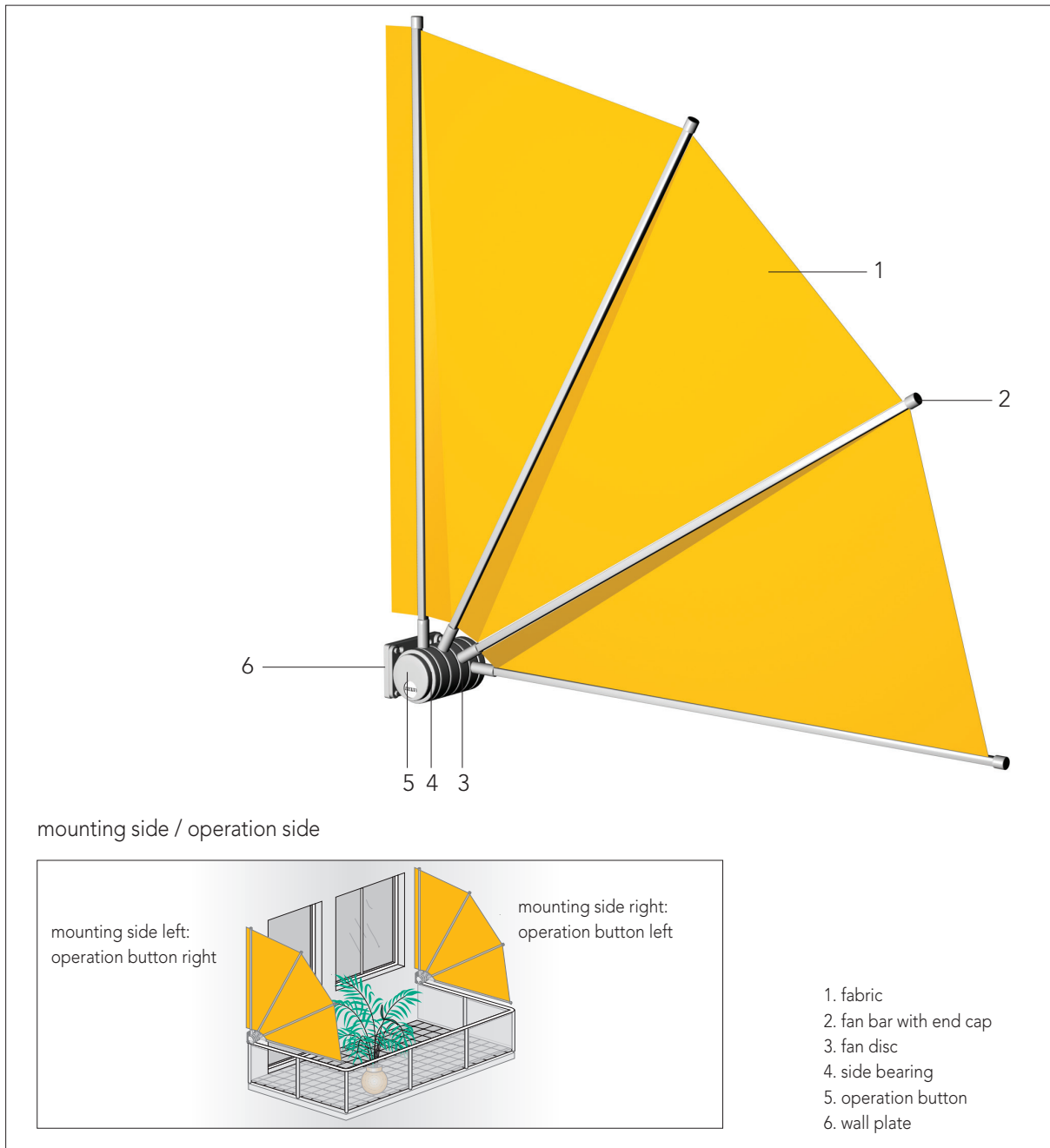
The white weather protection cover, made of PVC coated textile, will be delivered with fan.



### Installation (delivery of fan without installation screws respectively dowels)

**installation on:** wall  
niche (accessory)

## MODEL ILLUSTRATION

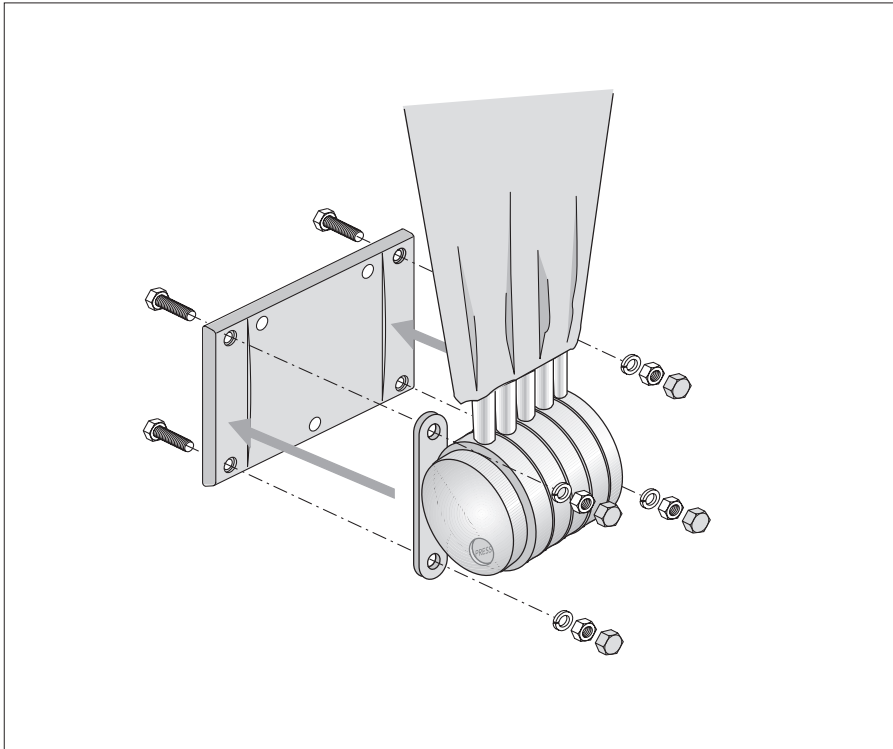


**order details** please use order form for awnings ([www.mhz.de](http://www.mhz.de))

item no.  
projection  
fabric no.  
mounting side left/right (seen from outside)  
accessory (niche angle)

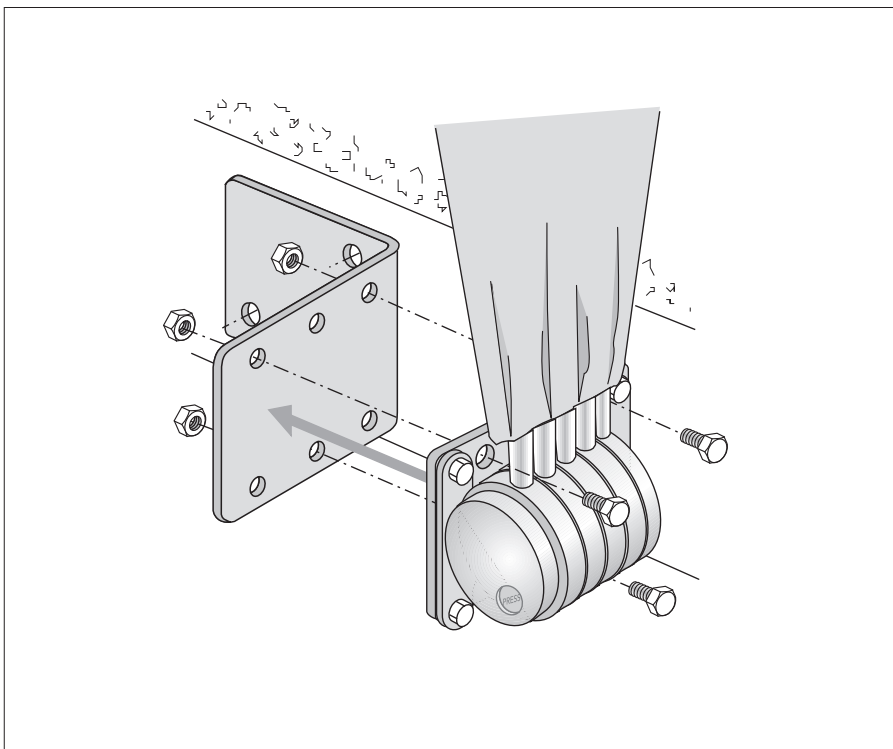
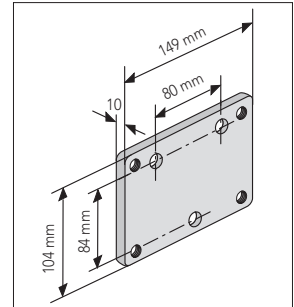
# TERRAZZO

## TECHNICAL DETAILS



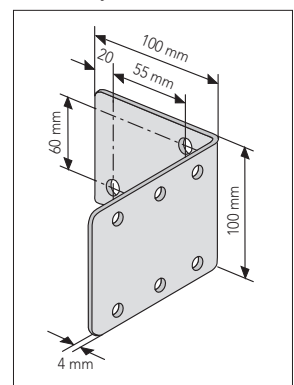
### wall installation

wall plate  
(delivered with system)



### niche installation

niche angle for wall plate  
(accessory)





**Cherfan Draperies S.A.R.L., Jal El Dib Main Roan, P.O.Box 60-367 Beirut Lebanon**

**T + 961 4 710061 F + 961 4 719061 E [info@creashade.com](mailto:info@creashade.com) W [www.creashade.com](http://www.creashade.com)**

**Canada Branch: Creashade Canada Inc., 505 Industrial, Road Unit B2, Ottawa, Ontario K1G OZ1**

**T + 1 613 627 3959 M + 1 613 794 0097**