



argenta[®] invisible

The invisible design hinge

Introduction

As a specialist in hinges and lift off hinges, Argent Alu nv presents an extensive range of concealed, 3-dimensional, and adjustable hinges: the *argenta® invisible*.

Thanks to the *argenta® invisible*, the door closes perfectly in line with the wall without any of the hinge being visible. This invisible hinge allows you to open any door to 180°.

The sublime design series *argenta® invisible neo* offers a perfect, pure, and aesthetic finish (no visible screws and available in trendy designs) together with a sophisticated, faster, and simpler installation facility: 'Easy-Hook' (fitting and 3D setting by only one person).



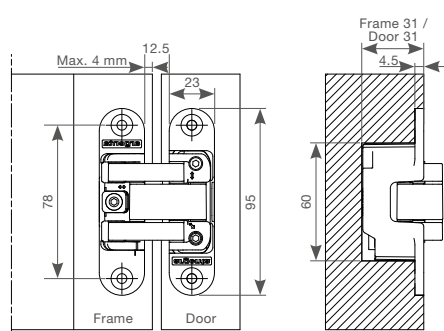
argenta® invisible colori small

Concealed and compact 3D adjustable composite hinge

The *argenta® invisible colori* is an invisible, 3D adjustable hinge made from composite material. This means that this hinge can easily be recycled and it can also be produced ecologically (energy-efficiently) because there is no extra surface treatment.

Thanks to the 3D adjustability and the low thermal conduction co-efficient (lambda value) the *argenta® invisible colori* is ideal for use in passive homes and energy-efficient homes.

- Available in different colours (black, white, or grey)
- 3D adjustable (height, depth, and pressure)
- Universal: for left and right-opening doors
- 180° opening angle
- Fully supported with synthetic joints
- Compact dimensions



Invisible colori small	
Material	PARA
Finish	White, grey, black
Door thickness	min. 31 mm
Door thickness with max. front panel	31 mm
Door weight (2 pcs) ⁽¹⁾	Up to 20 kg
Door weight (3 pcs) ⁽¹⁾	Up to 40 kg
Overall depth	31,5 mm (frame) / 31,5 mm (door)
Dimensions (L x W)	95 x 23 mm
Installation and adjustment	-
Height adjustment ⁽²⁾	-1,5 / +1,5 mm
Width adjustment ⁽²⁾	-1,5 / +1,5 mm
Pressure ⁽²⁾ (depth adjustment)	-1,5 / +1,5 mm
Max. front panel (cladding) size	4 mm
Fire resistant ⁽³⁾	-
Screw dia	max. 4,5

⁽¹⁾ based on a reference door of 1000 x 2000 mm

• ⁽²⁾ neutral position factory setting: standard of a 2 mm door margin

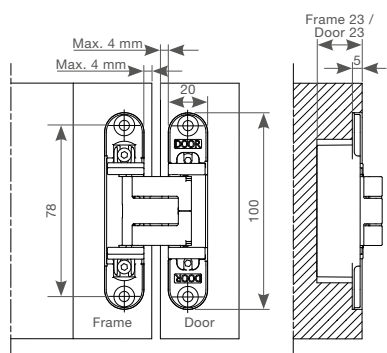
• ⁽³⁾ fire resistant according to standard EN1634-1: 2008 and classified according to EN1634-1: 2008

argenta® invisible pro XS-4

Concealed and compact adjustable hinge in wholesale packaging

The *argenta® invisible pro XS-4* is a concealed, compact, budget-friendly, simple, and adjustable hinge which is sold only in bulk. This new series of invisible hinges is aimed mainly at professional large-scale users.

- No visible screws
- Synthetic covers are available in different colours
- “Easy-hook light”: installation and adjustment by one person
- Simplified adjustability (height and width)
- Universal: for left and right-opening doors
- 180° opening angle
- Fully supported with synthetic joints
- Compact dimensions
- Only 23 mm built-in depth



Invisible pro XS-4	
Material	zamak + ASA
Finish	matt chrome + white, grey, black
Door thickness	min. 28 mm
Door thickness with max. front panel	28 mm
Door weight (2 pcs) ⁽¹⁾	Up to 40 kg
Door weight (3 pcs) ⁽¹⁾	Up to 50 kg
Overall depth	23 mm
Dimensions (L x W)	100 x 20 mm
Installation and adjustment	Easy-Hook light
Height adjustment ⁽²⁾	-2,5 / +2,5 mm
Width adjustment ⁽²⁾	-2,0 / +2,0 mm
Pressure ⁽²⁾ (depth adjustment)	-
Max. front panel (cladding) size	4 mm
Fire resistant ⁽³⁾	-
Screw dia	max. 4,5

ing to EN13501-2:2007. • Argent Alu reserves the right to make technical changes to its products without prior notice.

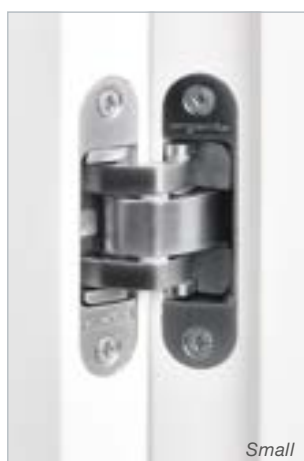
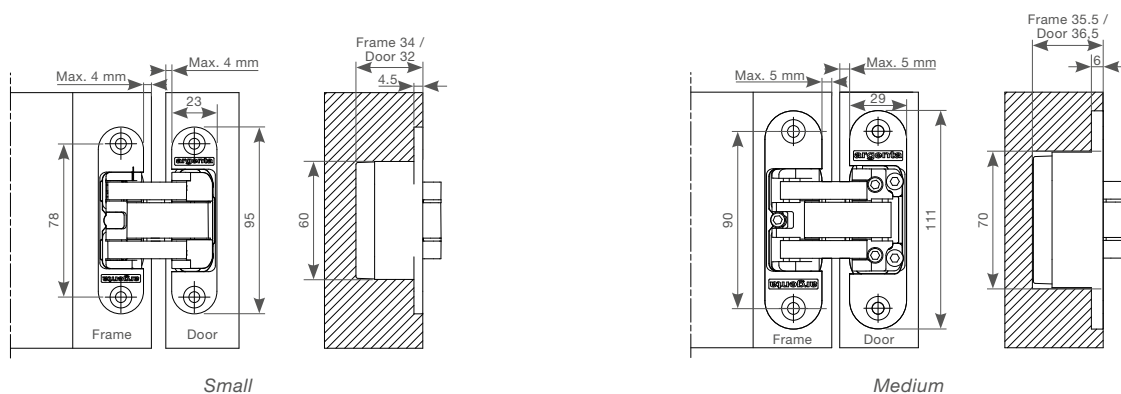
argenta[®] invisible

Concealed and 3D adjustable hinge

The *argenta[®] invisible small* and *medium* are highly compact, 3D adjustable hinges. The screws are always visible to give these hinges a technical look.

These standard invisible hinges are reversible (i.e. they can be used on both left and right-opening doors) and are easy to fit.

- 3D adjustable (height, depth, and pressure)
- Universal: for use on both left and right-opening doors
- Compact dimensions
- Fully supported with lubrication-free synthetic joints
- 180° opening angle



	Invisible small	Invisible medium
Material	zamak	
Finish	matt chrome	
Door thickness	min. 31 mm	min. 37 mm
Door thickness with max. front panel	31 mm	39 mm
Door weight (2 pcs) ⁽¹⁾	Up to 40 kg	Up to 40 kg
Door weight (3 pcs) ⁽¹⁾	Up to 50 kg	Up to 55 kg
Overall depth	34 mm (frame) / 32 mm (door)	35,5 mm (frame) / 36,5 mm (door)
Dimensions (L x W)	95 x 23 mm	111 x 29 mm
Installation and adjustment	-	
Height adjustment ⁽²⁾	-1,5 / +1,5 mm	
Width adjustment ⁽²⁾	-2,5 / +2,5 mm	
Pressure ⁽³⁾ (depth adjustment)	-1,5 / +1,5 mm	
Max. front panel (cladding) size	4 mm	5 mm
Fire resistant ⁽³⁾	-	E30, EI ₂ 30, EI ₁ 30, EW30
Screw dia	max. 4,5	max. 5

argenta® invisible neo

The invisible design hinge



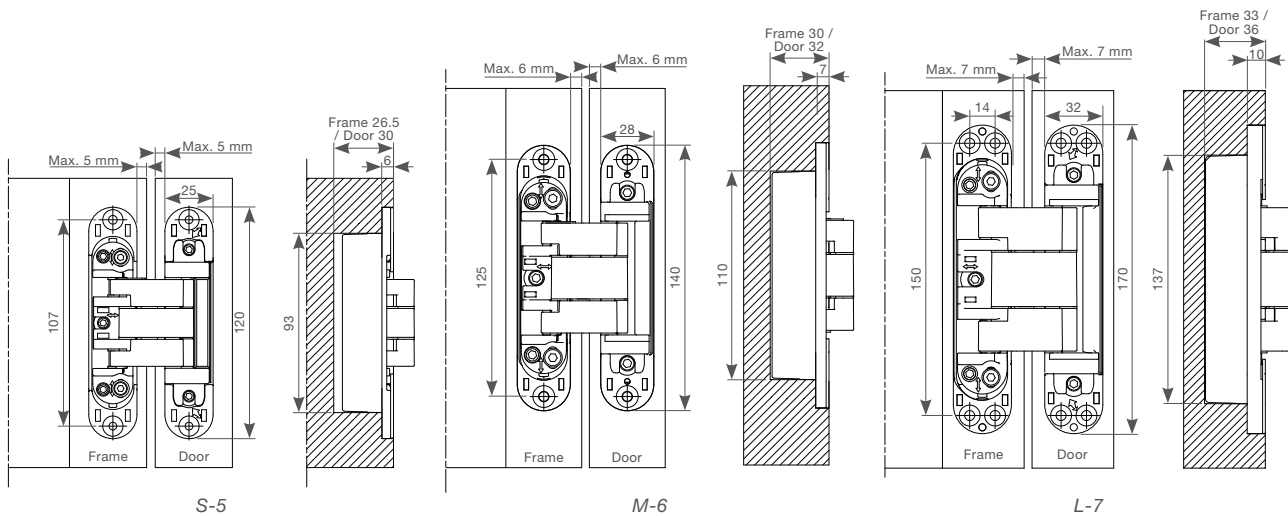
The *argenta® invisible neo* is a series of invisible hinges with an exceptionally high and sublime finish: not a single screw is visible.

You can adjust these hinges with precision easily, flexibly, and quickly, thanks to the built-in height-adjustment system. This unique system means you no longer need to put any wedges under the door to set the height.

The hinge casing in the door can be assembled beforehand in the workshop.

- Pure and qualitative design
- No visible screws
- 3 sizes: S-5, M-6, L-7
- Universal: for left and right-opening doors
- “Easy-hook”: installation and 3D adjustment by one person
- Extra simplified height adjustment: no wedge required
- 180° opening angle
- 3D adjustable (height, width, and depth) without taking the door off

**EASY
HOOK**



	invisible neo S-5	invisible neo M-6	invisible neo L-7
Material	zamak		
Finish	matt chrome, glossy chrome, stainless steel look, tar black, black umber, polished brass, bronze, dark bronze		
Door thickness	min. 33 mm	min. 36 mm	min. 40 mm
Door thickness with max. front panel	35 mm	40 mm	46 mm
Door weight (2 pcs) ⁽¹⁾	Up to 60 kg	Up to 80 kg	Up to 100 kg
Door weight (3 pcs) ⁽¹⁾	Up to 80 kg	Up to 100 kg	Up to 150 kg
Overall depth	26,5 mm (frame) / 30 mm (door)	30 mm (frame) / 32 mm (door)	33 mm (frame) / 36 mm (door)
Dimensions (L x W)	120 x 25 mm	140 x 28 mm	170 x 32 mm
Installation and adjustment	Easy-Hook		
Height adjustment ⁽²⁾	-2,5 / +2,5 mm	-3,0 / +3,0 mm	-3,0 / +3,0 mm
Width adjustment ⁽²⁾	-3,0 / +4,0 mm	-3,0 / +4,0 mm	-3,0 / +4,0 mm
Pressure ⁽²⁾ (depth adjustment)	-1,0 / +1,0 mm	-1,5 / +1,5 mm	-1,5 / +1,5 mm
Max. front panel (cladding) size	5 mm	6 mm	7 mm
Fire resistant ⁽³⁾	E30, EI ₂ 30, EI ₁ 30, EW30		E60, EI ₂ 60, EI ₁ 60, EW60
Screw dia	max. 4,5	max. 5	max. 5

Advantages

- Concealed hinge
- 3D adjustment: easily adjustable for height, width and depth without removing the door
- Universal: can be used with left- or right-opening doors
- Compact dimensions
- Sturdy mounting prevents sagging, even after intensive use
- Fully mounted on plastic washers
- Fingers are protected because of the minimal space between the door and the frame
- Opening angle 180°
- Easy to install
- Durable: open and shutting movement cycle tests (min. 200,000)
- Milling dimensions are the same in door panel as in door frame.



Special applications

- Clean rooms (hospital, medical industry, etc.)
 - no lubrication or maintenance needed
 - optional: stainless steel fasteners and fittings (for outside use, swimming pools)
- Passive houses or low energy houses
 - air transit via the internal door can be optimised by adjusting the depth
 - because of its low thermal conductivity (lambda value), the *argenta® invisible colori* is ideal for passive houses or low energy houses
- Invisible aluminium frame for interior doors *argenta® invisidoor®*
 - in perfect harmony with the pure aesthetics of the *argenta® invisidoor®*

argenta[®] invisible neo

The Black Edition



argenta[®] invisible pro XS-4

Concealed and compact 2D adjustable hinge in wholesale packaging

